



SERVICE PARTS LIST

BULLETIN NO.
54-40-1155

SPECIFY CATALOG NO. AND SERIAL NO. WHEN ORDERING PARTS		REVISED BULLETIN 54-40-1154	DATE June '90
8-1/4" CIRCULAR SAW		WIRING INSTRUCTION 58-01-0755	
CATALOG NO. 6405	STARTING SERIAL NO. 552-71600		

EXAMPLE:

00/0

Component Parts (Small #)
Are Included When Ordering
The Assembly (Large #).

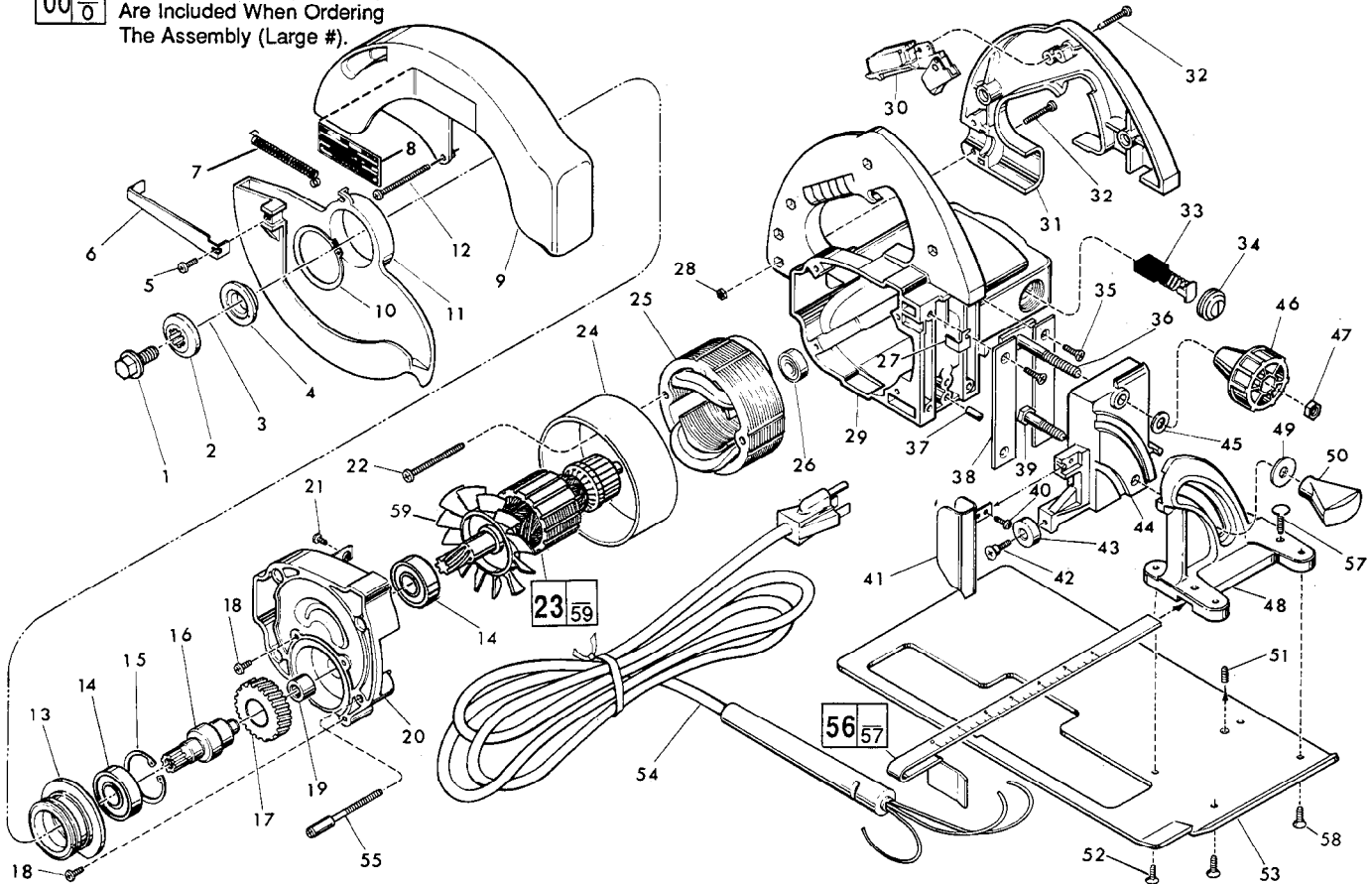


FIG.	PART NO.	DESCRIPTION OF PART	NO. REQ.
1	06-75-0474	Blade Screw	(1)
2	45-88-0286	Spindle Blade Retaining Washer	(1)
3	-----	8-1/4" Blade (Select From Catalog)	(1)
4	43-34-0251	Spindle Flange	(1)
★ 5	06-82-7252	8-32 x 3/8 Pan Hd. Slit. Taptite Torx Screw	(1)
6	43-62-0660	Lower Guard Handle	(1)
★ 7	40-50-2310	Lower Guard Spring	(1)
8	12-99-0340	Nameplate Blank	(1)
9	26-41-0570	Upper Guard	(1)
10	34-60-2210	Retaining Ring External	(1)
11	26-41-0560	Lower Guard	(1)
★ 12	06-82-7382	8-16 x 1-5/8" Plastite Pan Hd. Torx Screw	(3)
13	43-78-0250	Lower Guard Hub	(1)
★ 14	02-04-1748	Ball Bearing	(2)
15	34-80-2960	Retaining Ring-Internal	(1)
16	38-50-1075	Gear Spindle	(1)
17	32-75-3210	Spindle Gear	(1)
★ 18	06-82-7252	8-32 x 3/8" Pan Hd. Slit. Taptite Screw	(4)
19	02-50-2423	Needle Bearing	(1)
20	14-30-0280	Gear Case Assembly	(1)
21	06-81-8625	6-32 x 1/4" Ground Screw	(1)
22	06-95-0370	10-24 x 1-3/4" Pan Head Screw	(2)
★ 23	16-70-0291	120 V. Armature	(1)
24	23-16-0691	Field Insulating Sleeve	(1)
★ 25	18-70-0031	120 V. Field	(1)
26	02-04-0850	Ball Bearing	(1)
27	42-70-0200	Ground Clip	(1)
★ 28	06-55-0835	8-32 Hex Nut	(5)
29	31-50-0150	Motor Housing Assembly	(1)
★ 30	22-20-0350	Brush Inserts	(2)
31	23-66-0167	Switch	(1)
	31-44-0480	L.H. Handle	(1)

FIG.	PART NO.	DESCRIPTION OF PART	NO. REQ.
★ 32	06-82-2362	8-32 x 1" Pan Hd. Torx Screw	(5)
33	22-18-0550	Carbon Brush Assembly	(2)
34	23-44-0160	Brush Retaining Screw	(2)
35	06-95-3240	8-32 x 3/4" Fl. Hd. Screw	(4)
36	45-58-0250	Vertical Adjusting Stud	(1)
37	06-65-1580	3/16" x 1/2" Lg. Roll Pin	(1)
38	44-66-0650	Vertical Bracket Plate	(2)
39	45-58-0240	Angular Adjusting Stud	(1)
★ 40	06-82-7252	8-32 x 3/8" Pan Hd. Slit. Taptite Torx Screw	(1)
41	43-54-0330	Front Blade Guard Assembly	(1)
42	45-04-0485	Guard Bumper Screw	(1)
43	42-38-0075	Rubber Bumper	(1)
44	28-10-0670	Vertical Adjusting Bracket	(1)
45	45-88-0660	Angular Adjusting Washer	(1)
46	43-98-0190	Vertical Adjusting Knob	(1)
47	06-55-1985	5/16-18 Hex Nut	(1)
48	28-10-0660	Angular Adjusting Bracket	(1)
49	45-88-0650	Angular Adjusting Washer	(1)
50	43-98-0240	Depth Adjusting Knob	(1)
51	06-83-0801	8-32 x 3/8" Hdl. Set Screw	(1)
52	06-95-3241	8-32 x 1/2" Fl. Hd. Screw	(1)
53	45-16-0330	Saw Shoe	(1)
54	22-64-0775	Cord Set	(1)
55	06-95-0267	Shoulder Screw	(1)
★ 56	49-22-4150	Rip Fence Kit (Optional)	(1)
★ 57	06-87-2450	Thumb Screw (Optional)	(2)
58	06-95-3250	8-32 x 5/8" Flat Hd. Phil. Dr. Screw	(3)
★ 59	22-84-0655	Fan Assembly	(1)
	49-96-6200	9/16" Wrench	(1)
★	10-98-6131	Warning Label	(1)

FIG. LUBRICATION
20 1/2 Oz. Type "O" Grease. No. 49-08-4200.

MILWAUKEE ELECTRIC TOOL CORPORATION
13135 W. LISBON RD., BROOKFIELD, WI 53005