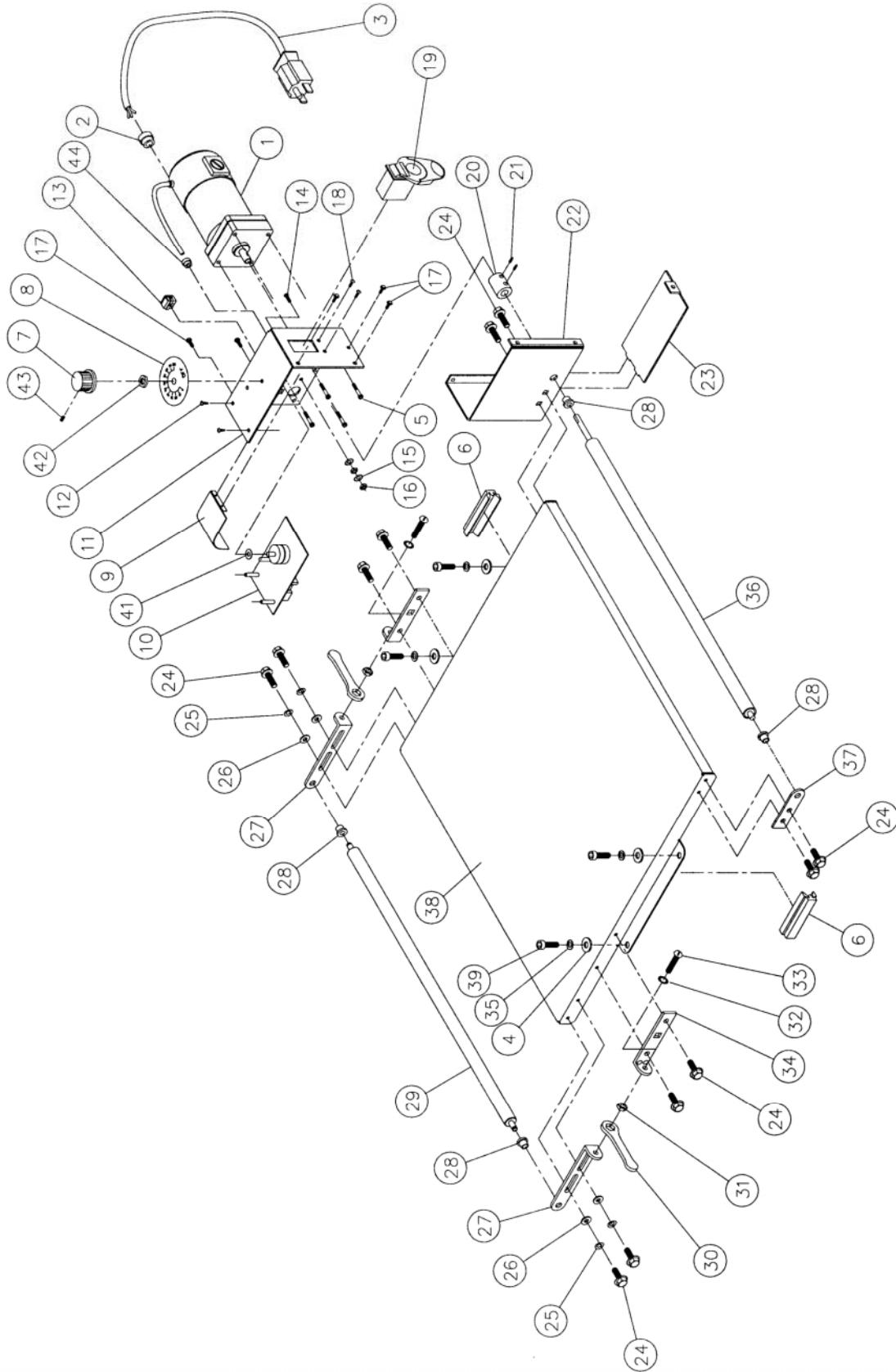


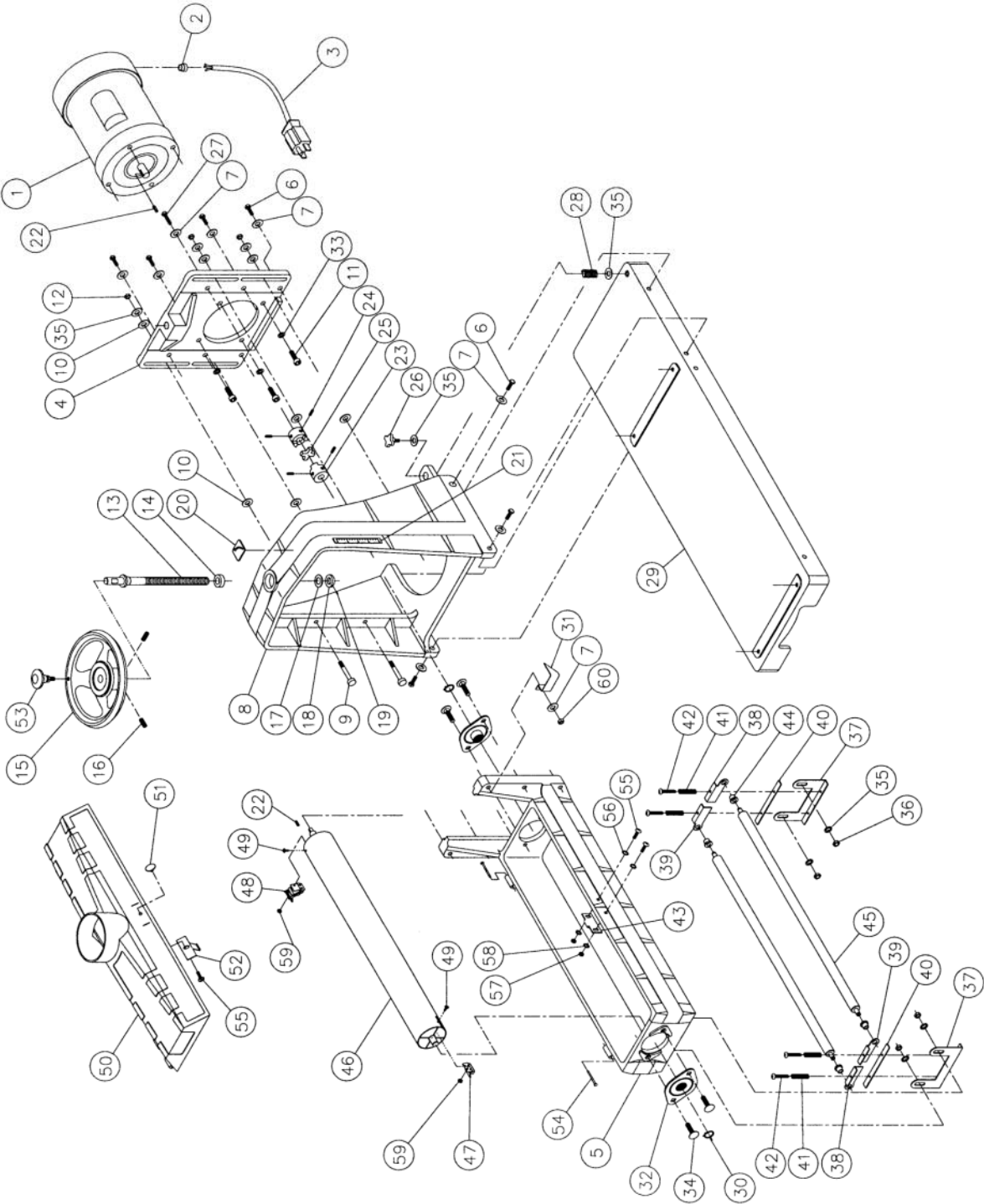
Conveyor and Motor Assembly



Parts List: Conveyor and Motor Assembly

Index No.	Part No.	Description	Size	Qty
1	323759	Gear Motor	90 Volt DC	1
2	72-6014	Strain Relief		1
3	72-5336	Cord Set	110-120V-75"	1
4	TS-0680031	Flat Washer	5/16	4
5	10-4010-08	Socket Head Cap Screw	#10-32x1/2"	4
6	98-0080	Tracker Kit		2
7	72-2250-01	Knob		1
8	72-2250-02	Speed Adjusting Label		1
9	40-4018	Wiring Guard		1
10	72-2250	SandSmart Controller		1
11	40-4904	Controller Housing Bracket		1
12	20-0777	Pan Head Self-Tapping Screw	5/32x1/2"	2
13	72-2120	Receptacle, 110-120Volt		1
14	TS-081D022	Pan Head Machine Screw	#10-32x1/2"	1
15	TS-073203	Lock Washer, Internal Tooth	#10	2
16	TS-0560081	Hex Nut	#10-32	2
17	10-9002	Slotted Hex Head Screw	#10-32x1/2"	5
18	10-3103	Phillips Pan Head Screw	#6-32x1/2	2
19	JSG96-135	ON/OFF Drum Switch		1
20	30-0122	Shaft Coupler		1
21	10-4010-04	Set Screw	1/4-20x1/4"	2
22	40-4903	Controller Base Bracket		1
23	40-4022W	Control Housing Base Cover		1
24	10-4004-12	Hex Washer Head Bolt	1/4-20x3/4"	12
25	20-1161-01	Wave Washer	1/4"	4
26	11-1002-04	Flat Washer	1/4"	4
27	41-0003	Take Up-Slide Bracket (includes #28)		2
28	50-3105	Oilite Bushing	5/16" I.D.	4
29	30-3010-10	Driven Roller		1
30	40-0260	Wrench		2
31	12-2000-04	Hex Nut	1/4-20	2
32	11-1000-04	Lock Washer, Internal Tooth	1/4"	2
33	10-4007-24	Slotted Round Head Screw	1/4-20x1-3/4"	2
34	40-4004	Take-Up Bracket Base		2
35	TS-0720081	Lock Washer	5/16	4
36	30-3010-11	Rubber Covered Drive Roller		1
37	41-0005	Drive Roller Support Bracket (includes #28)		1
38	40-4010-01	Conveyor Bed		1
39	TS-0208041	Socket Head Cap Screw	5/16-18x3/4"	4
40	60-0322-P	Belt Conveyor (Not Shown)		1
41	72-2250-03	Flat Washer	5/16	1
42	72-2250-04	Hex Nut	5/16-24	1
43	72-2250-05	Slotted Set Screw	#8-36UNF x 5/16"	1
44	72-6101	Small Strain Relief		1

Drum Head Assembly

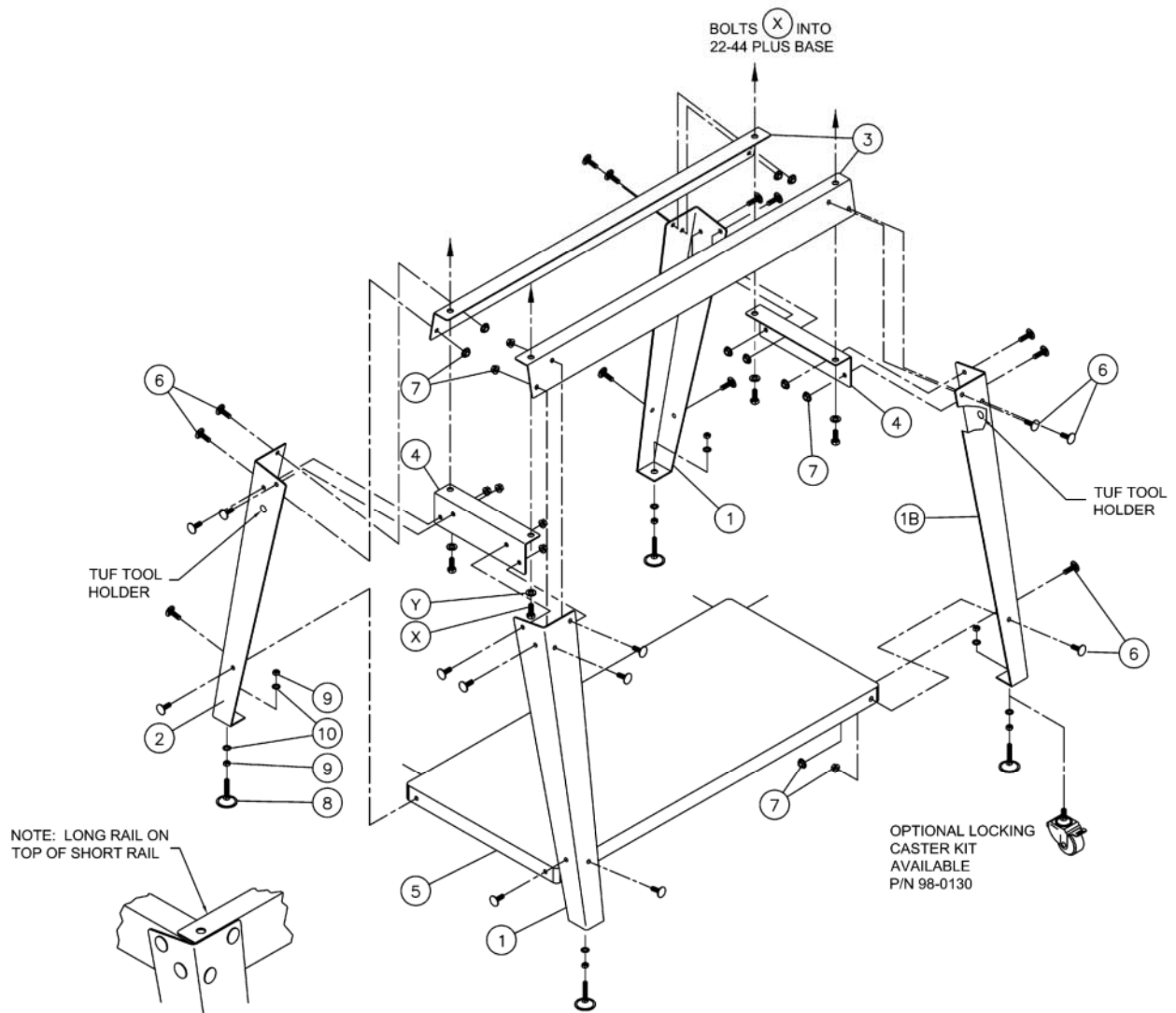


Parts List: Drum Head Assembly

Index No.	Part No.	Description	Size	Qty
1	70-4102	Motor, 1-3/4 HP, 110-120 Volt w/Cord		1
1A	70-4102MFC	Motor Fan Cover		1
2	72-6104	Strain Relief		1
3	72-5345	Cord, Motor To Control Box		1
4	30-9025	Motor Mount Slide		1
5	30-9024	Drum Carriage		1
6	TS-0060061	Hex Cap Screw	3/8-16x1-1/4"	9
7	TS-0680041	Flat Washer	3/8"	11
8	30-9023	Shroud		1
9	30-9026	Stud	5/16-24x1-3/4"	4
10	50-3090-01	Oilite Washer	5/16" I.D.	8
11	TS-0209061	Socket Head Cap Screw	3/8-16x1-1/4"	4
12	12-2003-05	Nylon Insert Lock Hex Nut	5/16-24	4
13	30-9027	Screw, Height Adjustment	5/8-18UNC	1
14	50-9000	Thrust Bearing	51103	1
15	30-9028	Height Adjustment Handwheel		1
16	TS-0270051	Socket Set Screw	5/16-18x1/2"	2
17	80-2324	Nylon Flat Washer	5/8" I.D.	1
18	20-1180-02	Locking Shaft Collar		1
19	10-4020-04	Socket Head Set Screw (Collar)	5/16-18x1/4"	2
20	94-1668	Label, Height-Direction		1
21	94-2270	Label, Depth Gauge	4"	1
22	20-0762-02	Key	3/16 SQ x3/4"	2
23	50-2207	Coupling		2
24	10-4010-04	Set Screw	1/4-20x1/4"	4
25	50-2209	Coupling Spider		1
26	80-3138	Fine Tune Adjustment Knob		1
27	TS-0060081	Hex Cap Screw	3/8-16x1-3/4"	1
28	20-3216	Spring		1
29	30-9022	Conveyor Mounting Base		1
30	20-0778	Retaining Ring	STW25	2
31	40-3169	Depth Gauge Pointer		1
32	50-3089	Drum Bearing	NTN 6205	2
33	TS-0720091	Lock Washer	3/8"	4
34	10-1205	Carriage Head Bolt	5/16-18x1"	4
35	11-0206	Lock Washer	5/16"	9
36	12-2000-05	Hex Nut	5/16-18	5
37	40-0304	Tension Roller Bracket		2
38	40-0308-01	Tension Roller Bracket - Right		2
39	40-0308-02	Tension Roller Bracket - Left		2
40	80-1060	Tension Roller Bracket Pad		2
41	20-3211	Tension Roller Spring		4
42	10-4008-16	Phillips Fillister Head Screw	#8-32x1"	4
43	40-3166	Dust Cover Catch		1
44	50-3105	Oilite Bushing	5/16" I.D.	4
45	30-3051-06	Tension Roller		2
46	30-3002	Sanding Drum		1
47	21-1173	Outboard Abrasive Fastener		1
48	21-1172	Inboard Abrasive Fastener		1
49	10-3003	Phillips Flat Head Screw	6-32x3/8"	2
50	80-2003	Dust Cover		1
51	80-3137	Dust Cover Knob		1
52	40-3168	Dust Cover Latch		1
53	80-3131	Knob		1
54	2244PLUS-254	Hinge Pin	#3x80	2
55	2244PLUS-255	Pan Head Machine Screw	1/4-20x3/4"	3

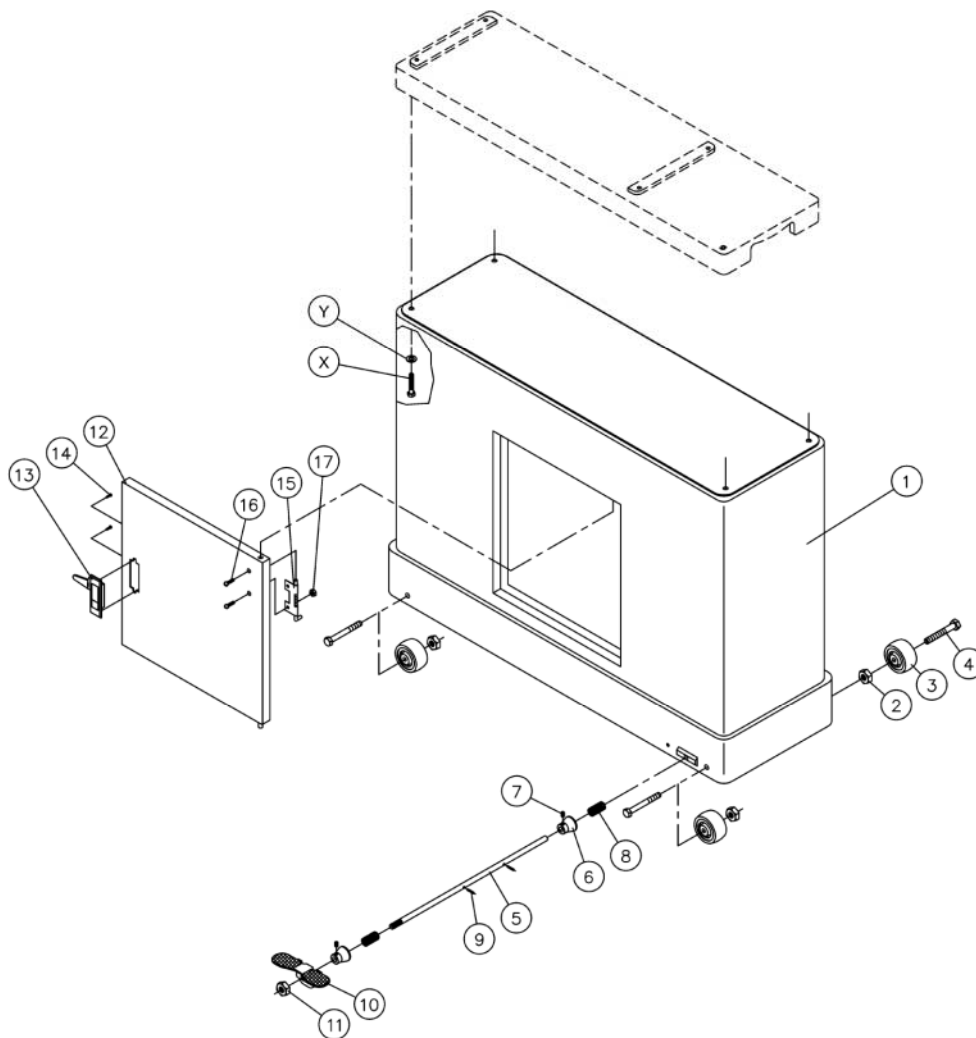
56	11-1000-04	Lock Washer, Internal Tooth	1/4"	2
57	12-2000-04	Hex Nut	1/4-20	2
58	11-1002-04	Flat Washer	1/4	2
59	12-9001	Nylon Insert Lock Hex Nut	#6-32	2
60	2244PLUS-260	Hex Nut	3/8-16	1
61	98-0060	TufTool (not shown)		1

Parts List: Open Stand – #609004 (Optional Accessory)



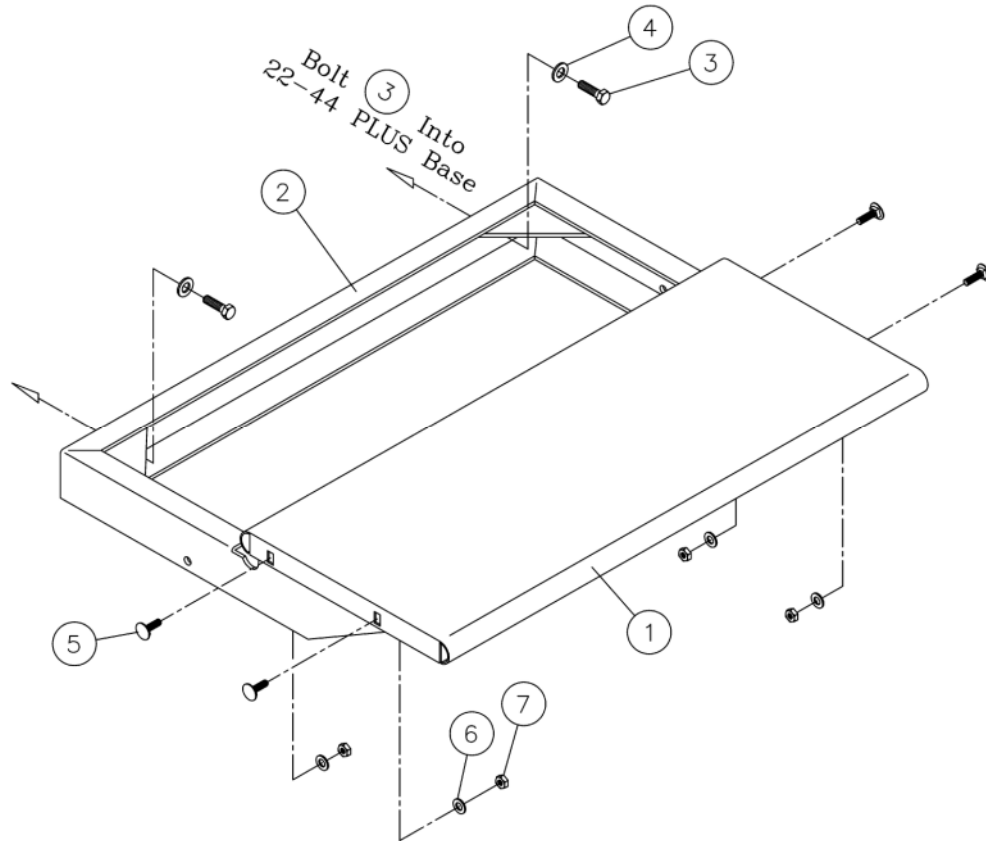
Index No.	Part No.	Description	Size	Qty.
1.....	40-4040	Leg, Left.....		2
2.....	40-4041	Leg, Right (with TUF tool holder)		2
3.....	2244PLUS-303.....	Rail, Long.....		2
4.....	2244PLUS-304.....	Rail, Short.....		2
5.....	2244PLUS-305.....	Shelf		1
6.....	10-1206	Carriage Bolt	5/16-18x5/8"	24
7.....	12-0207	Nut, Flanged Lock.....	5/16"	24
8.....	20-0655	Leveling Foot.....		4
9.....	12-0005	Hex Nut.....	3/8"-16.....	8
10.....	11-9103	Flat Washer.....	3/8.....	8

Parts List: Closed Stand – #609005 (Optional Accessory)



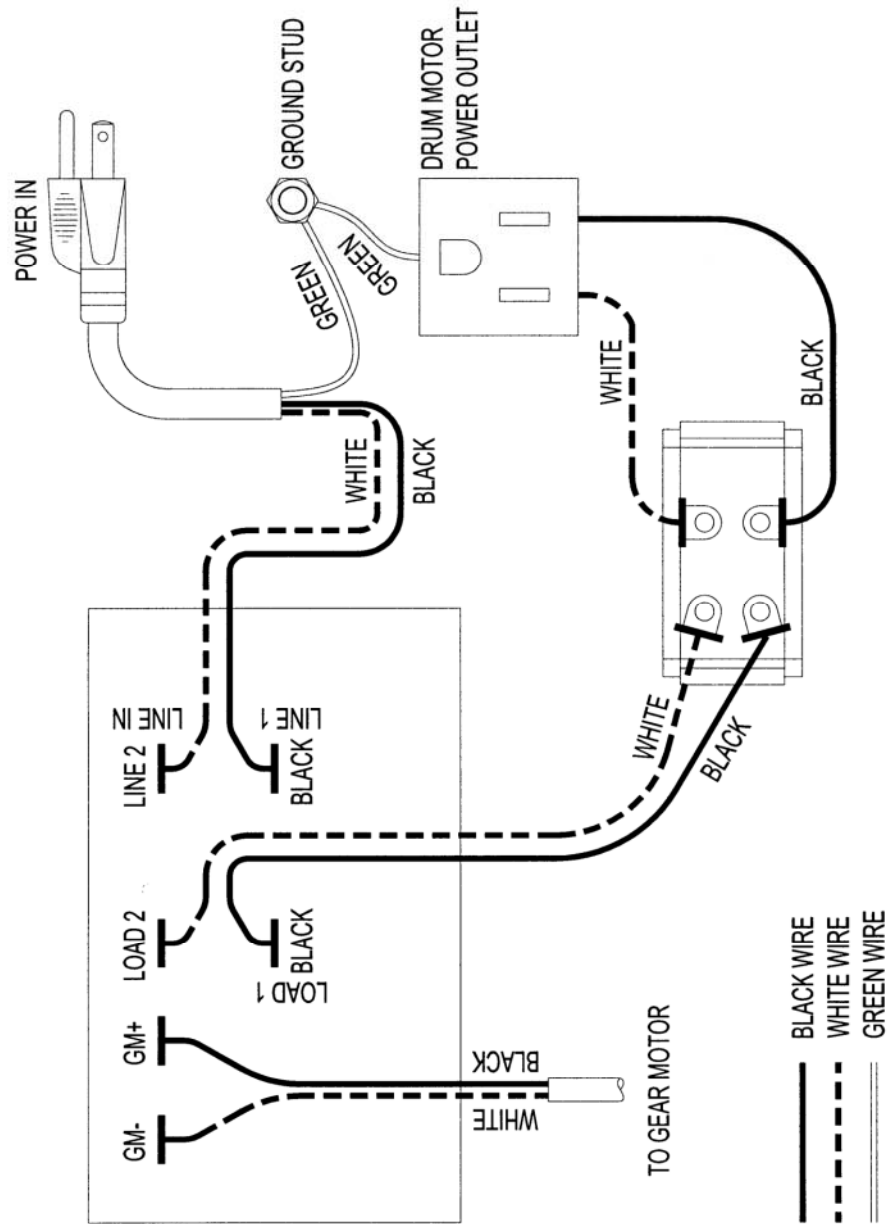
Index No.	Part No.	Description	Size	Qty
1.....	2244PLUS-401	Base		1
2.....	JSG96-302	Lock Nut	3/8	4
3.....	PJE-S05	Wheel		4
4.....	JSG96-304	Hex Head Screw	3/8-16x2-1/2	4
5.....	2244PLUS-405	Shaft		1
6.....	PJN-S04	Eccentric Cam		2
7.....	JSG96-307	Set Screw	M6x10	2
8.....	JSG96-308	Spring		2
9.....	JSG96-309	Roll Pin	4x16	2
10.....	PJN-S02	Foot Brake		1
11.....	JSG96-311	Lock Nut	M10x1.5	1
12.....	2244PLUS-412	Door		1
13.....	JSG96-319	Latch		1
14.....	JSG96-320	Screw	M3x4	2
15.....	JSG96-321	Door Pivot		1
16.....	JSG96-127	Screw	1/4x3/8	2
17.....	TS-0561011	Hex Nut	1/4	2

Parts List: Infeed and Outfeed Tables – #98-2202 (Optional Accessory)



Index No.	Part No.	Description	Size	Qty.
1	2244PLUS-501	Table		2
2	2244PLUS-502	Base Bracket		2
3	TS-0060051	Hex Cap Screw	3/8"-16UNC x 1"	4
4	TS-0680041	Flat Washer	3/8"	4
5	2244PLUS-505	Carriage Bolt	1/4"-20UNC x 3/4"	8
6	TS-0680021	Flat Washer	1/4"	8
7	TS-0561011	Hex Nut	1/4"	8

Electrical Connections



WALTER MEIER (Manufacturing) Inc.

427 New Sanford Road
 LaVergne, Tennessee 37086
 Phone: 800-274-6848
www.waltermeier.com