



# SERVICE PARTS LIST

**BULLETIN NO.**  
**54-40-0751**

<b>SPECIFY CATALOG NO. AND SERIAL NO. WHEN ORDERING PARTS</b>		<b>REVISED BULLETIN</b> 54-40-0750	<b>DATE</b> Jan. '97
<b>TRIGGER SPEED CONTROL SAWZALL</b>			
<b>CATALOG NO.</b>	<b>6507</b>	<b>STARTING SERIAL NO.</b>	<b>631D</b>
		<b>WIRING INSTRUCTION</b> <b>58-01-0257</b>	

**EXAMPLE:**  
Component Parts (Small #)  
Are Included When Ordering  
The Assembly (Large #).

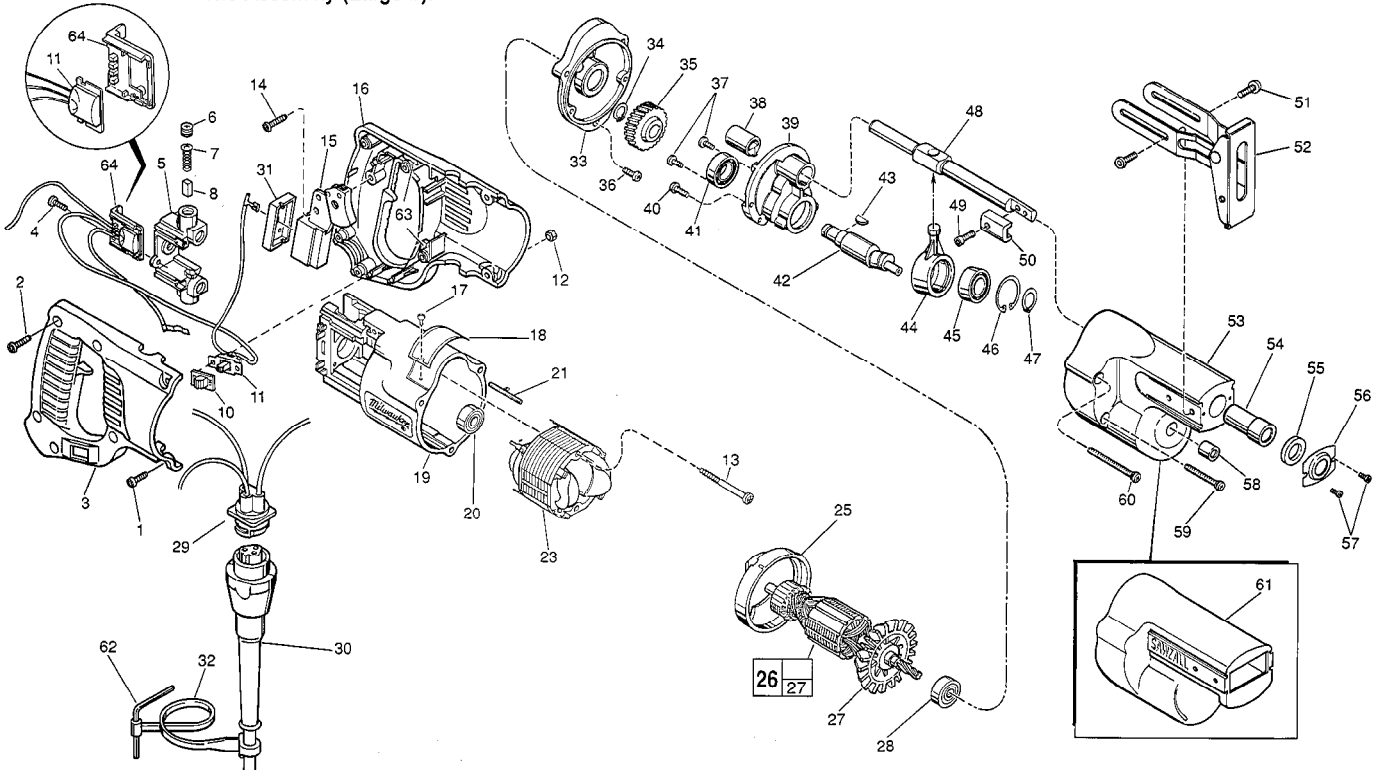


FIG.	PART NO.	DESCRIPTION OF PART	NO. REQ.	FIG.	PART NO.	DESCRIPTION OF PART	NO. REQ.
1	06-82-2390	8-32 x 1-1/4" Pan Hd. Slotted T-20	(2)	39	28-72-1002	Bearing Plate	(1)
2	06-82-7270	8-16 x 5/8" Pan Hd. Plastite T-20	(5)	40	06-82-3056	8-32 x 1/2" Fil. Taprite T-20	(2)
3	31-44-1661	Right Handle Half	(1)	41	02-04-1510	Ball Bearing	(1)
4	06-82-7240	6-19 x 1/2" Pan Hd. Slotted Plastite T-15	(2)	42	36-92-0720	Wobble Shaft	(1)
5	22-22-1380	Brush Holder Assembly	(1)	43	06-42-1200	Woodruff Key	(1)
6	23-44-0190	Brush Retaining Cap	(2)	44	30-72-0060	Wobble Plate	(1)
7	23-52-0160	Brush Spring	(2)	45	02-04-1510	Ball Bearing	(1)
8	22-16-0275	Carbon Brush	(2)	46	34-80-2355	Internal Retaining Ring	(1)
10	31-12-0190	Switch Cap	(1)	47	34-60-1200	Retaining Ring	(1)
11	14-20-0281	Switch Assembly	(1)	48	38-50-5410	Reciprocating Spindle	(1)
12	06-55-0835	8-32 Hex Nut	(2)	49	06-75-2402	10-32 x 9/16" Socket Hd. Cap Screw	(1)
13	06-82-7410	8-16 x 1-7/8" Pan Hd. Plastite T-20	(2)	50	42-68-0073	Blade Clamp	(1)
14	06-82-7270	8-16 x 5/8" Pan Hd. Plastite T-20	(1)	51	06-95-6270	10-24 x 1/2" Pan Hd. Taprite Sems	(4)
15	23-66-1490	Switch	(1)	52	45-16-0495	Pivot Shoe Assembly	(1)
16	31-44-1666	Left Handle Half	(1)	53	28-14-1780	Gear Case	(1)
17	06-72-1720	Nameplate Rivet	(2)	54	42-24-0320	Spindle Bearing	(1)
18	12-99-1730	Service Nameplate	(1)	55	45-06-0300	Felt Seal	(1)
19	31-50-0020	Motor Housing	(1)	56	44-86-0370	Seal Retainer	(1)
20	02-04-0845	Ball Bearing	(1)	57	06-95-0050	4-40 x 3/16" Pan Hd. Taprite Screw	(2)
21	44-60-0530	Ground Pin	(1)	58	02-50-1640	Needle Bearing	(1)
23	18-31-0200	120V Field	(1)	59	06-82-3154	8-32 x 1-3/8" Fil. Hd. Taprite T-20	(2)
25	31-05-0055	Baffle	(1)	60	05-88-8305	K50 x 54mm Fil. Hd. PT T-20	(2)
26	16-30-0425	120 V. Armature	(1)	61	45-12-0305	Gear Case Insulator	(1)
27	22-84-0531	Fan Assembly	(1)	62	49-96-0070	5/32" Socket Wrench	(1)
28	02-04-0911	Ball Bearing	(1)	63	14-46-1001	Foam Slug Kit (10 Slugs)	(2)
★ 29	14-46-0840	Pin Housing Assembly Kit	(1)	64	43-72-0176	Heat Sink Holder	(1)
★ 30	48-76-4008	Cord Set	(1)				
31	45-12-0470	Dust Shield	(1)				
32	48-66-4080	Key Holder	(1)				
33	28-28-0350	Diaphragm	(1)				
34	34-60-0920	External Retaining Ring	(1)				
35	32-40-1920	Intermediate Gear	(1)				
36	05-88-8306	K50 x 22mm Fil. Hd. PT T-20	(1)				
37	06-95-0075	6-32 x 3/8" Truss Hd. Taprite Screw	(2)				
38	42-24-0250	Rear Spindle Bearing	(1)				

**FIG. NOTES**  
34,46,47 Burr Side Out.  
38 V-Notch Press In From Diaphragm Side.  
40 Apply Type 242 Blue Loctite.

**FIG. LUBRICATION**  
35, 39 1/2 Oz. Type "A" Lubricant, No. 49-08-0800.  
53 2-1/2 Oz. Type "B" Lubricant, No. 49-08-0600.

**MILWAUKEE ELECTRIC TOOL CORPORATION**  
13135 W. LISBON RD., BROOKFIELD, WI 53005