



# SERVICE PARTS LIST

**BUL.54-40-4200**

## TWO-SPEED SAWZALL

REVISED BUL 6284-1      DATE Feb. '68

**Catalog No. 6510**

Starting Serial No. **284-1001**

WIRING INSTR.

*Both Model and Serial No. must be furnished to obtain correct parts.*

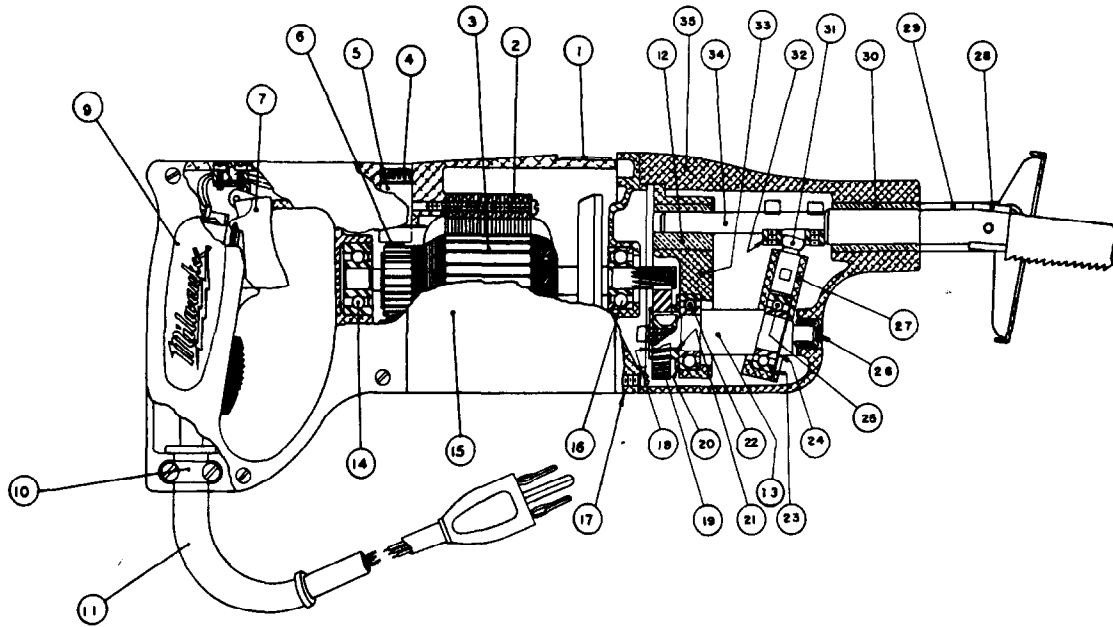


FIG.	PART NO.	DESCRIPTION OF PART
1	12-98-3000	Name Plate
2	18-42-1120	Field Assembly
3	16-42-1170	Armature Assembly
4	23-44-0060	Brush Retaining Screw
5	22-22-0080	Brush Holder Assembly
6	22-18-0100	Carbon Brush Assemblies
7	23-66-0370	Switch
9	28-20-3151	Handle Cover
10	28-17-0400	Cord Clamp Strap
11	22-64-0170	Cord Set
12	42-24-0101	Spindle Bearing
13	36-92-0601	Wobble Shaft
14	02-04-0960	Ball Bearing
15	28-50-4485	Motor Housing
16	02-04-0940	Ball Bearing
17	28-28-0341	Diaphragm
18	45-88-0180	Gear Retaining Washer

**ILLUSTRATED PARTS**

FIG.	PART NO.	DESCRIPTION OF PART
19	32-40-1101	Intermediate Gear
20	44-86-0090	Bearing Retainer
21	45-36-0121	Gear Spacer
22	02-04-1510	Ball Bearing
23	34-80-2300	Retaining Ring
24	34-60-1200	Retaining Ring
25	02-04-1510	Ball Bearing
26	02-50-1640	Needle Bearing
27	28-72-9001	Wobble Plate
28	42-68-0071	Blade Clamp
29	45-16-0055	Pivot Shoe Assembly
30	42-24-0091	Spindle Bearing
31	45-58-0050	Ball End Stud
32	42-28-0050	Reciprocating Spindle Block
33	28-72-1001	Bearing Plate
34	38-50-2001	Reciprocating Spindle
35	28-14-0562	Gear Case

**MISCELLANEOUS PARTS NOT SHOWN**

PART NO.	DESCRIPTION OF PART	PART NO.	DESCRIPTION OF PART
23-86-0110	Brush Holder Insul. Washer (Fiber) (2)	06-81-9525	10-24x1/2" Truss Hd. Shoe Bracket Scs. (Sems) (4)
45-30-0050	Shock Absorber Slug	06-81-2500	6-32x3/8" Flat Hd. Bearing Retainer Screws (2)
06-81-5800	6-32x5/16" Fil. Hd. Sem Switch Mtg. Scs. (2)	06-81-0900	8-32x7/16" Fil. Hd. Spindle Block Screws (2)
06-81-8400	4-40x1/4" Rd. Hd. Name Plate Scs. (Sems) (2)	06-81-0900	8-32x7/16" Fil. Hd. Diaphragm Screw
06-83-2645	1/4"-20x3/8" Socket Hd. Hd'less Set Sc. (Self Locking)	06-81-6500	8-32x1-3/8" Fil. Hd. Gear Case Screws (Sems) (2)
06-83-2650	1/4"-20x3/8" Brush Holder Set Screw (2)	06-81-6650	8-32x1-3/4" Fil. Hd. Gear Case Screws (Sems) (2)
06-81-8625	6-32x1/4" Rd. Hd. Ground Wire Sc. (Brass) (Sem)	06-81-6600	8-32x1-3/4" Fil. Hd. Field Screws (Sems) (2)
06-75-2400	10-32x1/2" Socket Head Screws (4)	06-81-3700	8-32x7/8" Oval Hd. Handle Cover Screws (4)
23-86-0050	Rubberized Retaining Washer	06-81-6150	8-32x1/2" Fil. Hd. Cord Clamp Strap Scs. (Sems) (2)
49-96-0070	Socket Screw Wrench	42-70-0050	Spring Clip
		06-81-8600	6-32x3/16" Rd. Hd. Sems Spring Clip Screw

Numbers in brackets indicate number required.