



SERVICE PARTS LIST

TWO SPEED SAWZALL

BUL. 54-40-4252

REVISED BUL. 54-40-4251 DATE June '77

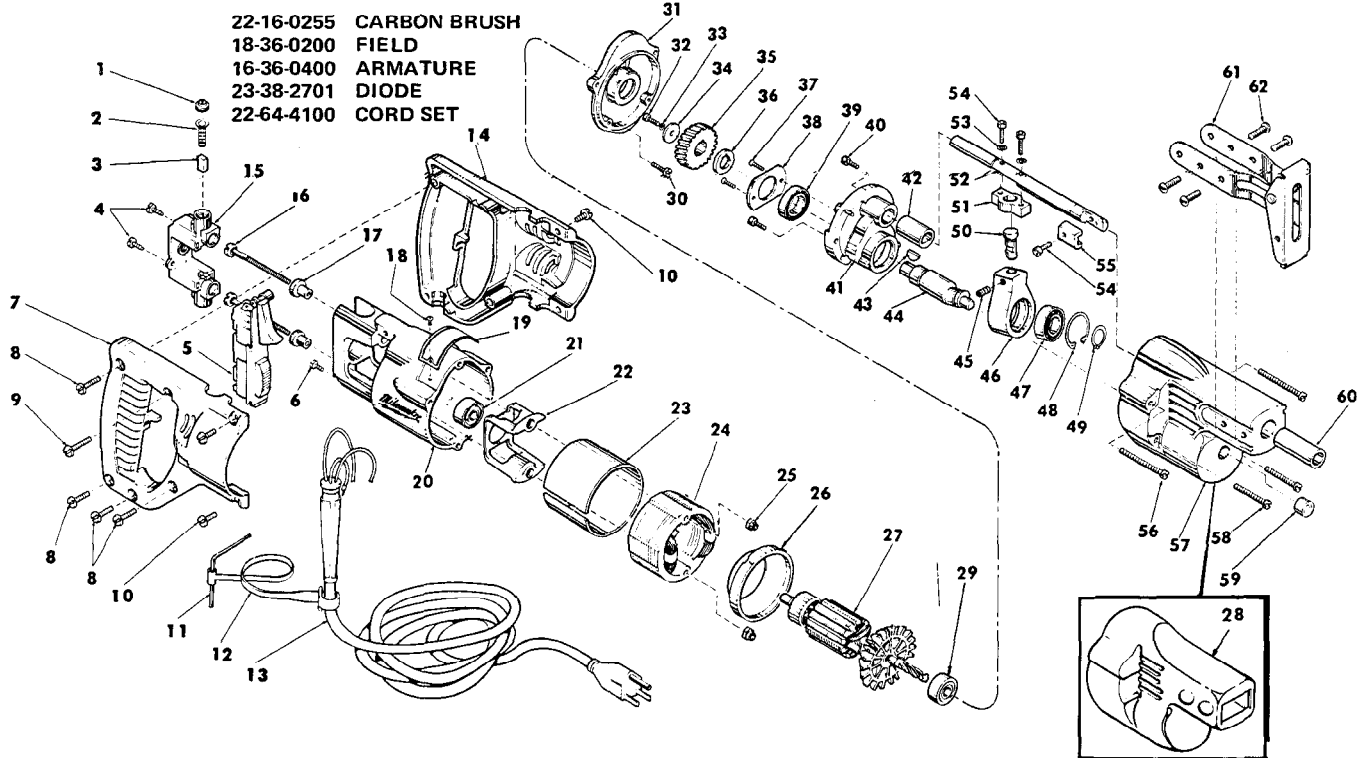
Catalog No. 6511

Starting Serial No. **460-130000**

WIRING INSTRUCTIONS
58-01-0238

Specify Catalog and Serial No. when ordering parts

FOR CAT. NO. 6511-2 (240V) TOOL USE:



- 22-16-0255 CARBON BRUSH
- 18-36-0200 FIELD
- 16-36-0400 ARMATURE
- 23-38-2701 DIODE
- 22-64-4100 CORD SET

FIG.	PART NO.	DESCRIPTION OF PART	NO. REQ.	FIG.	PART NO.	DESCRIPTION OF PART	NO. REQ.
1	23-44-0120	Brush Retaining Screw	(2)	33	06-97-3400	Lock Washer	(1)
2	23-52-0160	Brush Spring	(2)	34	45-88-0180	Retaining Washer	(1)
3	22-16-0250	Carbon Brush	(2)	35	32-40-1101	Intermediate Gear	(1)
4	06-81-5475	6-32x3/8 Binding Hd. Sem	(2)	36	45-36-0121	Gear Spacer	(1)
5	23-66-0751	Switch	(1)	37	06-81-2500	6-32x3/8 Flat Hd. Screw	(2)
6	06-81-8625	6-32x1/4 Ground Screw	(1)	38	44-86-0090	Bearing Retainer	(1)
★ 7	31-44-0325	R.H. Half D Handle	(1)	39	02-04-1510	Ball Bearing	(1)
8	06-81-0400	8-32x3/4 Pan Hd. Screw	(4)	40	06-81-6150	8-32x1/2 Fil. Hd. Sem	(2)
9	06-81-0472	8-32x1 Pan Hd. Screw	(1)	41	28-72-1001	Bearing Plate	(1)
10	06-81-0047	8-32x1/2 Pan Hd. Screw	(4)	42	42-24-0101	Spindle Bearing	(1)
11	49-96-0070	5/32 Socket Wrench	(1)	43	06-42-1200	Woodruff Key	(1)
12	48-66-4080	Key Holder	(1)	44	36-92-0601	Wobble Shaft	(1)
13	22-64-0385	Cord Set	(1)	★ 45	06-83-2650	1/4-20x3/8 Set Screw	(1)
14	31-44-0321	L.H. Half D Handle	(1)	46	28-72-9001	Wobble Plate (Incls. Fig. No. 45)	(1)
15	22-22-0300	Brush Holder Assembly	(2)	47	02-04-1510	Ball Bearing	(1)
★ 16	06-81-1055	8-32x2-3/16 Field Bolt	(2)	48	34-80-2355	Retaining Ring	(1)
17	31-86-0120	Insulating Spacer	(2)	49	34-60-1200	Retaining Ring	(1)
18	06-85-0200	6x1/4 Rd. Hd. Type Z Screw	(2)	50	45-58-0050	Ball End Stud	(1)
19	12-99-0031	Nameplate	(1)	51	30-10-1010	Spindle Block	(1)
20	28-50-6147	Motor Housing	(1)	52	38-50-2002	Spindle	(1)
21	02-04-0891	Ball Bearing	(1)	53	06-97-3400	Lock Washer	(2)
★ 22	31-55-0030	Coil Shield	(1)	54	06-75-2400	10-32x1/2 Skt. Hd. Screw	(3)
23	23-16-0455	Field Insulator	(1)	55	42-68-0073	Blade Clamp	(1)
★ 24	18-30-0200	120 V. Field	(1)	56	06-81-6707	8-32x1-7/8 Fil. Hd. Sem	(2)
25	06-57-2975	8-32 Flexlock Hex Nut	(2)	57	28-14-0571	Gear Case	(1)
26	31-05-0050	Baffle	(1)	58	06-81-6502	8-32x1-3/8 Fil. Hd. Sem	(2)
★ 27	16-30-0400	120 V. Armature	(1)	59	02-50-1640	Needle Bearing	(1)
★ 28	45-12-0300	Gear Case Insulator	(1)	60	42-24-0091	Spindle Bearing	(1)
29	02-04-0940	Ball Bearing	(1)	61	45-16-0055	Pivot Shoe Assembly	(1)
30	06-81-6202	8-32x5/8 Fil. Hd. Sem	(1)	62	06-81-9525	10-24x1/2 Truss Head Sem	(4)
31	28-28-0342	Diaphragm	(1)	63	23-38-2700	Diode For Switch (Not Shown)	(1)
32	06-75-2400	10-32x1/2 Skt. Hd. Screw	(1)	64	12-98-7081	Caution Plate (Not Shown)	(1)