



SERVICE PARTS LIST

BULLETIN NO.
54-40-4262

SPECIFY CATALOG NO. AND SERIAL NO. WHEN ORDERING PARTS		REVISED BULLETIN	DATE
TWO SPEED SAWZALL		54-40-4261	Apr. '96
CATALOG NO.	6511	STARTING SERIAL NO.	460B
		WIRING INSTRUCTION	
		58-01-0263	

EXAMPLE:
Component Parts (Small #)
Are Included When Ordering
The Assembly (Large #).

00
0

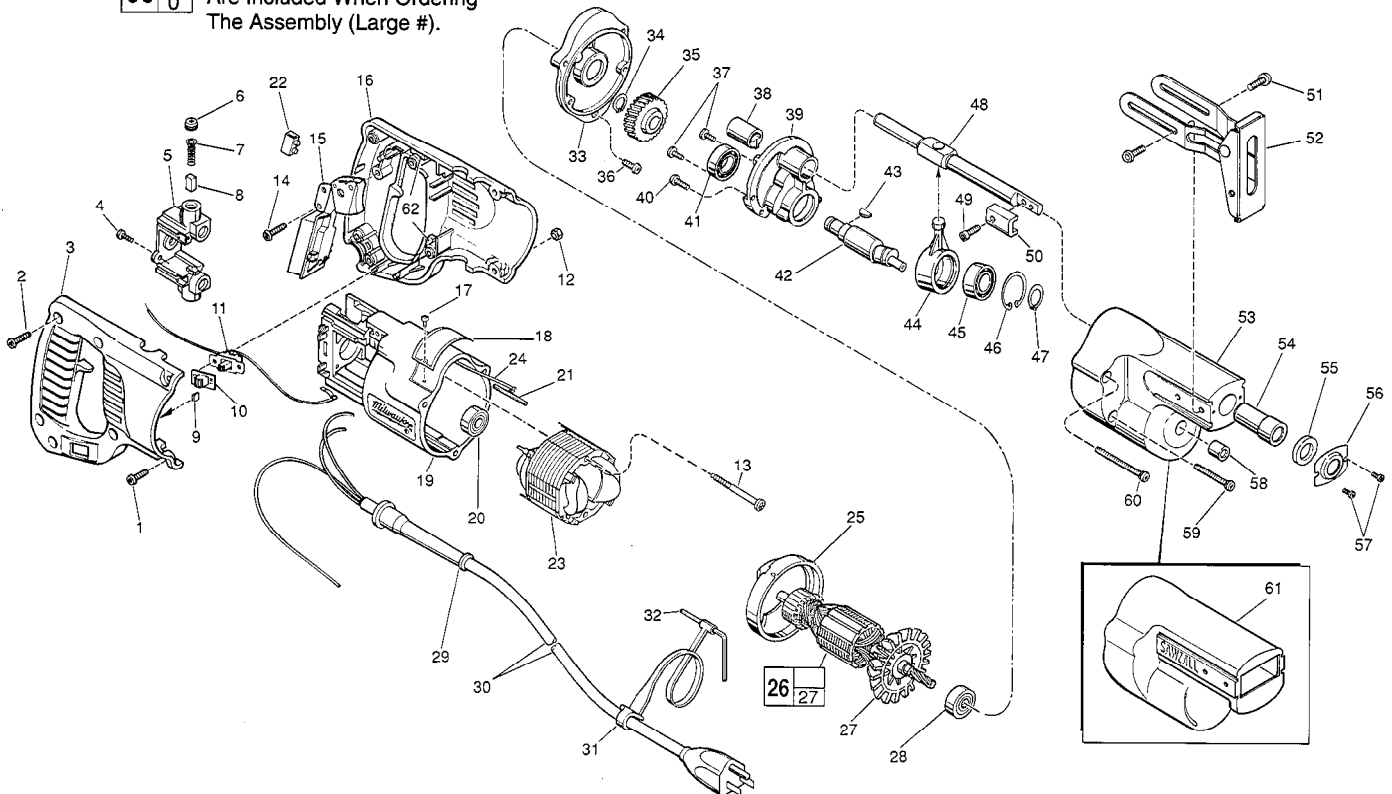


FIG.	PART NO.	DESCRIPTION OF PART	NO. REQ.
★	1	06-82-2390 8-32 x 1-1/4" Pan Hd. Slotted T-20	(2)
	2	06-82-7270 8-16 x 5/8" Pan Hd. Plastite T-20	(5)
	3	31-44-1651 Right Handle Half	(1)
★	4	06-82-7240 6-19 x 1/2" Pan Hd. Slotted Plastite T-15	(2)
	5	22-22-1380 Brush Holder Assembly	(1)
	6	23-44-0190 Brush Retaining Cap	(2)
	7	23-52-0160 Brush Spring	(2)
	8	22-16-0275 Carbon Brush	(2)
	9	42-38-0240 Bumper	(2)
	10	31-12-0190 Switch Cap	(1)
★	11	23-66-2025 Switch Assembly	(1)
★	12	06-55-0835 8-32 Hex Nut	(2)
★	13	06-82-7410 8-16 x 1-7/8" Pan Hd. Plastite T-20	(2)
	14	06-82-7270 8-16 x 5/8" Pan Hd. Plastite T-20	(1)
	15	23-66-0167 On - Off Switch	(1)
	16	31-44-1656 Left Handle Half	(1)
	17	06-72-1720 Nameplate Rivet	(2)
	18	12-99-1730 Service Nameplate	(1)
★	19	31-50-0020 Motor Housing	(1)
	20	02-04-0845 Ball Bearing	(1)
★	21	44-60-0530 Ground Pin	(1)
★	22	22-56-0456 Terminal Block	(1)
	23	18-31-0200 120 V. Field	(1)
★	24	23-94-6100 Ground Wire Assembly	(1)
★	25	31-05-0055 Baffle	(1)
	26	16-30-0425 120 V. Armature	(1)
	27	22-84-0531 Fan Assembly	(1)
	28	02-04-0911 Ball Bearing	(1)
	29	44-76-0210 Cord Protector	(1)
	30	22-64-3190 Cord Set	(1)
	31	48-66-4080 Key Holder	(1)
	32	49-96-0070 5/32" Socket Wrench	(1)
	33	28-28-0350 Diaphragm	(1)
	34	34-60-0920 External Retaining Ring	(1)
	35	32-40-1920 Intermediate Gear	(1)
★	36	05-88-8306 K50 x 22mm Fil. Hd. PT T-20	(1)
	37	06-95-0075 6-32 x 3/8" Truss Hd. Taptite Screw	(2)
	38	42-24-0250 Rear Spindle Bearing	(1)
	39	28-72-1002 Bearing Plate	(1)

FIG.	PART NO.	DESCRIPTION OF PART	NO. REQ.
	40	06-82-0020 8-32 x 1/2" Fil. Hd. Taptite T-20	(2)
	41	02-04-1510 Ball Bearing	(1)
	42	36-92-0720 Wobble Shaft	(1)
	43	06-42-1200 Woodruff Key	(1)
	44	30-72-0060 Wobble Plate	(1)
	45	02-04-1510 Ball Bearing	(1)
	46	34-80-2355 Internal Retaining Ring	(1)
	47	34-60-1200 Retaining Ring	(1)
	48	38-50-5410 Reciprocating Spindle	(1)
	49	06-75-2400 10-32 x 1/2" Socket Hd. Screw	(1)
	50	42-68-0073 Blade Clamp	(1)
	51	06-95-6270 10-24 x 1/2" Pan Hd. Taptite Sems	(4)
	52	45-16-0495 Pivot Shoe Assembly	(1)
	53	28-14-1780 Gear Case	(1)
	54	42-24-0320 Spindle Bearing	(1)
	55	45-06-0300 Felt Seal	(1)
	56	44-86-0370 Seal Retainer	(1)
	57	06-95-0050 4-40 x 3/16" Pan Hd. Taptite Screw	(2)
	58	02-50-1640 Needle Bearing	(1)
★	59	06-82-3154 8-32 x 1-3/8" Fil. Hd. Taptite T-20	(2)
★	60	05-88-8305 K50 x 54mm Fil. Hd. PT T-20	(2)
	61	45-12-0305 Gear Case Insulator	(1)
	62	14-46-1001 Foam Slug Kit - 10 Slugs	(2)

FIG. NOTES
34,46,47 Burr Side Out.
38 V-Notch Press In From Diaphragm Side.
40 Apply Type 242 Blue Loctite.

FIG. LUBRICATION
35,39 1/2 Oz. Type "A" Grease, No. 49-08-0800.
53 2-1/2 Oz. Type "B" Grease, No. 49-08-0600.

MILWAUKEE ELECTRIC TOOL CORPORATION
13135 W. LISBON RD., BROOKFIELD, WI 53005
Drwg. 2