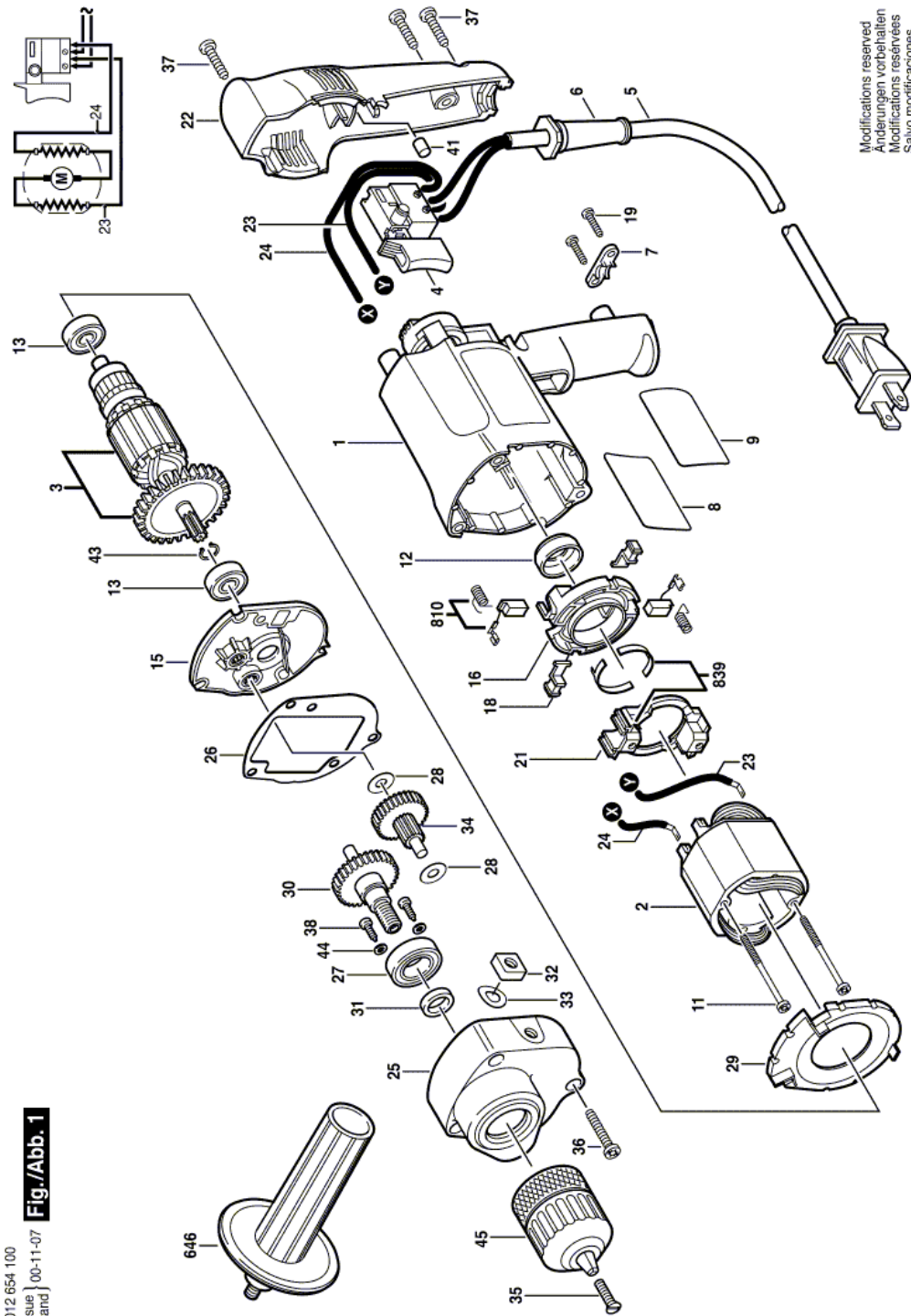


## Drill - F 012 X54 000 - 6540 TYPE 1

Item	Part Number	Description	Illustration	Price	Quantity	Price Group
1	2 610 905 362	Housing	1	-,-	1	26
2	2 610 348 600	Pole Shoe 120V	1	-,-	1	-
3	2 610 348 592	Armature 120V	1	-,-	1	-
4	2 610 348 553	Toggle Switch	1	-,-	1	-
5	2 610 350 903	Power supply cord	1	-,-	1	27
6	2 610 313 327	Grommet	1	-,-	1	14
7	2 610 064 973	Cable Grip	1	-,-	1	11
8	2 610 317 477	Nameplate	1	-,-	1	-
9	2 610 348 233	Label	1	-,-	1	-
11	1 619 P01 446	Screw	1	-,-	2	10
12	1 619 P01 127	Rubber Ring	1	-,-	1	10
13	2 610 351 861	Ball Bearing	1	-,-	2	23
15	2 610 348 599	Bearing cover	1	-,-	1	24
16	2 610 348 614	Carrier	1	-,-	1	21
18	2 610 909 603	Lever	1	-,-	2	11
19	2 610 315 386	Screw ST3,9x19	1	-,-	2	11
21	2 610 348 613	Carrier	1	-,-	1	14
22	2 610 905 360	Set Of Handles	1	-,-	1	15
23	2 610 038 649	Cable 240 MM RED	1	-,-	1	13
24	2 610 038 676	Connecting Cable 205 MM BLUE	1	-,-	1	-
25	2 610 905 361	Housing	1	-,-	1	18
26	2 610 348 570	Seal	1	-,-	1	11
27	2 610 015 747	Ball Bearing	1	-,-	1	26
28	2 610 348 611	Washer	1	-,-	2	11
29	2 610 348 586	Baffle	1	-,-	1	13
30	2 610 348 576	Axle	1	-,-	1	32
31	2 610 348 557	Shim washer	1	-,-	1	13
32	2 610 348 606	Nut	1	-,-	1	13
33	2 610 016 828	Disc	1	-,-	1	-
34	2 610 348 579	Toothed Gear	1	-,-	1	32
35	2 610 315 857	Socket head cap screw	1	-,-	1	11
36	2 610 348 621	Screw	1	-,-	3	11
37	2 610 348 622	Screw	1	-,-	3	11

Item	Part Number	Description	Illustration	Price	Quantity	Price Group
38	2 610 348 607	Screw	1	-,-	2	11
41	2 610 028 780	Plug	1	-,-	1	11
43	2 610 931 268	Retaining snap ring	1	-,-	1	-
44	2 610 350 946	Washer	1	-,-	1	11
45	2 610 910 300	Keyless Chuck 3/8"	1	-,-	2	37
646	2 610 341 494	Handle	1	-,-	1	15
810	2 610 353 931	Carbon-Brush Set	1	-,-	2	22
839	2 610 350 352	Contact Breaker	1	-,-	1	15

Illustration - Type E



Information subject to change without further notice.