

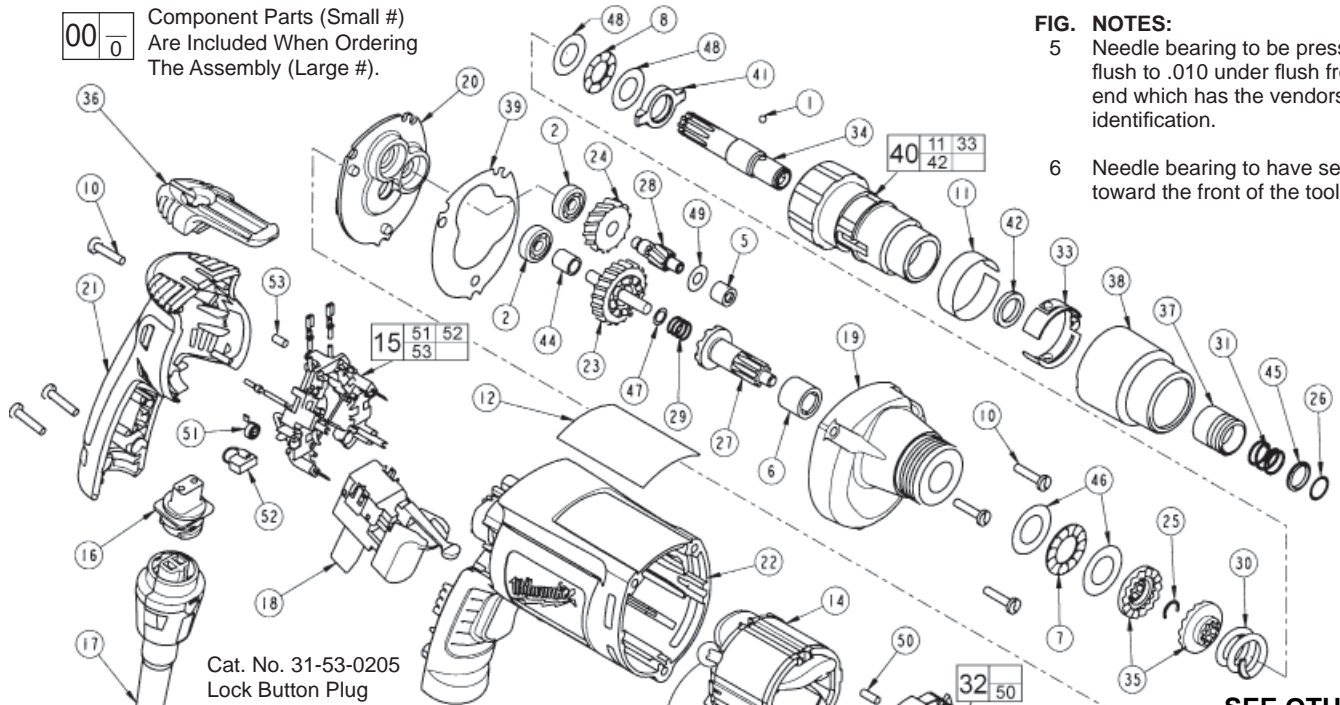


SERVICE PARTS LIST

BULLETIN NO.
54-42-6000

SPECIFY CATALOG NO. AND SERIAL NO. WHEN ORDERING PARTS		REVISED BULLETIN	DATE
ADJUSTABLE TORQUE SCREWDRIVER			Aug. 2011
CATALOG NO. 6580-20	STARTING SERIAL NO. 098A	WIRING INSTRUCTION 58-01-1805	

EXAMPLE:
Component Parts (Small #)
Are Included When Ordering
The Assembly (Large #).



Cat. No. 31-53-0205
Lock Button Plug

FIG. NOTES:
5 Needle bearing to be pressed flush to .010 under flush from end which has the vendors identification.
6 Needle bearing to have seal toward the front of the tool.

SEE OTHER SIDE OF BULLETIN

FIG.	PART NO.	DESCRIPTION OF PART	NO. REQ.
1	02-02-0130	Steel Ball	(1)
2	02-04-0640	Ball Bearing	(2)
3	02-04-0645	Ball Bearing	(1)
4	02-04-0852	Ball Bearing	(1)
5	02-50-2400	Needle Bearing	(1)
6	02-50-3245	Needle Roller Bearing	(1)
7	02-80-1200	Thrust Needle Bearing	(1)
8	02-80-6020	Thrust Bearing	(1)
9	22-84-0845	Fan Assembly	(1)
10	06-82-7275	7-18 x 3/4 Slotted Plastite Torx T-20	(6)
11	10-79-3100	Torque Setting Label	(1)
12	12-99-2665	Service Nameplate	(1)
13	16-10-2205	Armature	(1)
14	18-07-2200	Field	(1)
15	22-18-1210	Brush Card Assembly	(1)
16	22-56-1000	Blade Housing Assembly	(1)
17	48-76-5010	Quik-Lok Cord Set	(1)
18	23-66-2585	Switch	(1)
19	28-14-2405	Gearcase	(1)
20	28-28-2315	Diaphragm	(1)
21	31-15-2030	Handle Half	(1)
22	31-50-2030	Motor Housing	(1)
23	32-10-4055	Clutch Gear Assembly	(1)
24	32-40-0100	Intermediate Gear	(1)
25	34-60-0545	Retaining Ring	(1)
26	34-60-2390	Retaining Ring	(1)
27	36-14-0665	Clutch Shaft Assembly	(1)
28	36-66-0105	Intermediate Shaft	(1)
29	40-50-6600	Separator Spring	(1)
30	40-50-8000	Clutch Spring	(1)
31	40-50-8005	Compression Spring	(1)
32	42-14-0460	Baffle Assembly	(1)
33	42-16-0140	Adjustment Band	(1)
34	42-66-0676	Chuck Shaft	(1)
35	42-70-5016	Drive Clutch	(2)
36	42-70-5280	Belt Clip	(1)
37	42-76-0390	Locking Collar	(1)
38	42-76-0460	Adjustment Collar	(1)
39	43-44-0985	Gasket	(1)
40	14-08-0190	Clutch Housing Assembly	(1)
41	44-90-4280	Adjustment Ring	(1)
42	45-06-0106	Oil Seal	(1)
44	45-36-1280	Spacer	(1)
45	45-36-1300	Spacer	(1)



FIELD TERMINAL POCKETS
Fill cavities with Type "X" contact grease No. 49-08-5000, 4 places. Do not over fill and allow grease to extend past edges.

FIG.	PART NO.	DESCRIPTION OF PART	NO. REQ.
46	45-88-0510	Thrust Bearing Washer	(2)
47	45-88-0712	Thrust Washer	(1)
48	45-88-7150	Thrust Washer	(2)
49	45-88-7990	Thrust Washer	(1)
50	45-30-0030	Slug	(2)
51	23-52-1610	Brush Spring	(2)
52	22-18-1310	Brush Assembly	(2)
53	45-30-0035	Slug	(1)

LUBRICATION (Type "L" Grease, No. 49-08-4170)

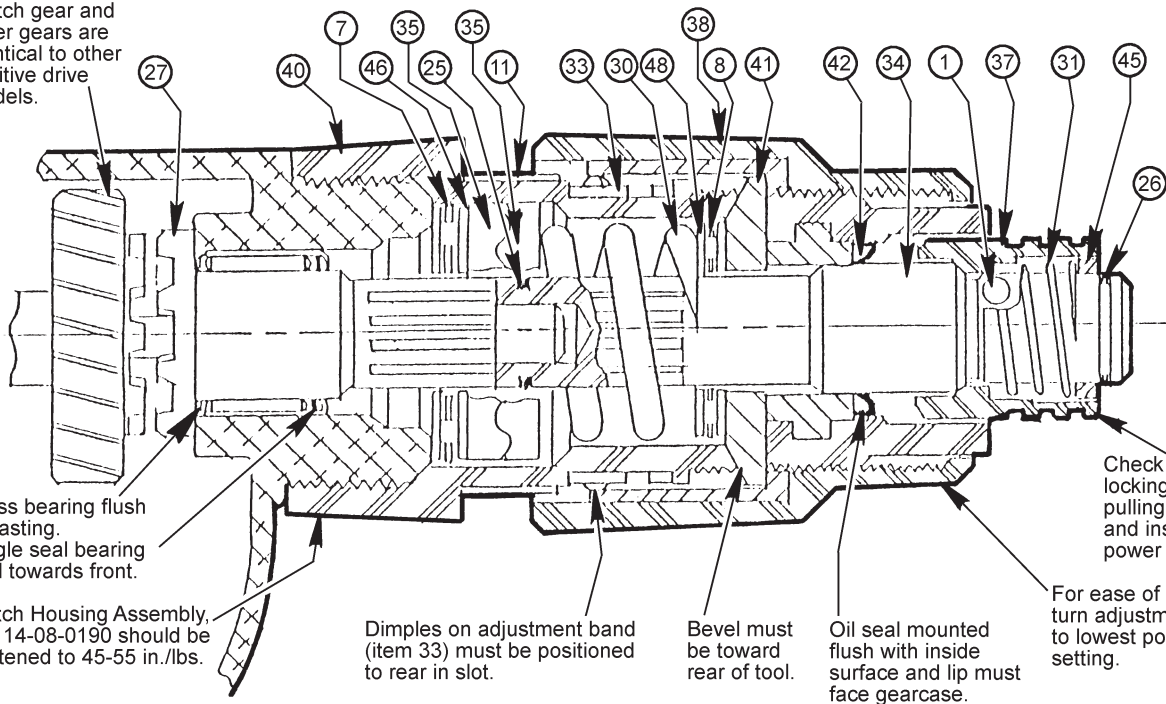
- Place 1.8 gm. (.06 oz.) of grease on the drive clutch surfaces (35).
- Equally distribute 1.8 gm. (.06 oz.) of grease on the thrust bearings (7 and 8), oil seal (42) and the tabs of the adjustment ring (41).

LUBRICATION (Type "Y" Grease, No. 49-08-5270)

- Equally distribute 1.5 gm. (.05 oz.) of grease on the lugs of the clutch gear (23), clutch shaft (27), separator spring (29) and the thrust washer (47).
- In the gearcase (19), place 3.6 gm. (.13 oz.) of grease in the counterbore above the inserted intermediate needle bearing (5).
- Place 13 gm. (.46 oz.) of grease at the armature pinion location in the gearcase (19) and fill to the top of the intermediate gear (24).

Before assembly, lightly coat all press fit areas with lightweight spindle oil.

Clutch gear and other gears are identical to other positive drive models.



Press bearing flush to casting. Single seal bearing seal towards front.

Clutch Housing Assembly, No. 14-08-0190 should be tightened to 45-55 in./lbs.

Dimples on adjustment band (item 33) must be positioned to rear in slot.

Bevel must be toward rear of tool.

Oil seal mounted flush with inside surface and lip must face gearcase.

Check function of locking collar by pulling part forward and inserting 1/4" power shank bit.

For ease of assembly, turn adjustment collar to lowest possible setting.

Lubrication

Drive clutches must slide back and forth freely on shaft splines. Defective splines that stick will not function properly.

Apply 1/16 oz. Type "L" grease, No. 49-08-4170, on clutch faces of drive clutch (#35). Apply a small amount of "L" grease on thrust bearings (#7 and #8), oil seal lip (#42) and tabs of adjustment ring (#41).

ORDER OF ASSEMBLY	ITEM NUMBER	PART NUMBER	DESCRIPTION			
Clutch Housing Assembly No. 14-08-0190	1	40	14-08-0190	Clutch Hsg. Assy. (Includes Bushing No. 42-40-0920)	Clutch Sub-Assembly	
	2	42	45-06-0106			Oil Seal
	3	33	42-16-0140			Adjustment Band
	4	11	10-79-3100			Torque Setting Label
	5	41	44-90-4280			Adjustment Ring
	6	34	42-66-0676			Chuck Shaft
	7	1	02-02-0130			Steel Ball
	8	37	42-76-0390			Locking Collar
	9	31	40-50-8005			Spring
	10	45	45-36-1300			Spacer
	11	26	34-60-2390			Retaining Ring
	12	48	45-88-7150			Thrust Washers (2 each) (Place on each side of Item #8, Thrust Bearing)
	13	8	02-80-6020			Thrust Bearing
	14	30	40-50-8000			Clutch Spring
	15	35	42-70-5016			Drive Clutch
	16	25	34-60-0545			Retaining Ring
	38	42-76-0460	Adjustment Collar (Includes insert No. 43-84-0740)	Not In Order Of Assembly		
	27	36-14-0665	Clutch Shaft Assembly			
	46	45-88-0510	Thrust Bearing Washers (2 each) (Place on each side of Item #7, Thrust Bearing)			
	7	02-80-1200	Thrust Bearing			
	35	42-70-5016	Drive Clutch			