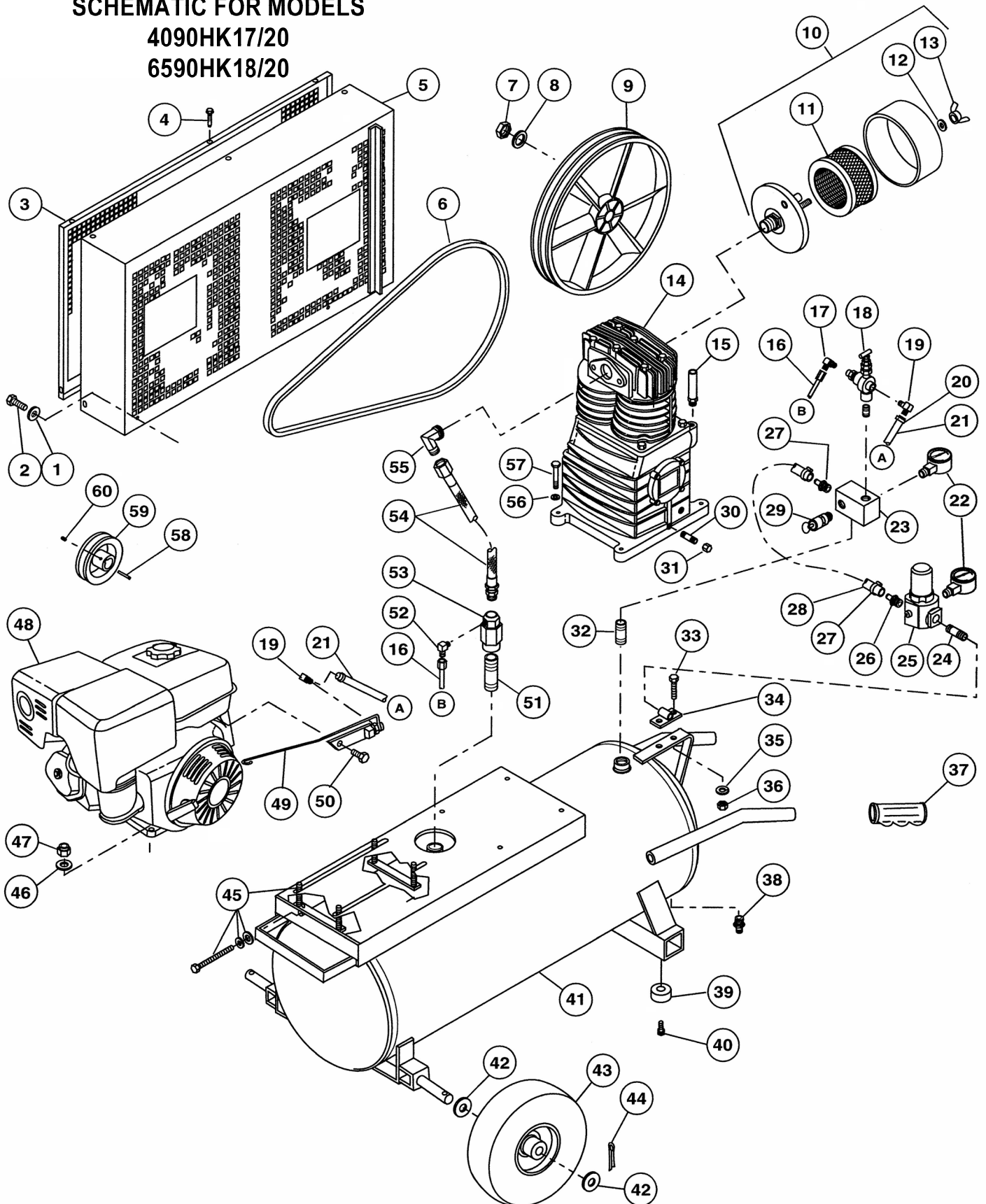


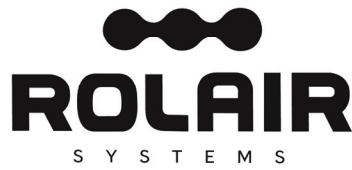
# ROLAIR

SCHEMATIC FOR MODELS

4090HK17/20

6590HK18/20





**PARTS LIST FOR MODELS  
4090HK17/20  
6590HK18/20**

Schem. #	Description	Part #	Qty.	Schem. #	Description	Part #	Qty.
1	Washer	MIS10108	2	27	Hose Clamp	177A	2
2	Bolt	MIS10023	2	28	3/8" Rubber Hose – 16"	178A	1.25'
3	Belt-Guard Cover (Before S/N 11070001)	**N.L.A.		29	Safety Relief Valve	SRV0250N165	1
	(After S/N 11070001)	BG9145	1	30	Nipple	BLNP0250X1500	1
4	Bolt	MIS10094	5	31	Cap	BLCA0250	1
5	Belt-Guard Base (Before S/N 11070001)	**N.L.A.		32	Nipple	BLNP0500X1500	1
	(After S/N 11070001)	BG9140B	1	33	Bolt	MIS10022	2
6	Belt	BT4L510	1	34	Accessory Bracket	210	1
7	Nut	37400720CH	1	35	Lock Washer	MIS10099	2
8	Washer	37500730CH	1	36	Nut	MIS10020	2
9	Flywheel	31007280CH	1	37	Handle Grip	328	2
10	Silencer/Filter Assembly	FS14050	1	38	Drain Valve	132BV	1
11	Filter Element - Replacement for Above	431	1	39	Rubber Foot	219	4
				40	Screw	MIS10008	4
12	Washer	FSWASHER	1	41	20 Gallon Tank Assembly	TNKASY4090K17/20	1
				42	Washer	MIS10104	4
13	Wing Nut	FSNUT	1	43	Foam-Filled Flat-Free Tire	WLS50	2
14	Twin-Cylinder Pump w/Flywheel – Mdl 4090HK17/20	PMP12K17CH	1	44	Cotter Pin	181B	2
				45	Belt Tightener/Mounting Kit	SBT5HP-ANGLE*	1
				46	Washer	MIS10102	4
				47	Lock Nut	MIS10020B	4
	Twin-Cylinder Pump less Flywheel-Mdl 4090HK17/20	PMP12K17CHLF	1	48	Honda Engine-Model 4090HK17/20	ENG05H01	1
Twin-Cylinder Pump w/Flywheel-Mdl 6590HK18/20	PMP12K18CH	1		Honda Engine-Model 6590HK18/20	ENG06H01	1	
Twin-Cylinder Pump less Flywheel-Mdl 6590HK18/20	PMP12K18CHLF	1		Optional Engine Drain Extension for Above	HDE5	1	
15	3/8" Breather/Oil Fill Plug	36507050CH	1	49	Throttle Control Kit	192EGX160K1QX	1
16	1/4" Copper Tubing – 24"	MIS11100	2'	50	Flange Bolt	HON90013-883-000	1
	Brass Nut	BRNT0250	2	51	Nipple	BLNP0500X1500	1
	Brass Ring	BRRG0250	2	52	Brass Elbow	BREL0250X0125H16	1
17	Brass Elbow	BREL0250X025039	1	53	Check Valve	CV4X4L1	1
18	Pilot Unloader Valve	131BIG	1	54	Braided Discharge Tube	145A	1
19	Brass Elbow	BREL0250X0125H16	2	55	Brass Elbow	145D	1
20	Hose Clamp	177	2	56	Lock Washer	MIS10099	4
21	1/4" Rubber Hose – 24"	178	2'	57	Bolt	MIS10023	4
22	Gauge	GA2050200GC	2	58	Keystock	MIS10095C	1
23	Aluminum Block Manifold	154	1	59	Pulley	PUAK44X0750	1
24	Nipple	BLNP0375X1500	1		6590HK18/20 only (After S/N 12010001)	PUAK49X0750	1
25	Regulator	REG0375	1	60	Setscrew	MIS10020C	1
26	Brass Coupler	BRCP0375X0375H12	2				

\*For units built prior to February 2005, order SBT5HP-SQUARE.

\*\*For units built prior to July 2011, order complete belt guard, part numbers BG9140B and BG9145.

