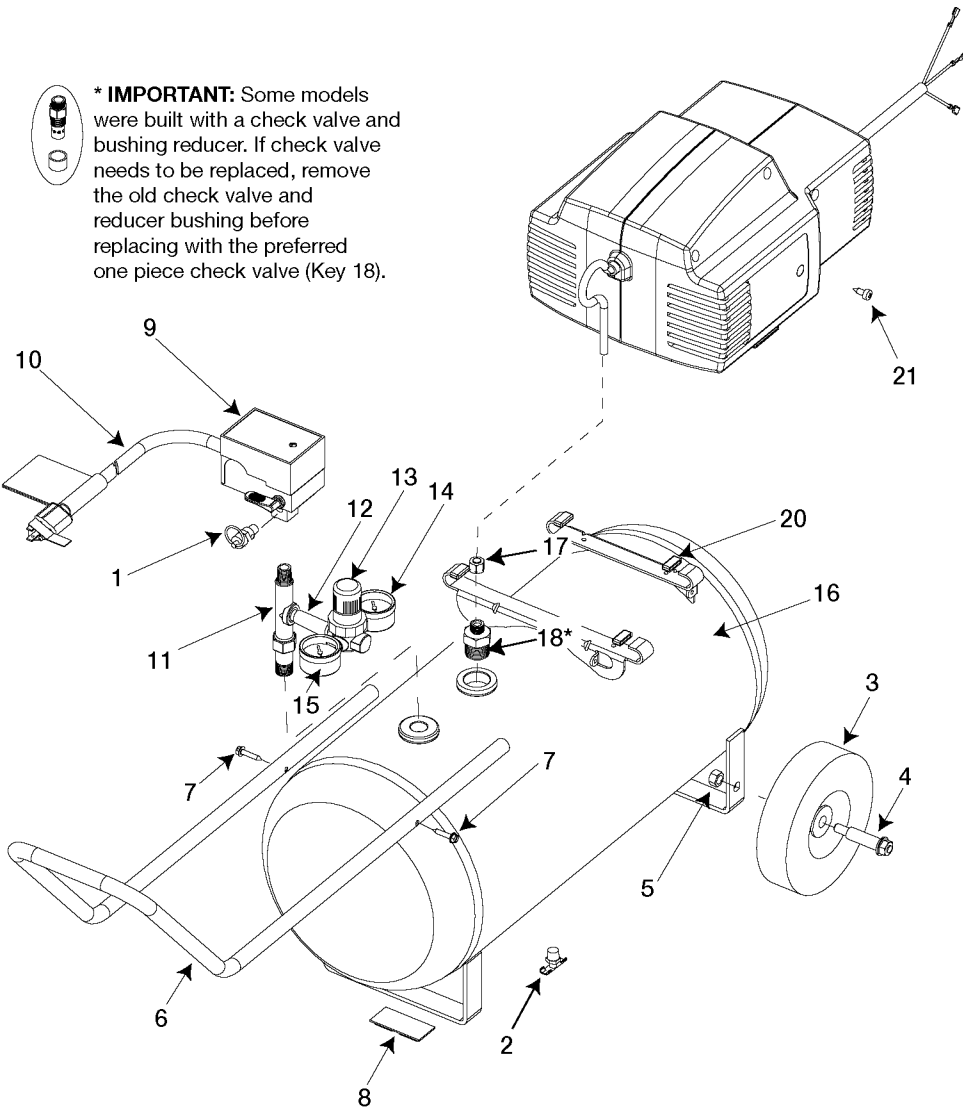
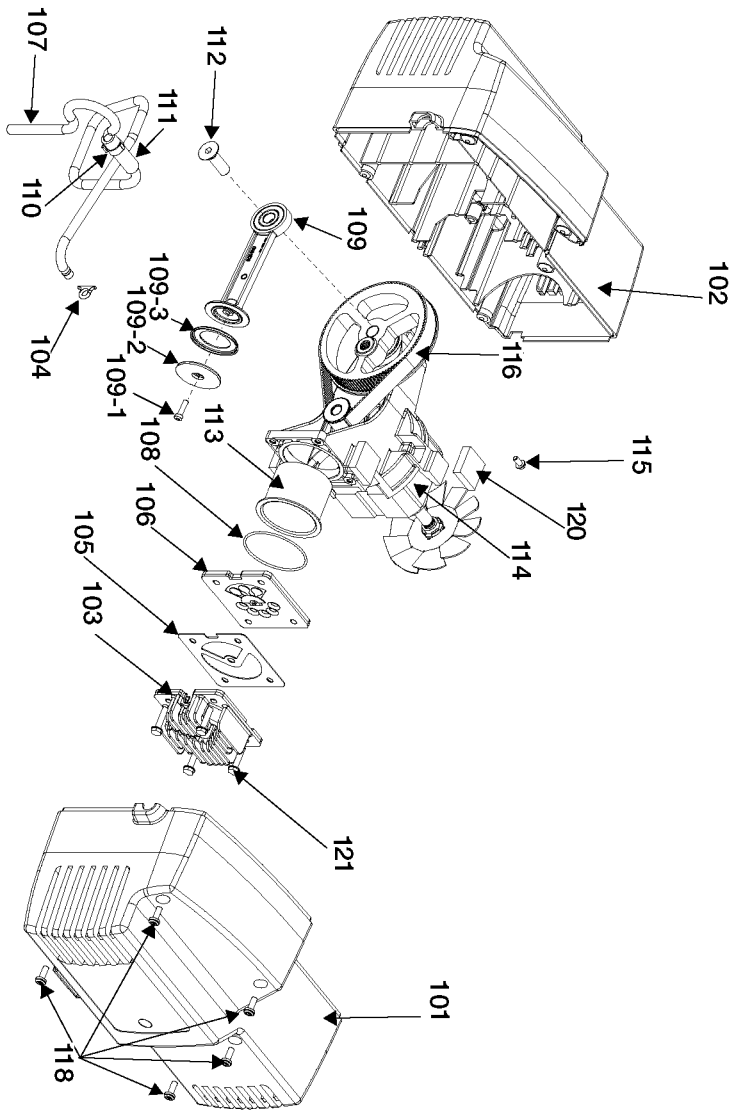




*** IMPORTANT:** Some models were built with a check valve and bushing reducer. If check valve needs to be replaced, remove the old check valve and reducer bushing before replacing with the preferred one piece check valve (Key 18).





Parts List for 66-501 Type 1

Item Number	Part Number	Description	Qty Required
1	TIA-4150	VALVE SAFETY 150 .25	1
2	A17038	DRAIN VALVE	1
3	000000-00	No Longer Available	2
4	CAC-60	BOLT .375-16X2.25 UN	2
5	SSF-8080-ZN	NUT .375-16 UNC-2B H	1
6	000000-00	No Longer Available	1
7	000000-00	No Longer Available	2
8	AC-0364	FOOT MOLDED BUMPER	1
9	5140117-70	PRESSURE SWITCH	1
10	D26615	CORD POWER ST 14GA 1	1
11	AC-0027-2	STANDPIPE BRASS MALE	1
12	D24888	NIPPLE .25NPT X 2.5	1
13	N008792	REGULATOR RPR KIT	1
13	D27256	REGULATOR 4PORT P1P2	1
14	Z-AC-0009-1	GAUGE RIGHT HAND	1
15	Z-AC-0010-1	GAUGE LEFT HAND	1
16	000000-00	No Longer Available	1
17	SSP-473	ASSY NUT SLEEVE 5/16	1
18	A19716	CHECK VALVE	1
20	CAC-1254	ISOLATOR PUMP	1
21	SSF-621	SCREW .250-14X.625 F	1
101	A06436	SHROUD KIT	1
102	A06438	SHROUD	1
103	D25877	HEAD UMC PRESSURE RE	1
104	N044359	TUBE SEAL	1
105	Z-D24819	GASKET HEAD UMC GRAP	1
106	N017592SV	VALVE PLATE ASSY	1

Parts List for 66-501 Type 1

Item Number	Part Number	Description	Qty Required
107	DAC-269	TUBE OUTLET 2.5G UMC	1
108	SSG-8169	ORING 2.132/2.096ID	1
109	N036518	CON ROD ASSY	1
109	D21127	SCREW #10-24X.563 PA	1
109	N036517	CYLINDER KIT	1
110	CAC-1206-1	CLAMP HOSE .250 ID H	1
111	AC-0206	TUBE ISOLATOR	1
112	A19123	SCREW	1
113	N036518	CON ROD ASSY	1
114	N087118SV	PUMP ASSEMBLY	1
115	SUDL-9-1	SCREW #8-32X.375/.34	1
116	AC-0815	BELT TIMING DAYCO	1
118	SSF-3156	SCREW #10-9X.500 THD	1
120	000000-00	No Longer Available	1
121	SSF-995	SCREW #10-24X.875 HH	1
856	N036517	CYLINDER KIT	1
856	000000-00	No Longer Available	1
856	N036518	CON ROD ASSY	1
856	KK-4929	KIT FASTENER	1
856	A00765	CORD ASSY UMC 15G 25	1
856	000000-00	No Longer Available	1