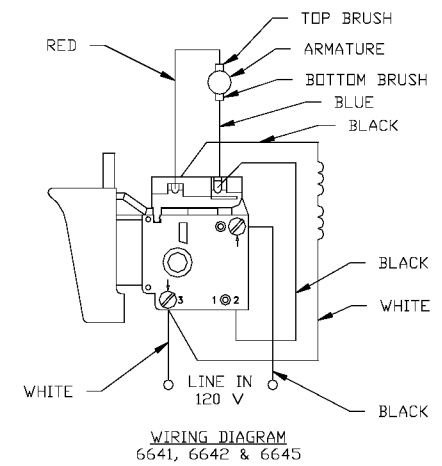
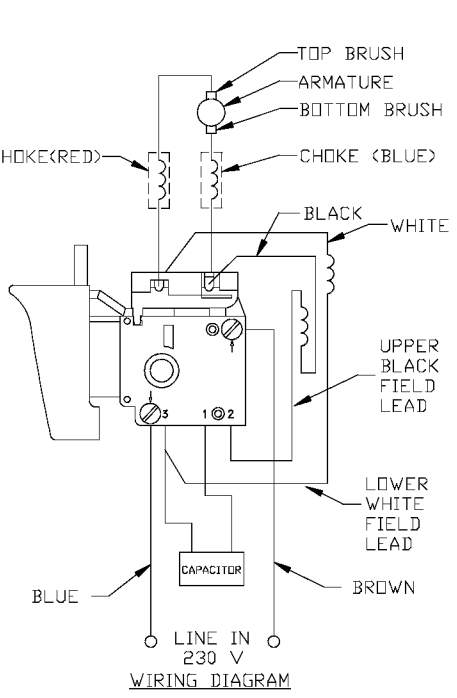
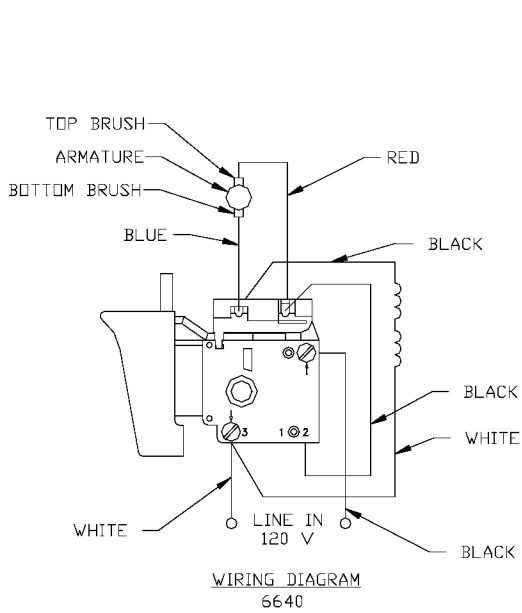
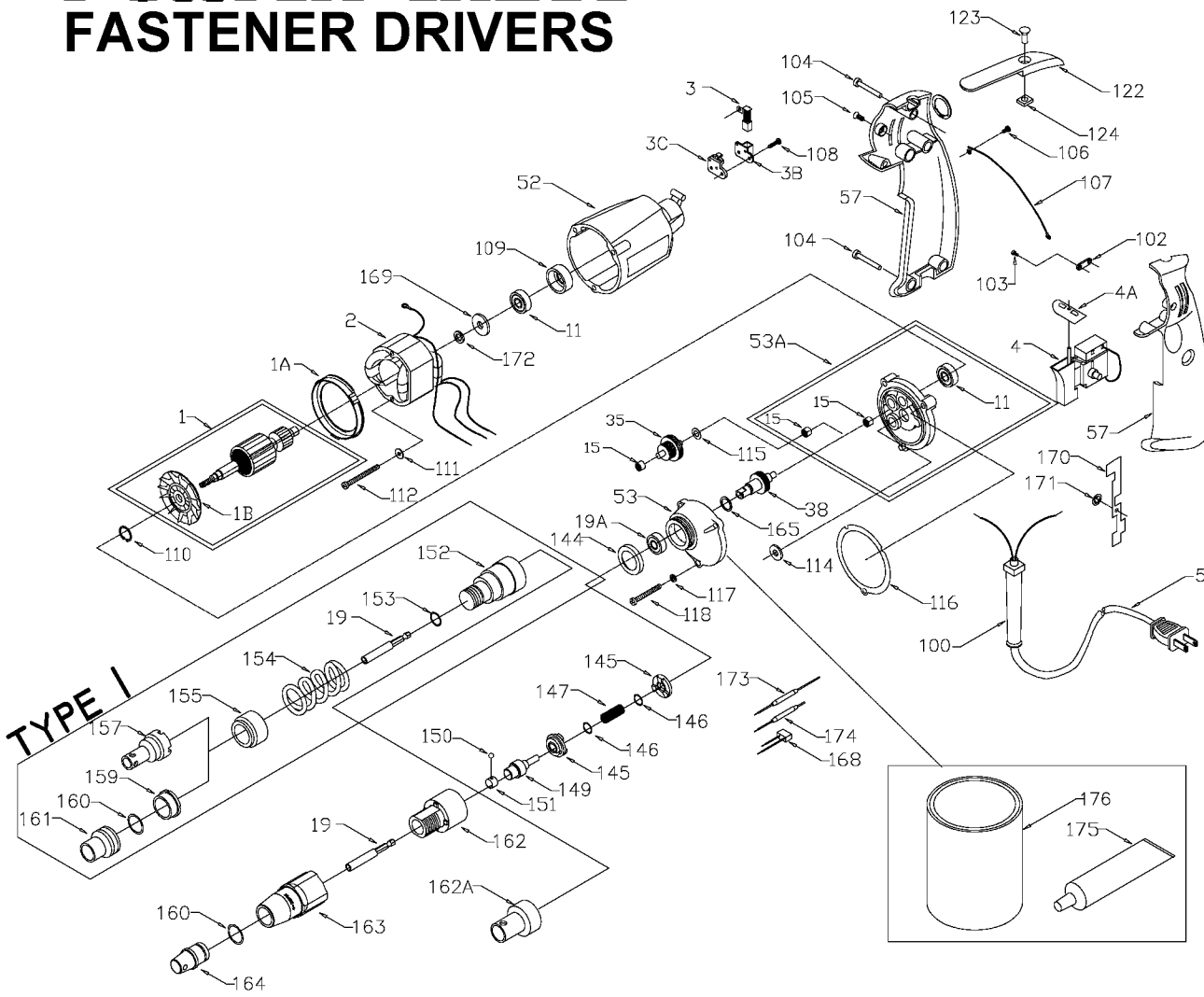


PORTER-CABLE FASTENER DRIVERS

Cable Service Center or other competent repair center

6640
6642
6645



Parts List for 6645 Type 3

| Item Number | Part Number | Description | Qty Required |
|-------------|-------------|---------------------|--------------|
| 1 | 886948 | ARMATURE 230V FLEX | 1 |
| 1 | 876480 | ARMATURE | 1 |
| 1 | 811350 | BAFFLE | 1 |
| 1 | 811531 | FAN | 1 |
| 2 | 886949 | FIELD 230V | 1 |
| 2 | 876479 | FIELD | 1 |
| 3 | N119739 | BRUSH & SPRING | 2 |
| 3 | 694301 | BRUSH HOLDER | 2 |
| 3 | 694298 | BRUSH INSULATOR | 2 |
| 4 | 885315 | SWITCH 230V | 1 |
| 4 | 888146 | SWITCH VSR | 1 |
| 4 | 875868 | BUTTON-FWD/REV | 1 |
| 5 | 891461 | CORD & PLUG | 1 |
| 5 | 695854 | CORDSET | 1 |
| 11 | 330003-85 | BEARING | 3 |
| 15 | 330004-00 | BEARING,NEEDLE | 3 |
| 19 | 879984 | BIT HOLDER | 1 |
| 19 | 330003-17 | BEARING,BALL | 3 |
| 35 | 697673 | IDLER ASSY | 1 |
| 38 | 000000-00 | No Longer Available | 1 |
| 52 | 876677 | MOTOR HSG PKG | 1 |
| 53 | 000000-00 | No Longer Available | 1 |
| 53 | 697684SV | INTERMEDIATE PLATE | 1 |
| 57 | 876612 | HANDLE SET | 1 |
| 100 | 810716 | RELIEVER | 1 |
| 102 | 861434 | CORD CLAMP | 1 |
| 103 | 882703 | SCREW | 10 |

Parts List for 6645 Type 3

| Item Number | Part Number | Description | Qty Required |
|-------------|-------------|---------------------|--------------|
| 104 | 900826 | SCREW | 10 |
| 105 | 866340 | SCREW | 10 |
| 106 | 864137 | SCREW | 10 |
| 107 | 000000-00 | No Longer Available | 1 |
| 108 | 864136 | SCREW | 10 |
| 109 | 694432 | BEARING MOUNT | 3 |
| 110 | 847564 | SNAP RING | 10 |
| 111 | 802214 | WASHER-LCK INT | 10 |
| 112 | 876651 | SCREW | 10 |
| 114 | 852714 | SLINGER | 1 |
| 115 | 848741 | WASHER | 10 |
| 116 | 698609 | GASKET | 1 |
| 117 | 802648 | WASHER | 10 |
| 118 | 694015 | SCREW | 10 |
| 122 | 875861 | BELT CLIP | 1 |
| 123 | 800740 | SCREW | 10 |
| 124 | 875862 | NUT | 10 |
| 144 | 000000-00 | No Longer Available | 1 |
| 145 | 000000-00 | No Longer Available | 1 |
| 146 | 853644 | RING | 10 |
| 147 | 890471 | SPRING | 1 |
| 149 | 878495 | WORK SPINDLE | 1 |
| 150 | 844318 | BALL | 1 |
| 151 | 854346 | RETAINER | 1 |
| 160 | 878486 | O RING | 10 |
| 162 | 895206 | CLUTCH HOUSING | 1 |
| 162 | 000000-00 | No Longer Available | 1 |

Parts List for 6645 Type 3

| Item Number | Part Number | Description | Qty Required |
|-------------|-------------|----------------------|--------------|
| 163 | 000000-00 | No Longer Available | 1 |
| 164 | 890482 | NOSE PIECE | 1 |
| 165 | 802552 | RING | 10 |
| 168 | 000000-00 | No Longer Available | 1 |
| 169 | 886582 | WASHER-INSULATOR 230 | 10 |
| 170 | 886620 | INSULATOR 230V | 1 |
| 171 | 886627 | RING-RTNG 230V | 10 |
| 172 | 849328 | SPACER | 10 |
| 173 | 000000-00 | No Longer Available | 1 |
| 174 | 000000-00 | No Longer Available | 1 |
| 175 | 878499 | TUBE GREASE | 1 |
| 176 | 879751 | LUBRICANT 4 LBS | 1 |
| 861 | 000000-00 | No Longer Available | 1 |
| 861 | 000000-00 | No Longer Available | 1 |