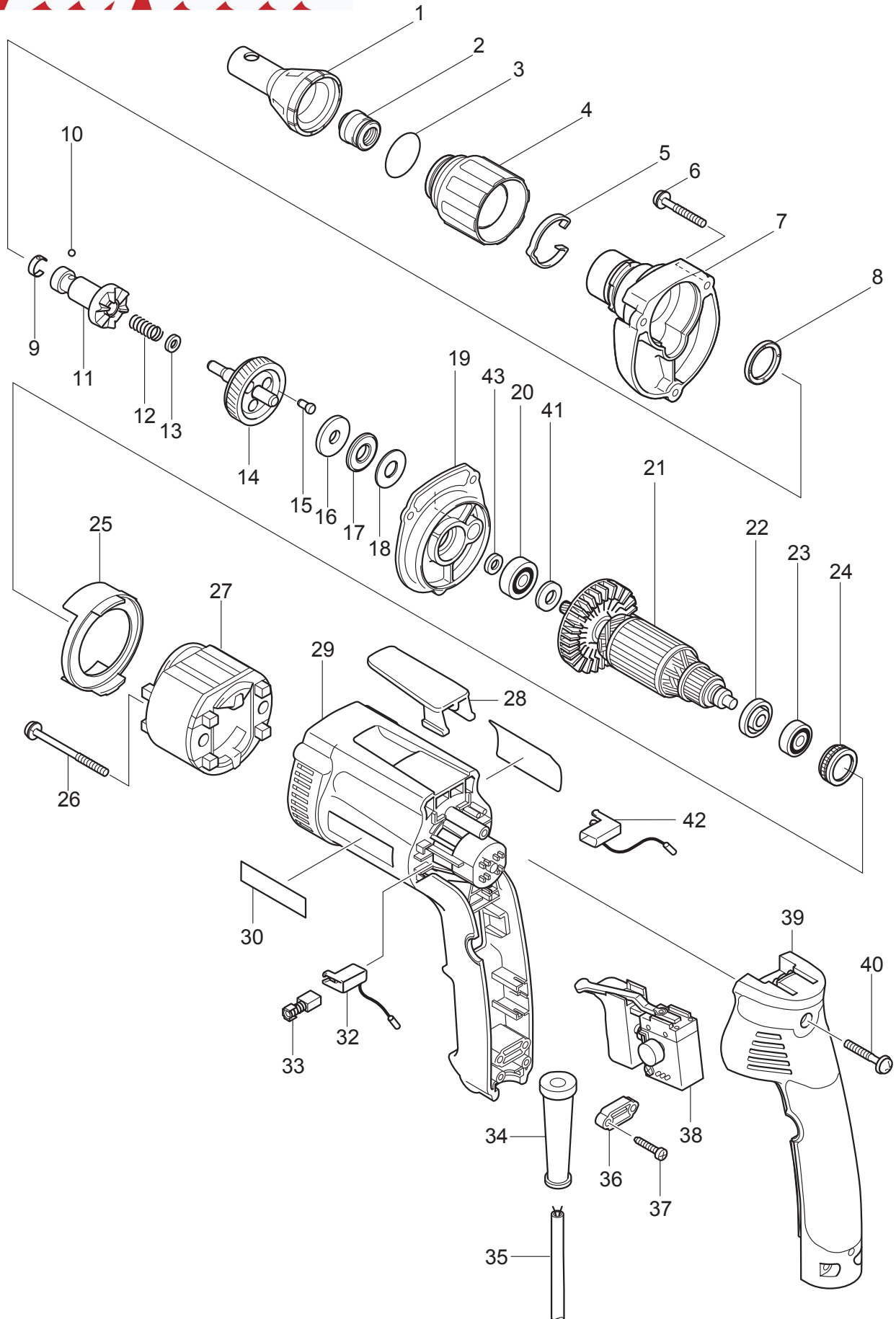




03 - 2010

6825

DRYWALL SCREWDRIVER 0-6000RPM



Item No.	Type	Sub	Part No.	Description (*see service changes on the bottom)	Qty	Unit
1			151726-8	LOCATOR COMPLETE	1	PC.
2			421631-6	DUST SEAL RING	1	PC.
3			213373-4	O RING 22	1	PC.
4			416994-3	LOCK RING	1	PC.
5			232154-7	* LEAF SPRING	1	PC.
6			265999-8	TAPPING SCREW 4X25	3	PC.
7			151720-0	GEAR HOUSING COMPLETE	1	PC.
8		1	421710-0	RING 20	1	PC.
		2	421766-3	RING 20	1	PC.
9			232050-9	LEAF SPRING	1	PC.
10			216001-0	STEEL BALL 3.5	1	PC.
11			151788-6	SPINDLE COMPLETE	1	PC.
12			233257-0	COMPRESSION SPRING 8	1	PC.
13			267202-3	FLAT WASHER 8	2	PC.
14			151791-7	GEAR COMPLETE	1	PC.
15			256467-2	SHOULDER PIN 4 (OLD# 256439-7 - N/L/A)	3	PC.
16			216213-5	WASHER 824	1	PC.
17			216415-3	THRUST NEEDLE GAUGE 821	1	PC.
18			216212-7	WASHER 821	1	PC.
19			151722-6	GEAR HOUSING COVER COMPLETE	1	PC.
20			210007-0	BALL BEARING 608VV	1	PC.
21			517326-8	ARMATURE ASS'Y 115V	1	PC.
		INC.	240022-0	FAN 52	1	PC.
		INC.		INC. 20,22,23,41		
22			681636-0	INSULATION WASHER	1	PC.
23			211021-9	BALL BEARING 607LLB	1	PC.
24			421479-6	RUBBER RING 19	1	PC.
25			416993-5	BAFFLE PLATE	1	PC.
26			266147-2	TAPPING SCREW 4X55	2	PC.
27			633441-1	FIELD 115V	1	PC.
28		1	416996-9	* HOOK	1	PC.
		2	417625-7	* HOOK	1	PC.
29		1	151793-3	* MOTOR HOUSING COMPLETE	1	PC.
		2	151960-0	* MOTOR HOUSING COMPLETE	1	PC.
		3	158709-9	* MOTOR HOUSING COMPLETE	1	PC.
30			819063-3	MAKITA LABEL	1	PC.
32			643948-9	BRUSH HOLDER	1	PC.
33		1	191927-6	CARBON BRUSH CB-407 2PC/SET (W/O ORIGIN)	1	SET
		2	195007-0	CARBON BRUSH CB-407 2PC/SET (W/ ORIGIN)	1	PC.
34			682559-5	CORD GUARD 8	1	PC.
35		1	664064-4	CORD W/PLUG 2P-18-2.5M	1	PC.
		2	664891-9	CORD W/PLUG 2P-18-2.5M	1	PC.
36			687063-9	CORD CLAMP	1	PC.
37			265995-6	TAPPING SCREW 4X18	2	PC.
38			651978-6	SWITCH C3MA-2L	1	PC.
39		1	151725-0	* HANDLE COVER COMPLETE	1	PC.
		INC.	263002-9	* RUBBER PIN 4	2	PC.
		2	151961-8	* HANDLE COVER COMPLETE	1	PC.
		INC.	263002-9	* RUBBER PIN 4	2	PC.
		3	158710-4	* HANDLE COVER COMPLETE	1	PC.
		INC.	263002-9	* RUBBER PIN 4	2	PC.
40			265999-8	TAPPING SCREW 4X25	3	PC.
41			253139-0	FLAT WASHER 8	1	PC.
42			643951-0	BRUSH HOLDER	1	PC.
43			262087-2	RING 8	1	PC.

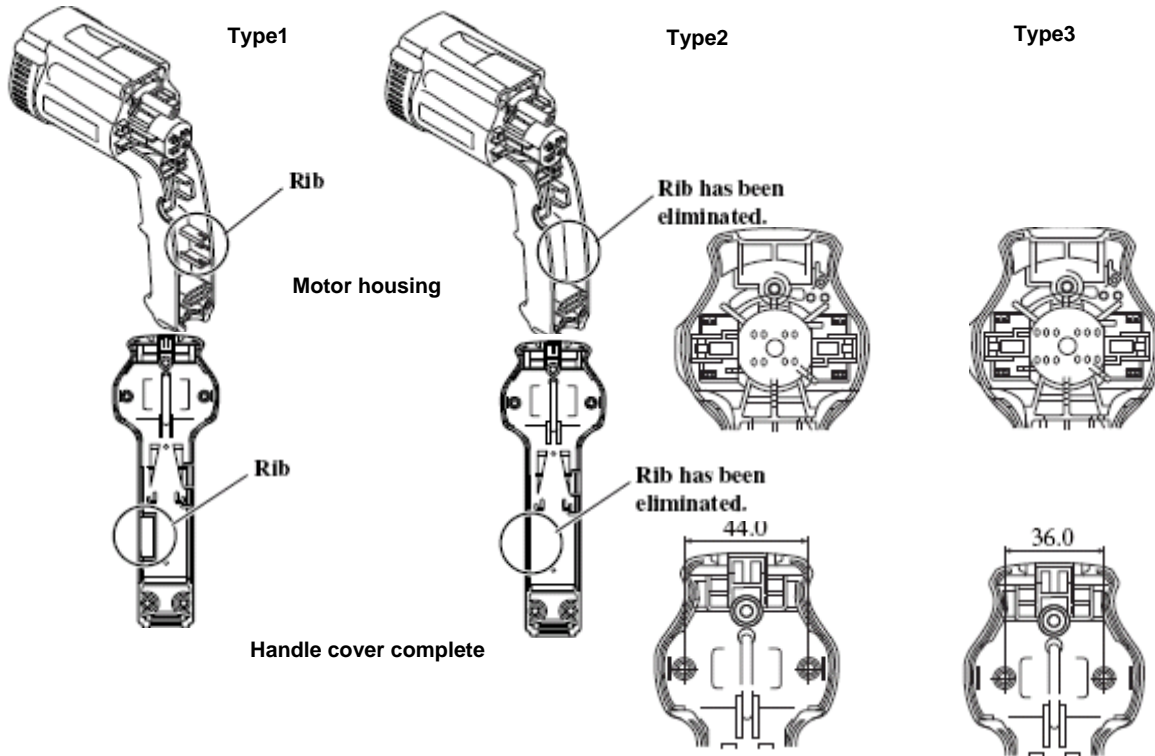
<u>Item No.</u>	<u>Type</u>	<u>Sub</u>	<u>Part No.</u>	<u>Description (*see service changes on the bottom)</u>	<u>Qty</u>	<u>Unit</u>
<u>ACCESSORIES</u>						
A01			784211-2	PHILLIPS INSERT BIT 2-25	1	PC.
A02			784801-1	MAGNETIC BIT HOLDER 6.35-76	1	PC.

SERVICE CHANGES

1. Changes on Motor Housing and Handle Cover Complete

Item No.	Description	Type 1	Type 2	Type 3
29	Motor Housing	151793-3	151960-0	158709-9
39	Handle Cover Com.	151725-0	151961-8	158710-4

Above parts are completely interchangeable as a set.



2. Changes on Hook

Item No.	Description	Type 1	Type 2
28	Hook	416996-9	417625-7



3. Changes on Leaf Spring

Item No.	Description	Type 1	Type 2
5	Leaf Spring	232154-7 (Part No. remain the same)	

