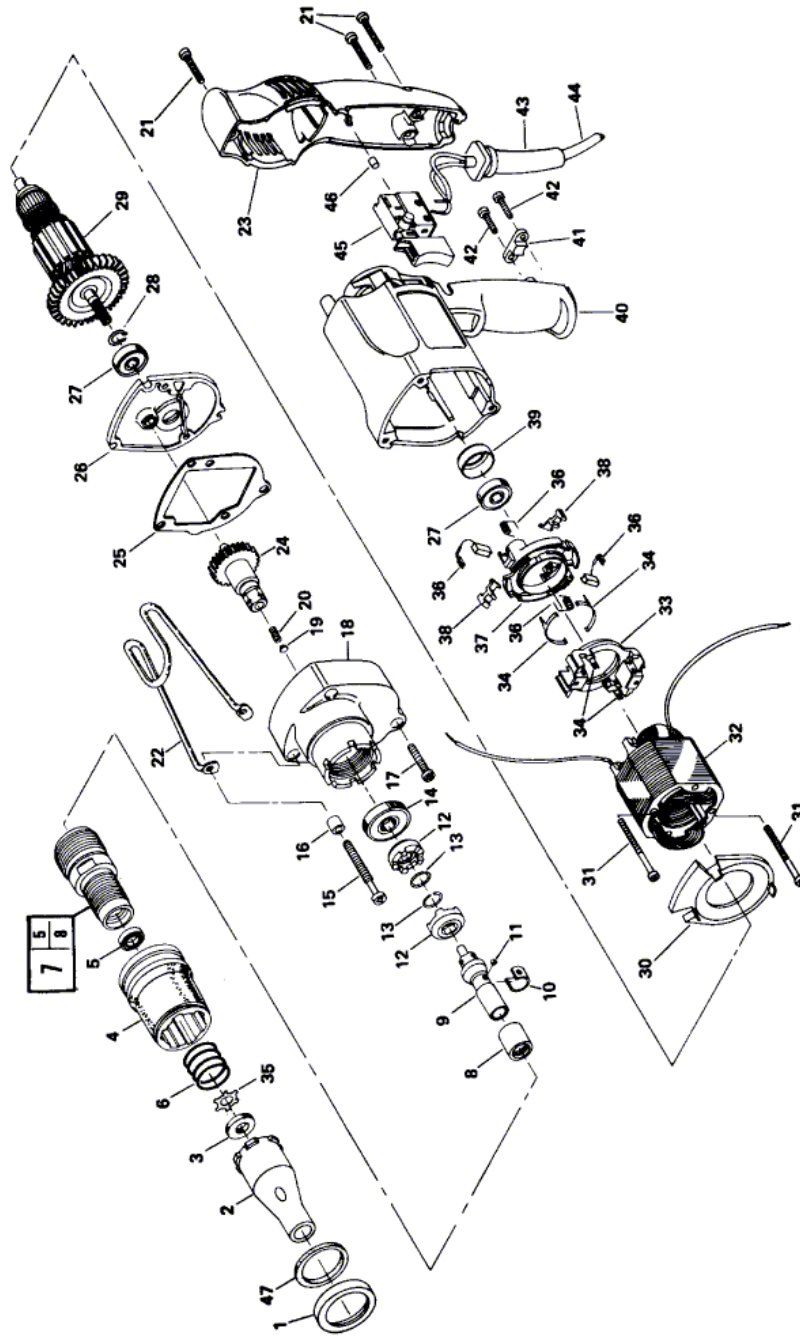


Screwdriver - F 012 690 699 - 6906 TYPE 2

Item	Part Number	Description	Illustration	Price	Quantity	Price Group
1	2 610 350 934	Support	1	-,-	1	13
2	2 610 096 901	Nose	1	-,-	1	35
3	2 610 351 851	Seal	1	-,-	1	13
4	2 610 355 200	Bushing BLACK	1	-,-	1	21
5	2 610 355 205	Seal	1	-,-	1	14
6	2 610 355 202	Spring	1	-,-	1	11
7	2 610 355 207	Cylinder	1	-,-	1	30
8	2 610 355 209	Needle-Roller Bearing	1	-,-	1	24
9	2 610 355 208	Spindle	1	-,-	1	29
10	2 610 355 206	Spring	1	-,-	1	11
11	2 610 002 144	Ball	1	-,-	1	11
12	2 610 358 007	Clutch	1	-,-	1	34
13	2 610 350 763	Ring	1	-,-	2	11
14	2 610 015 747	Ball Bearing	1	-,-	1	26
15	2 610 350 943	Screw	1	-,-	2	11
16	2 610 350 941	Shim washer	1	-,-	2	12
17	2 610 348 621	Screw	1	-,-	1	11
18	2 610 350 793	Housing	1	-,-	1	31
19	2 610 015 236	Knob	1	-,-	1	12
20	2 610 015 241	Spring	1	-,-	1	11
21	2 610 348 622	Screw	1	-,-	3	11
22	2 610 350 939	Clip	1	-,-	1	21
23	2 610 905 360	Set Of Handles	1	-,-	1	15
24	2 610 350 758	Axle	1	-,-	1	35
25	2 610 348 570	Seal	1	-,-	1	11
26	2 610 350 765	Bearing cover	1	-,-	1	25
27	2 610 351 861	Ball Bearing	1	-,-	2	23
28	2 610 931 268	Retaining snap ring	1	-,-	1	-
29	2 610 350 782	Armature 120V	1	-,-	1	-
30	2 610 348 586	Baffle	1	-,-	1	13
31	2 610 348 628	Screw	1	-,-	2	11
32	2 610 350 354	Stator 120V	1	-,-	1	11
33	2 610 348 613	Carrier	1	-,-	1	14

Item	Part Number	Description	Illustration	Price	Quantity	Price Group
34	2 610 350 352	Contact Breaker	1	-,-	1	15
35	2 610 351 853	Support	1	-,-	1	11
36	2 610 353 931	Carbon-Brush Set	1	-,-	1	22
37	2 610 348 614	Carrier	1	-,-	1	21
38	2 610 909 603	Lever	1	-,-	2	11
39	1 619 P01 127	Rubber Ring	1	-,-	1	10
40	2 610 905 362	Housing	1	-,-	1	26
41	2 610 064 973	Cable Grip	1	-,-	1	11
42	2 610 315 386	Screw ST3,9x19	1	-,-	2	11
43	2 610 313 327	Grommet	1	-,-	1	14
44	2 610 350 903	Power supply cord	1	-,-	1	27
45	2 610 910 313	On-Off Switch	1	-,-	1	34
46	2 610 028 780	Plug	1	-,-	1	11
47	2 610 350 945	Seal	1	-,-	1	13

Illustration - Type E



F012690699

Stand }
Issue }

Fig./Abb. 1

00-05-22

Änderungen vorbehalten
Modifications reserved
Modificacions reserves
Salvo modificaciones

Information subject to change without further notice.