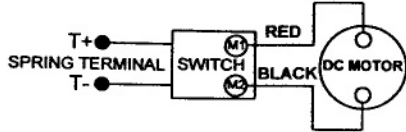


Makita CORDLESS IMPACT WRENCH

MODEL 6909D
 MODEL 6909DWA
 MODEL 6909DWA E

WIRING DIAGRAM



IMPORTANT! – To assure product SAFETY and RELIABILITY, repairs, maintenance or adjustments should be performed by MAKITA Service Centers, or other qualified service organizations. Always use MAKITA replacement parts.

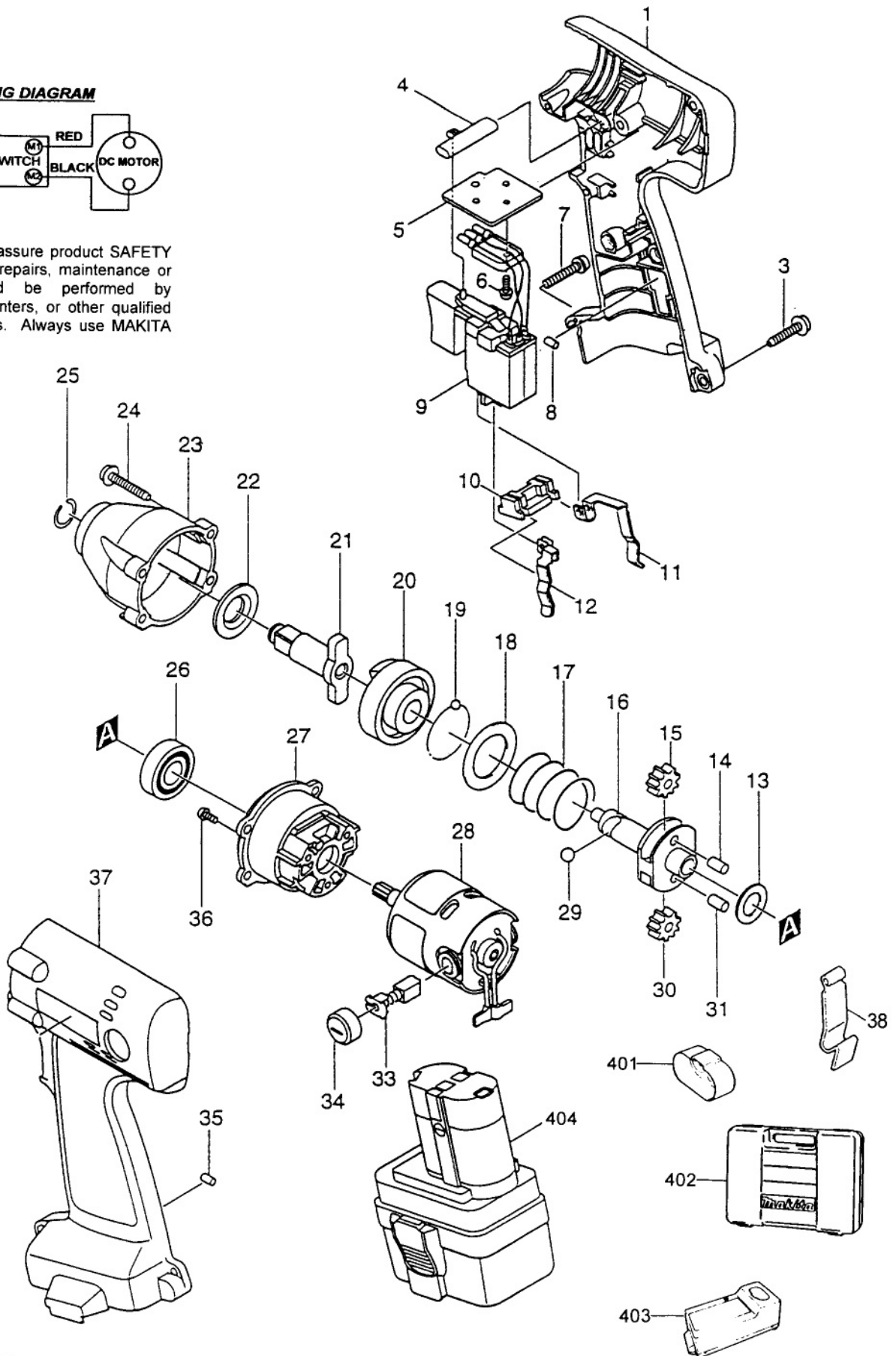


Fig.	Part No.	Qty. Used	Description	Fig.	Part No.	Qty. Used	Description
1	182919-6	1	HOUSING SET (INCL. FIG. 37)	24	265999-8	4	TAPPING SCREW 4X25
3	265995-6	7	TAPPING SCREW 4X18	25	231964-9	1	RING SPRING 7
4	416079-5	1	F/R CHANGE LEVER	26	211101-1	1	BALL BEARING 6001LLB
5	689070-8	1	RADIATING PLATE	27	416313-3	1	INTERNAL GEAR CASE
6	911006-2	1	PAN HEAD SCREW M3X8	28	629710-6	1	DC MOTOR (INCL. SPUR GEAR 7, FIG. 33, 34)
7	911143-2	1	PAN HEAD SCREW M4X22	29	216011-7	2	STEEL BALL 5.6
8	263002-9	1	RUBBER PIN 4	30	226336-1	1	SPUR GEAR 22
9	651939-6	1	SWITCH	31	256253-1	1	PIN 5
10	687085-9	1	HOLDER	33	191966-6	1	CARBON BRUSH CB-424
11	654168-0	1	SPRING TERMINAL (+)	34	643933-2	2	HOLDER CAP
12	654169-8	1	SPRING TERMINAL (-)	35	263002-9	1	RUBBER PIN 4
13	253744-3	1	FLAT WASHER 12	36	266166-8	3	TAPPING SCREW CT 3X8
14	256253-1	1	PIN 5	37	182919-6	1	HOUSING SET (INCL. FIG. 1)
15	226336-1	1	SPUR GEAR 22	38	343579-1	1	SET PLATE
16	322958-6	1	SPINDLE				
17	233193-0	1	COMPRESSION SPRING 24				
18	267148-3	1	FLAT WASHER 23				
19	216008-6	21	STEEL BALL 4				
20	322957-8	1	HAMMER				
21	322796-6	1	ANVIL				
22	261108-7	1	NYLON WASHER 14				
23	152555-2	1	HAMMER CASE COMPLETE				
				ACCESSORIES			
				401	414938-7	2	BATTERY COVER
				402	824489-6	1	PLASTIC CARRYING CASE
				403	DC1411	1	CHARGER
				404	192596-6	2	HIGH CAPACITY BATTERY 9122