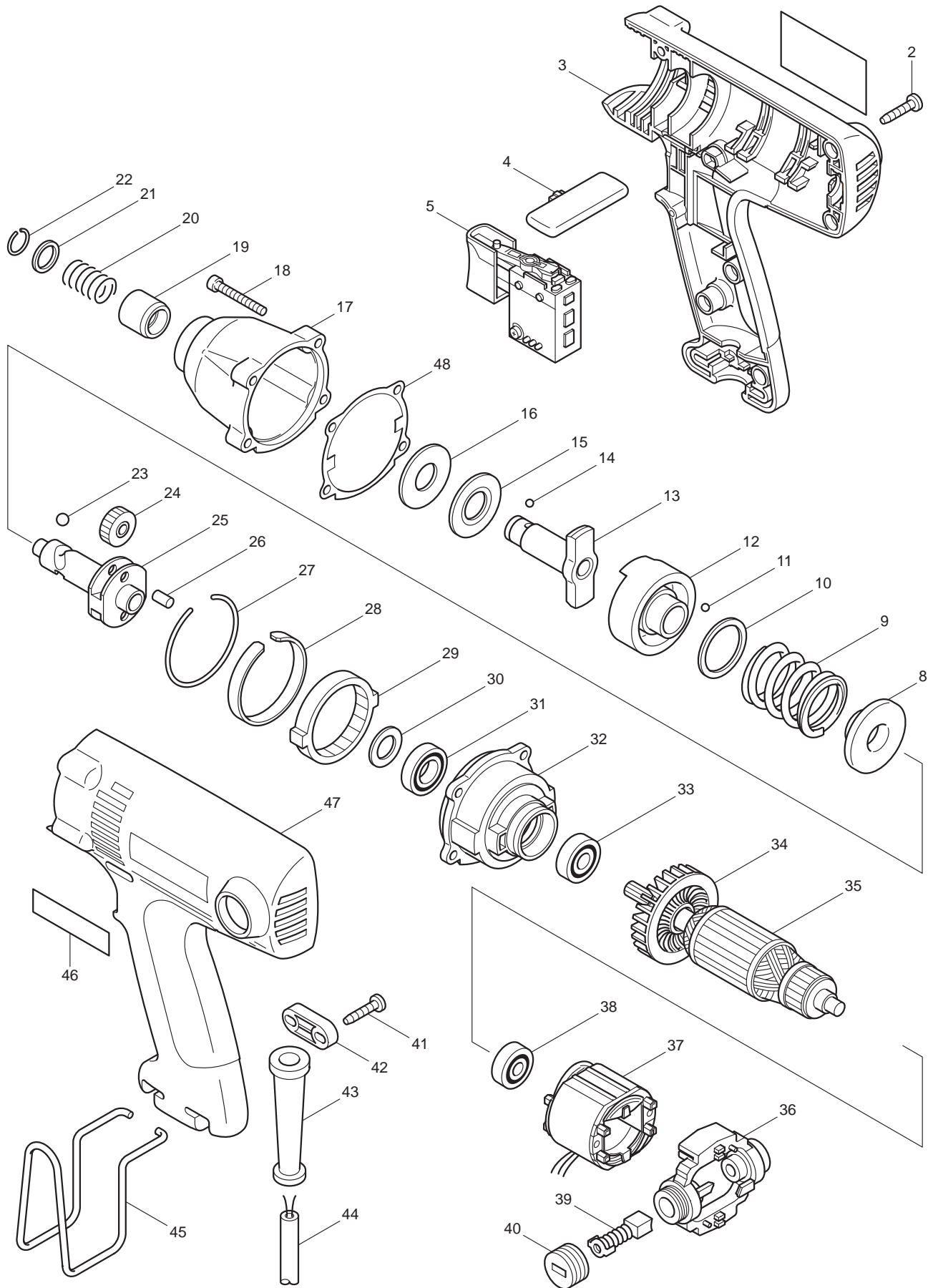




03 - 2010

6952

IMPACT DRIVER DRILL



Item No.	Type	Sub	Part No.	Description	Qty	Unit
2			265995-6	TAPPING SCREW 4X18	7	PC.
3			183394-9	HOUSING SET	1	SET
		INC.	263002-9	RUBBER PIN 4	2	PC.
		INC.		Item No. 46,47		
4			417553-6	F/R CHANGE LEVER	1	PC.
5			650505-6	SWITCH C3MA-D	1	PC.
8			267759-4	CUP WASHER 14	1	PC.
9			233310-2	COMPRESSION SPRING 25	1	PC.
10			267175-0	FLAT WASHER 24	1	PC.
11			216001-0	STEEL BALL 3.5	25	PC.
12			324145-3	HAMMER	1	PC.
13			324177-0	ANVIL M	1	PC.
14			216001-0	STEEL BALL 3.5	2	PC.
15			267226-9	FLAT WASHER 14	1	PC.
16			261119-2	RUBBER WASHER 14	1	PC.
17			152828-3	HAMMER CASE COMPLETE	1	PC.
		INC.	213179-0	OIL SEAL 14	1	PC.
		INC.	257709-7	SLEEVE 14	1	PC.
18			266295-7	HEX. SOCKET HEAD BOLT M4X30	4	PC.
19			324420-7	SLEEVE	1	PC.
20			233005-7	COMPRESSION SPRING 13	1	PC.
21			267085-1	FLAT WASHER 12	1	PC.
22			231951-8	RING SPRING 11	1	PC.
23			216011-7	STEEL BALL 5.6	2	PC.
24			226336-1	SPUR GEAR 22	2	PC.
25			324090-2	SPINDLE	1	PC.
26			256253-1	PIN 5 (OLD# 268070-7 - N/L/A)	2	PC.
27			233910-8	RING SPRING 43	1	PC.
28			344991-8	C-SLEEVE 45	1	PC.
29			227001-5	INTERNAL GEAR 51	1	PC.
30			267212-0	FLAT WASHER 12	1	PC.
31			211140-1	BALL BEARING 6901LLB	1	PC.
32			317428-8	INTERNAL GEAR CASE	1	PC.
33			210024-0	BALL BEARING 608LLU	1	PC.
34			240046-6	FAN 46	1	PC.
35			517541-4	ARMATURE ASS'Y 115V	1	PC.
		INC.		Item No. 33,34,38		
36			152990-4	HOLDER ARM COMPLETE	1	PC.
		INC.	643981-1	BRUSH HOLDER 6X9	2	PC.
37			635031-6	FIELD 115V	1	PC.
38			211021-9	BALL BEARING 607LLB	1	PC.
39	1		191980-2	CARBON BRUSH CB-452 2PC/SET (W/O ORIGIN)	1	SET
	2		195024-0	CARBON BRUSH CB-452 2PC/SET (W/ ORIGIN)	1	SET
40			643928-5	BRUSH HOLDER CAP	2	PC.
41			265995-6	TAPPING SCREW 4X18	2	PC.
42			687063-9	CORD CLAMP	1	PC.
43			682559-5	CORD GUARD 8	1	PC.
44			664064-4	CORD W/PLUG 2P-18-2.5M,SJ	1	PC.
45			324284-9	HOOK	1	PC.
46			819063-3	MAKITA LABEL	1	PC.
47			183394-9	HOUSING SET	1	SET
		INC.	263002-9	RUBBER PIN 4	2	PC.
		INC.		Item No. 3,46		
48			442137-1	GASKET	1	PC.
100			654100-4	GARTER SPRING	2	PC.
101			654501-6	CONNECTOR P-1.25	2	PC.

Item No.	Type	Sub Part No.	Description	Qty	Unit
<u>ACCESSORIES</u>					
- See catalogue or visit www.makita.ca for optional accessories -					
A02		824630-1	PLASTIC CARRYING CASE	1	PC.
	INC.	186347-7	SLIDE LATCH SET	1	SET