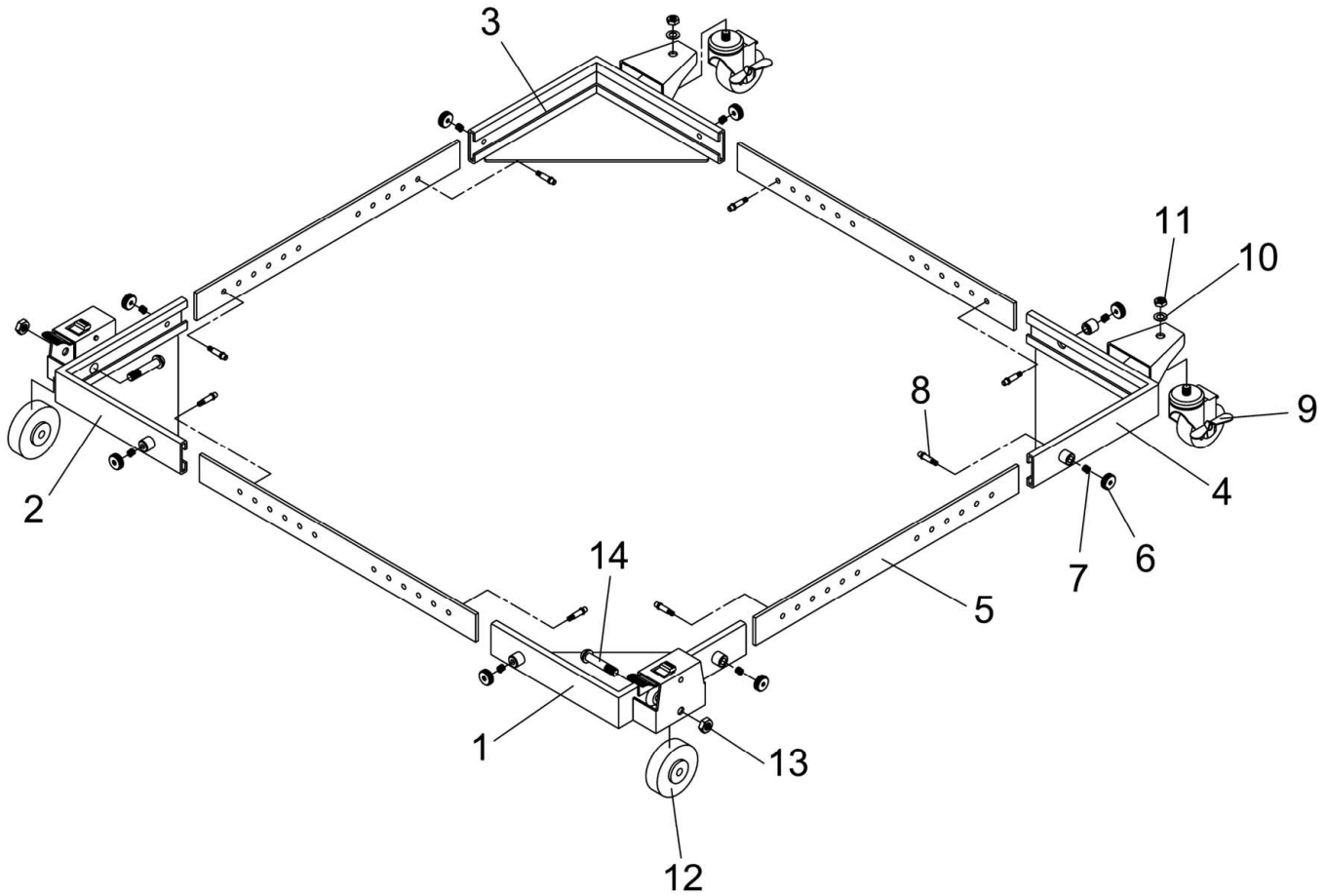


JMB-UMB-HD Parts Breakdown



Part's List for the JMB-UMB-HD Universal Mobile Base

Index No.	Part No.	Description	Size	Qty.
1.....	JMBUMB-01HD	Fixed Castor Bracket - Right.....		1
2.....	JMBUMB-02HD	Fixed Castor Bracket - Left.....		1
3.....	JMBUMB-03HD	Swivel Castor Bracket - Left.....		1
4.....	JMBUMB-04HD	Swivel Castor Bracket - Right.....		1
5.....	JMBUMB-05HD	Side Adjusting Plate.....		4
	708116	Side Adjusting Plate.....	36"	
	708117	Side Adjusting Plate.....	50"	
6.....	JMBUMB-06	Knob.....		8
7.....	JMBUMB-07	Spring.....		8
8.....	JMBUMB-08	Index Pin.....		8
9.....	JMBUMB-09HD	Swivel Castor.....		2
10.....	TS-0720111	Lock Washer.....	1/2"	2
11.....	JMBUMB-11HD	Hex Nut.....	1/2"-12UNC	2
12.....	JMBUMB-12HD	Fixed Wheel.....		2
13.....	TS-0640091	Lock Nut.....	3/8"-16UNC	2
14.....	JMBUMB-14HD	Bolt (Special).....	3/8" x 2-9/16"	2