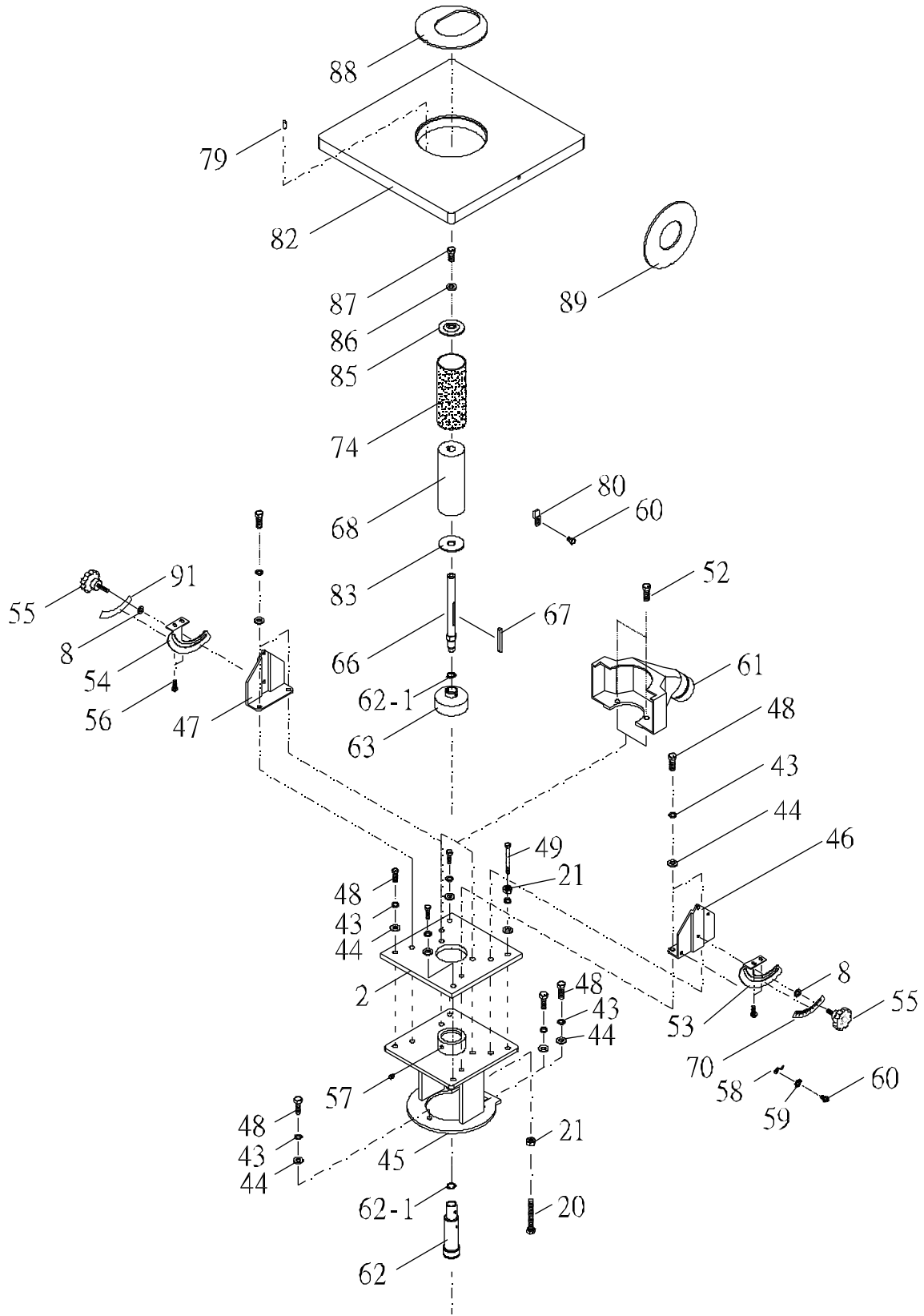
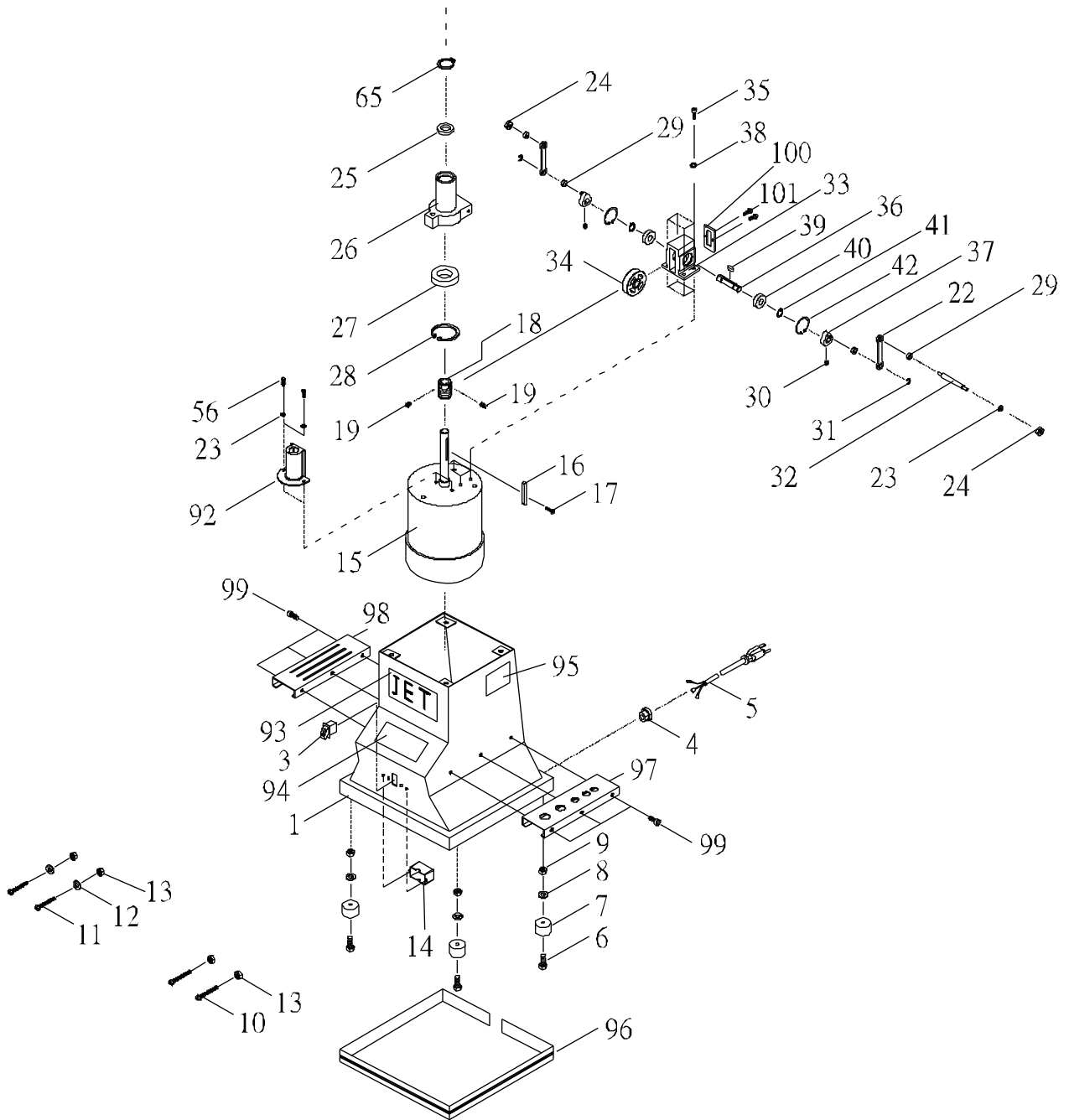


# Table Assembly for the JBOS-5



# Base and Motor Assembly for the JBOS-5



## Parts List for the JBOS-5

Index No.	Part No.	Description	Size	Qty
1	6286914W	Base		1
2	6286891	Top Plate		1
3	JBOS5-03	On/Off Switch		1
4	6286915	Strain Relief Bushing		1
5	6286916	Power Cord		1
6	6286485	Phillips Pan Head Screw	M6x22mm	4
7	6286918	Rubber Feet		4
8	6286919	Washer	1/4"	6
9	6286486	Hex Nut	M6	4
10	6286921	Phillips Pan Head Screw	3/16"-24x1-3/4"	2
11	6286922	Phillips Pan Head Screw	3/16"-24x3/4"	2
12	6286923	Gear Washer	3/16"	4
13	6286924	Hex Nut	3/16"-24	4
14	JBOS5-14	Switch Box		1
15	6286912	Motor	1/2 HP	1
16	6286926	Key	6x6x50 mm	1
17	6286927	Flat Head Screw	M4x10	2
18	6286928	Worm Shaft		1
19	6012098	Set Screw	M5x0.8Px5	2
20	6286930	Transmission Rod		1
21	6286931	Hex Nut	M8	2
22	6286932	Connecting Rod		2
23	6286933	Washer	1/4"	4
24	6286488	Nylon Nut	M5	2
25	BB-6804	Ball Bearing	6804-2RS	1
26	6286470	Transmission		1
27	BB-6006ZZ	Ball Bearing	6006ZZ	1
28	6286938	C-Snap Ring	R60	1
29	6286939	Bushing		4
30	6286481	Set Screw	M5X6	2
31	6286482	E-Ring	ETW-4	2
32	6286471	Connecting Shaft		1
33	6286472	Bracket		1
34	6286473	Worm		1
35	6286490	Hex Socket Cap Screw	M6x15	4
36	6286476	Shaft		1
37	6286480	Crank Shaft		2
38	6286474	Spring Washer	1/4"	4
39	6286475	Key	4x4x15 mm	1
40	BB-6001ZZ	Ball Bearing	6001ZZ	2
41	6286478	C-Snap Ring	S12	2
42	6286479	C-Snap Ring	R28	2
43	6286483	Spring Washer	5/16"	11
44	6286484	Flat Washer	5/16"	11
45	6286948	Housing		1
46	6286949	L-Type Bracket-Right		1
47	6286950	L-Type Bracket-Left		1
48	6286951	Screw	M8x25	11
49	JBOS5-49	Hex Cap Screw	M8x110	1
52	6286951	Screw	M8x16	2
53	JBOS5-53	Support Trunnion-Right		1
54	JBOS5-54	Support Trunnion-Left		1
55	JBOS5-55	JET Lock Knob	M6x15	2
56	JBOS5-56	Hex Socket Cap Screw	M5x15	6
57	6286492	Set Screw	M6x5	1
58	6286961	Pointer		1

Index No.	Part No.	Description	Size	Qty
59	6286493	Gear Washer	1/4"	1
60	6286963	Round Cross Head Screw	M5x10	4
61	6286964	Dust Cover		1
62	6286894	Main Spindle serial #2014090 & lower		1
	6286894N	Main Spindle serial #2024091 & higher		1
62-1	S0520020	C-Ring		1
63	6286967	Cover		1
65	JBOS5-65	C-Snap Ring	S28	1
66	JBOS5-66	5/8" Sanding Spindle		3
	JBOS5-71	1/2" Sanding Spindle (not shown)		1
	JBOS5-72	1/4" Sanding Spindle (not shown)		1
67	JBOS5-67	Key	6x6x50 mm	2
68	6286904	2" P.V.C Bushing		1
	6286903	1-1/2" P.V.C Bushing (not shown)		1
70	JBOS5-70	Scale Label		1
74		Sanding Sleeve (see page 10)		
79	6286495	Spring Pin	3x12 mm	1
80	6286796	5/8" Clamp		1
	6286795	1/2" Clamp (not shown)		1
	6286794	1/4" Clamp (not shown)		1
82	6286973W	Table		1
83	6286798	2" Lower Follower Plate		2
	6286974	1-1/2" Lower Follower Plate (not shown)		1
85	6286799	2" Upper Follower Plate		1
	6286976	1-1/2" Upper Follower Plate (not shown)		1
86	6286977	Washer	5/16"	3
87	6286978	Hex Nut	5/16"	3
88	6286979	Oblong Table Insert (for 1-1/2" and 2" spindles)		1
89	6286980	Round Table Insert (for 1-1/2" and 2" spindles)		1
	6286981	Oblong Table Insert (for 1/4" to 1" spindles), <i>not shown</i>		1
	6286982	Round Table Insert (for 1/4" to 1" spindles), <i>not shown</i>		1
92	JBOS5-92	Oil Cap		1
93	JBOS5-93	JET Label		1
94	JBOS5-94	Warning Label		1
95	JBOS5-95	I.D Label		1
96	JBOS5-96	Stripe		1
97	JBOS5-97	Storage Plate for Drums		1
98	JBOS5-98	Storage Plate for Table Inserts		1
99	TS-1514011	Hex Socket Cap Screw	M6x12	6
100	JBOS5-100	Oil Cover		1
101	JBOS5-101	Pan Head Screw	3/16"x1/4"	2
	JBOS5-105	Open End Wrench (not shown)	14-17mm	1
	JBOS5-106	Open End Wrench (not shown)	10-12mm	1
	709530	Hardware Kit (not shown)		