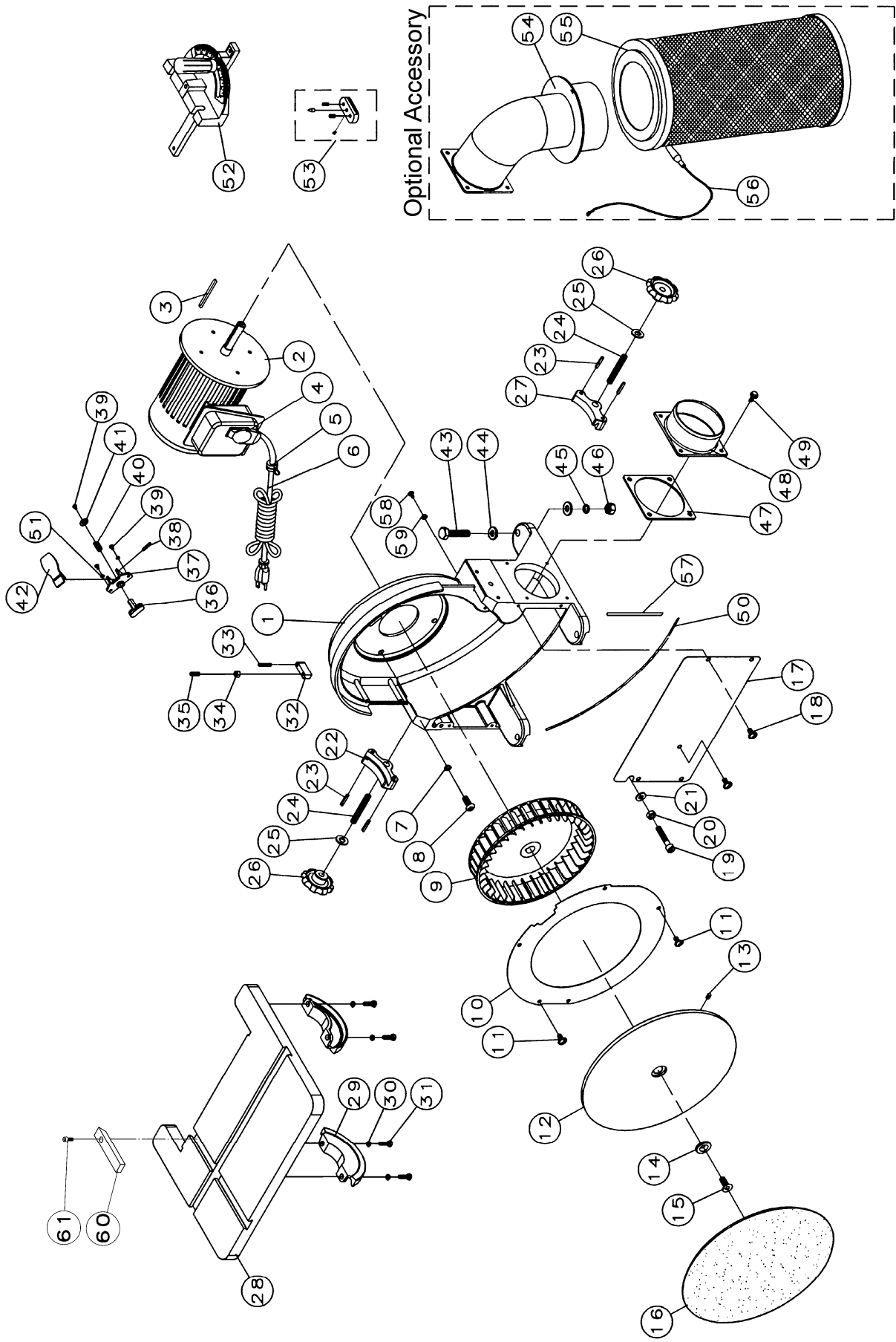


Breakdown for JDS-12B Benchtop Disc Sander



Parts List for JDS-12B Benchtop Disc Sander

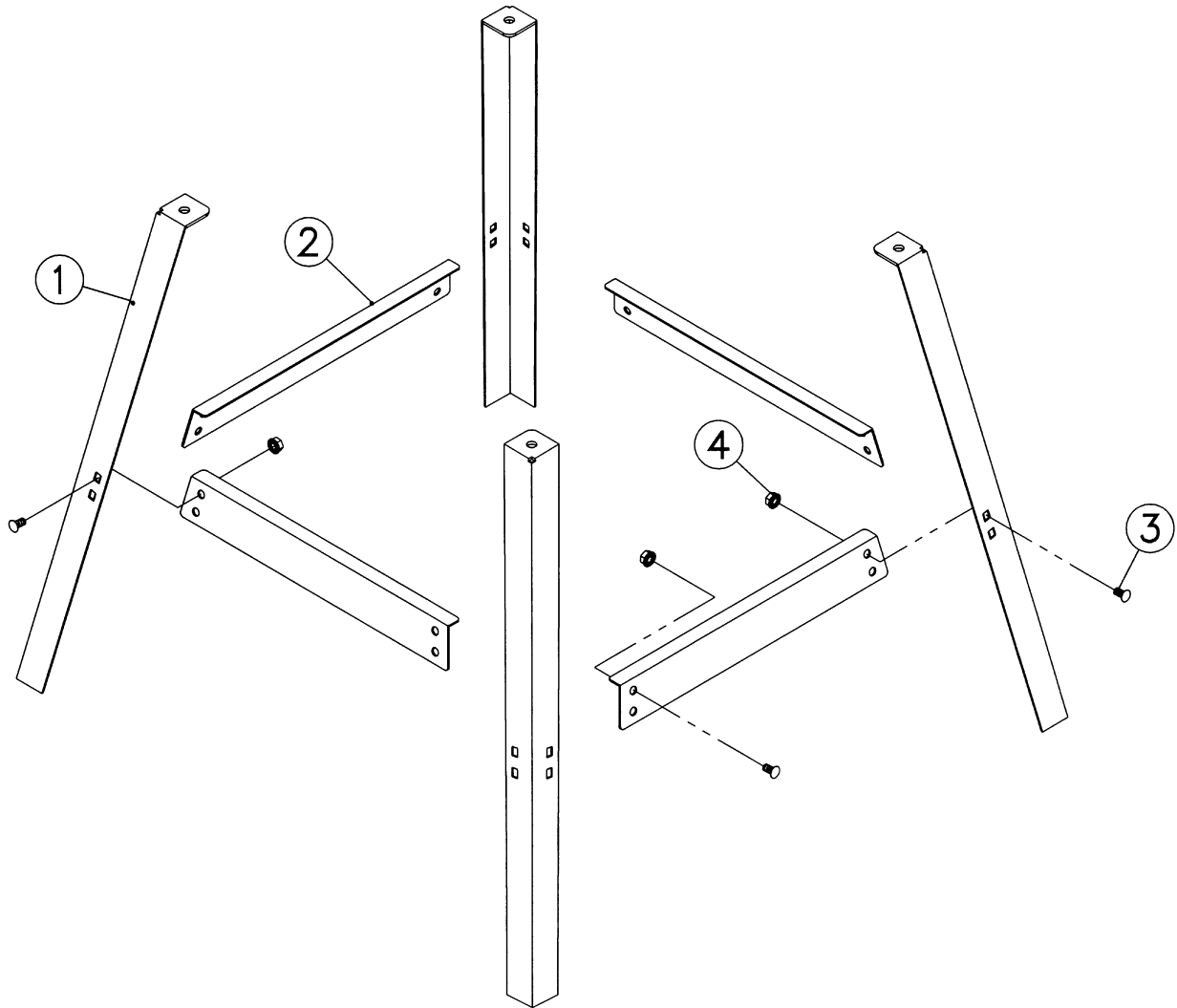
Index No.	Part No.	Description	Size	Qty
1	612131	Guard Base		1
2	MH612001	Motor	1 HP, 1Ph 110V/220V	1
	JDS12B-MFC	Motor Fan Cover (not shown)		1
	JDS12B-MF	Motor Fan (not shown)		1
	JDS12B-CS	Centrifugal Switch (not shown)		1
	JDS12B-CC	Capacitor Cover (not shown)		1
	JDS12B-JBC	Junction Box Cover (not shown)		1
	JDS12B-SC	Starting Capacitor (not shown)	200MFD, 125VAC	1
	JDS12B-RC	Running Capacitor (not shown)	10uF, 250V	1
3	KS050565	Key	5x5x65	1
4	994534	On/Off Switch		1
5	998621	Strain Relief		1
6	IC100001	Power Cord		1
7	TS-1551071	Spring Washer	M8	4
8	SJ080400	Pan Head Socket Bolt	M8x20	4
9	612132	Fan Blade	9"	1
10	612133	Partition		1
11	SF069200	Pan Head Bolt w/Flange	M6x8	5
12	612134	Sanding Disc		1
13	SS060200	Set Screw	M6x8	1
14	612113	Washer		1
15	SM089400	Countersunk Head Bolt	M8x16	1
16		12" Disc Sanding Paper (<i>local purchase</i>)		1
17	612136	Front Cover		1
18	SF069200	Pan Head Bolt w/Flange	M6x8	5
19	TS-1504071	Socket Head Cap Screw	M8x35	1
20	TS-1540061	Hex Nut	M8	1
21	TS-1550061	Flat Washer	M8x18	1
22	612038	Trunnion Holder (A)		1
23	PS062600	Spring Pin	6x26	4
24	SS081200	Set Screw	M8x60	2
25	TS-1550061	Flat Washer	M8x18	2
26	612098	Knob	M8	2
27	612052	Trunnion Holder (B)		1
28	612135	Table		1
29	612046	Trunnion		2
30	TS-1551061	Lock Washer	M8	4
31	TS-1490021	Hex Head Bolt	M8x16	4
32	612010	Locating Block		1
33	PS053600	Spring Pin	5x36	1
34	TS-1540041	Hex Nut	M6	1
35	TS-1523071	Set Screw	M6x25	1
36	612116	Brake		1
37	612118	Brake Fixed Base		1
38	PS042600	Spring Pin	4x26	1
39	SP040200	Pan Head Bolt	M4x10	3
40	612140	Spring		1
41	WF051210	Flat Washer	M5x12	1
42	612115	Stop Handle		1
43	TS-1491061	Hex Head Bolt *	M10x40	4
44	TS-1550071	Flat Washer *	M10x20	8
45	TS-1551071	Lock Washer *	M10	4
46	TS-1540072	Hex Nut *	M10	4
47	612137	Packing		1
48	612145	Inlet	4"	1
49	TS-1482031	Hex Head Bolt *	M6x16	4
50	612099	Sponge		1

51	TS-1551021	Lock Washer	M4	2
52	AB198101	Miter Gauge Assembly		1
53	AB612143	Circle Gauge Assembly (ASM)		1
57	612117	Sponge Gasket		1
58	SP059200	Pan Head Bolt	M5x8	1
59	WE050000	Star Washer	M5	1
60	612171	Filler Bar		1
61	TS-1502011	Socket Head Cap Screw	M5x8	1
*	JDS12B-HK	Hardware Kit (includes # 43-46, 49, and a 3mm hex wrench)		
	JDS12B-WL	Warning Label (not shown)		
	JDS12B-ID	I.D. Label (not shown)		
	JDS12B-JL	JET Label (not shown)		

Optional Accessory – Filter

54	612147	Elbow		1
55	331022	Filter		1
56	331033	Grounding Clip		1

Open Stand Assembly (Optional Accessory)



Index No.	Part No.	Description	Size	Qty
1	612141	Stand Leg		4
2	612142	Stand Support		4
3	SC089400	Carriage Bolt	M8x16	16
4	NF081300	Flange Lock Nut	M8	16
*	OS12DS-HK	Hardware Kit (not shown)		

Electrical Connections

