

Table and Motor – Assembly

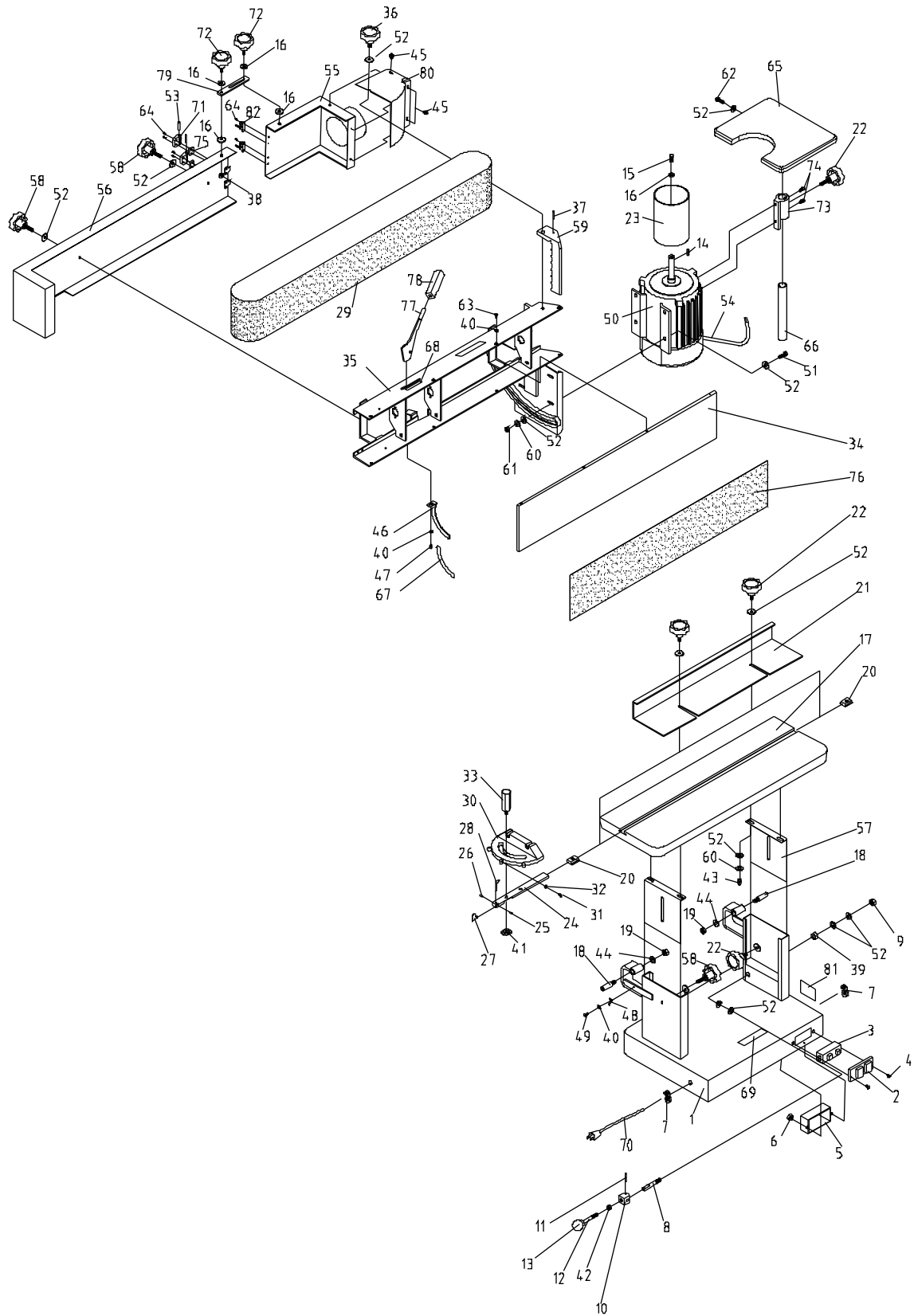


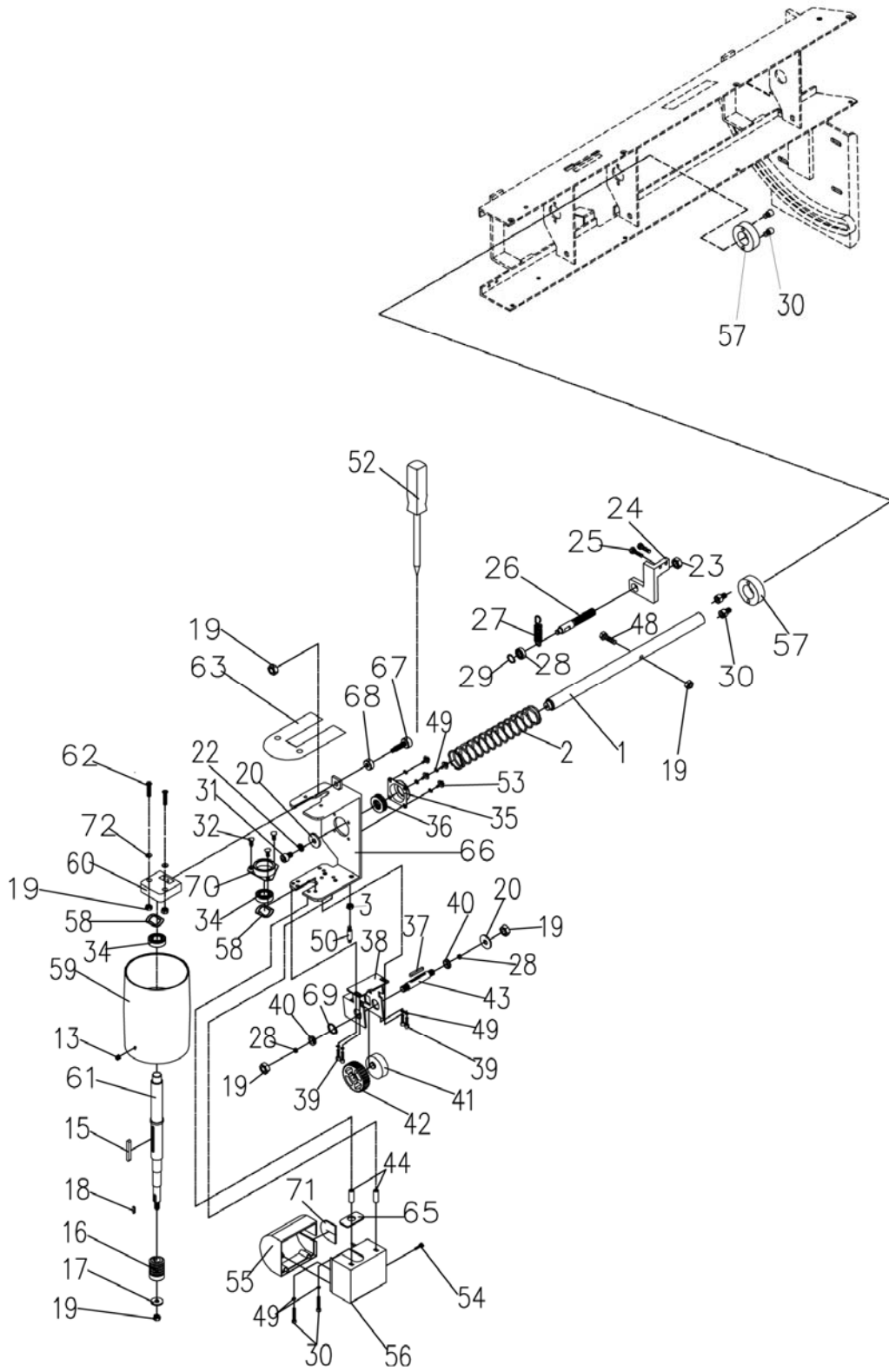
Table and Motor – Parts

Index No.	Part No.	Description	Size	Qty.
1	EHVS80CS-01	Base		1
2	EHVS80-02N	Push Button Switch		1
3	EHVS80-03N	Switch Panel		1
4	TS-081C082	Pan Head Screw	#10-24x1-1/2"	3
5	EHVS80-02B	Switch Box		1
6	TS-0560071	Hex Nut	#10-24	5
7	EHVS80-07	Strain Relief		2
8	EHVS80-08	Work Table Bar		1
9	TS-0640091	Nylon Insert Lock Nut	3/8"-16	1
10	EHVS80-10	Locking Block		1
11	EHVS80-11	Spring Pin	Ø4	1
12	EHVS80-12	Lock Handle		1
13	10102023A	Knob		1
	EHVS80-12A	Lock Handle Assembly (index #12,13)		1
14	S0430525	Key	5x5x25	1
15	TS-0050031	Hex Cap Screw	1/4"-20x3/4"	1
16	TS-0680021	Flat Washer	1/4"	5
17	EHVS80-17	Table		1
18	EHVS80-18	Screw	M10	2
19	TS-1540071	Hex Nut	M10	2
20	EHVS80-20	Guide Block		2
21	EHVS80-21	Fence		1
22	EHVS80-22A	JET Knob	M8x12mm	3
23	OES80CS-23	Drive Drum (<i>serial no. 05110394 and higher</i>)		1
24	EHVS80-24	Guide Bar		1
25	S0310306	Pin	Ø3	1
26	TS-0267021	Set Screw	1/4"-20x1/4"	1
27	EHVS80-27	Location Plate		1
28	EHVS80-28	Pointer		1
29		Sanding Belt (local purchase)	6"W x 89"L	1
30	10104046	Miter Gauge Body		1
	EHVS80-MG	Miter Gauge Assembly (index #20,24-28,30-33,41)		1
31	TS-081B042	Pan Head Screw	#8-32x5/8"	3
32	TS-0560061	Hex Nut	#8-32	3
33	EHVS80-33	Knob		1
34	20101048	Platen		1
35	OES80CS-135	Side Plate		1
	TS-0051061	Hex Cap Screw (motor plate – not shown)	5/16"-18x1-1/4"	2
	TS-0561021	Hex Nut (motor plate – not shown)	5/16"-18	2
36	EHVS80-36A	JET Knob	M8x35mm	1
37	EHVS80-37A	Pin	Ø6x40mm	1
38	TS-0561011	Hex Nut	1/4"-20	2
39	EHVS80-39A	Spacer		1
40	TS-0733031	External Tooth Lock Washer	#10	11
41	EHVS80-28A	Location Block		1
42	TS-0561031	Hex Nut	3/8"-16	1
43	TS-0051021	Hex Cap Screw	5/16"-18x5/8"	4
44	TS-0720091	Lock Washer	3/8"	2
45	EHVS80-49	Washer Head Screw	#10-24 x 3/8"	3
46	EHVS80-57	Tilt Scale		1
47	TS-081C052	Pan Head Screw	#10-24x3/4"	1
48	EHVS80-59	Pointer		1
49	TS-081C022	Pan Head Screw	#10-24x3/8"	2
50	OES80CS-150	Motor	1-1/2HP, 1Ph	1
51	TS-0051061	Hex Cap Screw	5/16"-18x1-1/4"	5

Table and Motor – Parts

Index No.	Part No.	Description	Size	Qty.
52	TS-0680031	Flat Washer	5/16"	10
53	OES80CS-153	Pin		2
54	EHVS80-67	Motor Cord		1
55	OES80CS-155	Dust Port		1
56	OES80CS-156	Sanding Belt Cover		1
57	EHVS80-70A	Up-Down Table Mount Plate		2
58	EHVS80-71A	JET Knob	M8X20mm	4
59	EHVS80-72	Back Stop Bracket		1
60	TS-0720081	Lock Washer	5/16"	14
61	TS-0561021	Hex Nut	5/16"-18	6
62	TS-0051061	Hex Cap Screw	5/16"-18x1-1/4"	2
63	TS-2285121	Flat Head Screw	M5x12	8
64	TS-2284201	Flat Head Screw	M4x20	8
65	EHVS80-94	Extension Table		1
66	EHVS80-96	Supporting Rod		1
67	EHVS80-57A	Tilt Angle Scale Label		1
68	EHVS80-108	Direction Label		1
69	EHVS80-107	Warning Label		1
70	EHVS80-68	Power Cord		1
71	OES80CS-171	Hinge		2
72	OES80CS-172	Knob	M6	2
73	OES80CS-173	Supporting Seat		1
74	TS-0206041	Socket Head Cap Screw	#10-24x3/4"	2
75	OES80CS-175	Spacer		2
76	EHVS80-34G	Graphite Pad		1
77	EHVS80-51	Belt Tension Arm		1
78	EHVS80-54	Tension Arm Handle		1
79	OES80CS-179	Connection Plate		1
80	EHVS80-111	Drum Guard		1
81	OES80CS-181	ID Label		1
82	OES80CS-182	Hinge Bracket		2

Idle Drum – Assembly

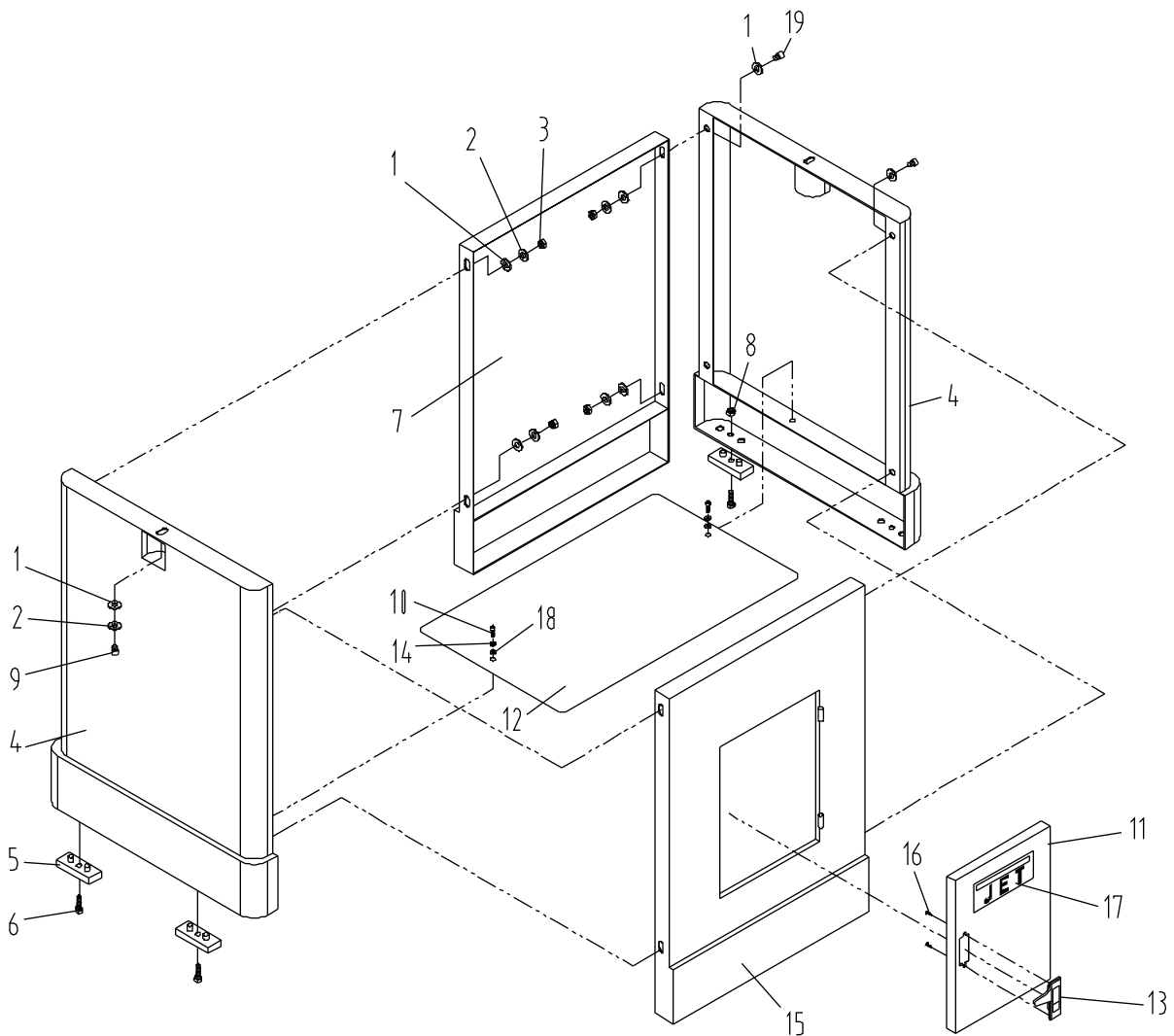


Idle Drum – Parts

Index No.	Part No.	Description	Size	Qty.
.....	OES80CS-IDRA	Idle Drum Complete Assembly (index # 1-72)		1
1.....	OES80CS-201	Tension Bar		1
2.....	OES80CS-203	Spring		1
3.....	TS-0561021	Hex Nut	5/16"	1
13.....	TS-1523011	Socket Set Screw	M6x6	2
15.....	S0400545	Key	5x5x45mm	1
16.....	OES80CS-216	Worm		1
17.....	OES80CS-217	Spacer		1
18.....	S0400425	Key	4x4x25	1
19.....	TS-0640081	Nylon Insert Lock Nut	5/16"	6
20.....	TS-0680031	Flat Washer	5/16"	4
22.....	TS-0720081	Lock Washer	5/16"	6
23.....	TS-2342141	Nylon Insert Lock Nut	M14	2
24.....	OES80CS-224	Bracket		1
25.....	TS-0050031	Hex Cap Screw	1/4"-20x3/4"	2
26.....	OES80CS-226N	Lead Screw		1
27.....	OES80CS-227	Spring		1
28.....	OES80CS-228	Ball Bearing	698	3
29.....	OES80CS-229	Retaining Ring	STW-8	1
30.....	TS-1502051	Socket Head Cap Screw	M5x20	2
31.....	TS-0208061	Socket Head Cap Screw	5/16"x1"	1
32.....	TS-2284121	Flat Head Screw	M4x12	3
34.....	BB-6202VV	Ball Bearing	6202LLU	2
35.....	OES80CS-235	Bearing Housing		1
36.....	BB6003ZZ	Ball Bearing	6003ZZ	1
37.....	S0400430	Key	4x4x30	1
38.....	OES80CS-238	Gear Housing		1
39.....	TS-1502021	Socket Head Cap Screw	M5x10	5
40.....	OES80CS-240	Bushing		2
41.....	OES80CS-241	Cam		1
42.....	OES80CS-242	Worm Gear		1
43.....	OES80CS-243	Worm Gear Shaft		1
44.....	OES80CS-244	Column		2
48.....	TS-0051081	Hex Cap Screw	5/16"-18x1-3/4"	1
49.....	TS-1551031	Lock Washer	M5	6
50.....	OES80CS-250	Rod		1
52.....	EHVS80-81	Belt Tracking Tool		1
53.....	TS-0810012	Round Head Slotted Machine Screw	#10-24x1/4"	4
54.....	OES80CS-254	Self Tapping Screw	M3x6	1
55.....	OES80CS-255	Dust Hood (Left)		1
56.....	OES80CS-256	Dust Hood (Right)		1
57.....	OES80CS-257	Ring		2
58.....	OES80CS-258	Wave Washer		2
59.....	OES80CS-259	Idle Drum		1
60.....	OES80CS-260	Track Adjusting Block		1
61.....	OES80CS-261	Drive Shaft		1
62.....	OES80CS-262	Button Head Socket Screw	5/16"X1-3/4	2
63.....	OES80CS-263	Guard		1
65.....	OES80CS-265	Foam Sheet for Drive Shaft		1
66.....	OES80CS-266	Idle Drum Bracket		1
67.....	OES80CS-267	Track Adjusting Screw		1
68.....	OES80CS-268	Track Adjusting Nut		1
69.....	OES80CS-269	Retaining Ring	S10	1
70.....	OES80CS-270	Bearing Housing		1
71.....	OES80CS-271	Foam Sheet for Lead Screw		1
72.....	OES80CS-272	Cone Disc Spring		2

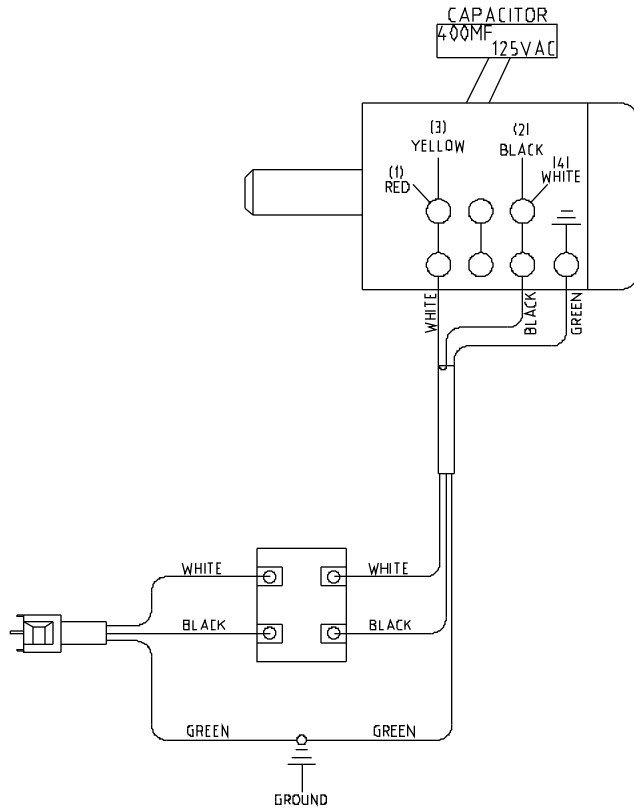
Stand Assembly

Index No.	Part No.	Description	Size	Qty.
1	TS-0680031	Flat Washer	5/16"	22
2	TS-0720081	Lock Washer	5/16"	10
3	TS-0561021	Hex Nut	5/16"-18	8
4	EHVS80CS-S04	Side Panel		2
5	EHVS80CS-S05	Pad		4
6	EHVS80CS-S06	Screw		4
7	EHVS80CS-S07	Rear Panel		1
8	TS-0561021	Hex Nut	5/16"-18	4
9	TS-0051061	Hex Cap Screw	5/16"-18x1-1/4"	2
10	TS-1533032	Pan Head Screw	M5x10	2
11	EHVS80CS-S11	Door		1
12	EHVS80CS-S12	Shelf		1
13	EHVS80CS-S13	Latch Assembly		1
14	TS-1551031	Lock Washer	M5	2
15	EHVS80CS-S15	Front Panel (W/Door)		1
16	EHVS80CS-S16	Screw		2
17	EHVS80CS-S17	JET Label		1
18	TS-1550031	Flat Washer	M5	2
19	TS-0081031	Hex Cap Screw	5/16"-18x3/4"	8



Wiring Diagram

EHVS-80CS ELECTRICAL SCHEMATIC - 115V



EHVS-80CS ELECTRICAL SCHEMATIC - 230V

