

MM/INCH

Pressing this button toggles back and forth between standard (inches) and metric (mm), and can be done at any time without affecting saved settings.

HOLD

The *Hold* button is used to record a critical setting for reference for the purpose of later resetting to that same setting.

For example: In the event that a board being planed becomes jammed due to taper, twist, etc.:

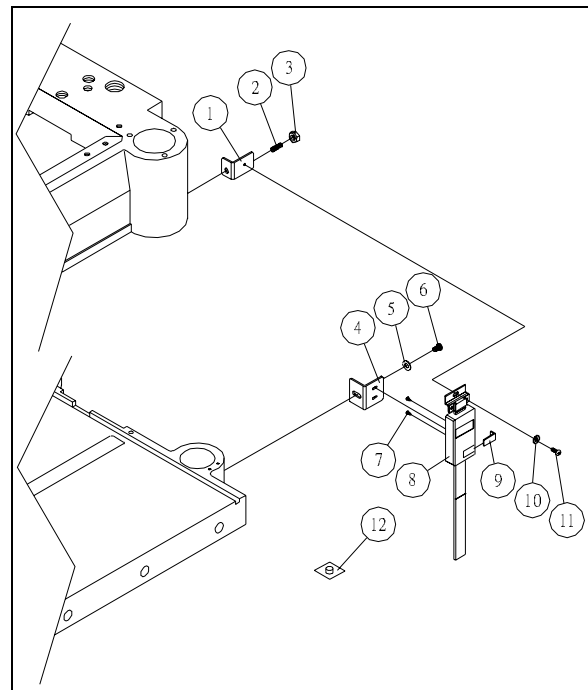
1. Press the HOLD button. The dimension is "frozen" in the display.
2. Lower the table to remove the jammed board. After the jammed board is removed...
3. Make a mental note of the "frozen" dimension (from Step 1).
4. Press HOLD again to return to normal measurements
5. Adjust the table back to its original (frozen display) position.

TOL

Tolerance is an intrinsic feature of the DRO and is not used in planer operation.

Parts

Exploded View



Parts List

Index No.	Part No.	Description	Size	Qty
1	JWPDRO-01	Upper Plate		1
2	TS-2279301	Set Screw	M10x30	1
3	TS-1540071	Hex Nut	M10	1
4	JWPDRO-04	Lower Plate		1
5	TS-1550041	Flat Washer (For 15" Planer)	M6	1
	TS-1550061	Flat Washer (For 20" Planer)	M8	1
6	TS-1503071	Socket Head Cap Screw (For 15" Planer)	M6x30	1
	TS-1504061	Socket Head Cap Screw (For 20" Planer)	M8x30	1
7	TS-1531012	Screw	M3x6	2
8	JWPDRO-08	Digital Readout Body and Scale		1
9	15S-601	Battery Cover		1
10	TS-1550021	Flat Washer	M4	1
11	TS-2171012	Screw	M4x6	1
12	15S-600	Battery	1.5 Volt	2

Ordering Replacement Parts

To order parts or reach our service department, call 1-800-274-6848 between 7:30 a.m. and 5:30 p.m. (CST), Monday through Friday. Having the Model Number and Serial Number of your machine available when you call will allow us to serve you quickly and accurately.