

# Parts

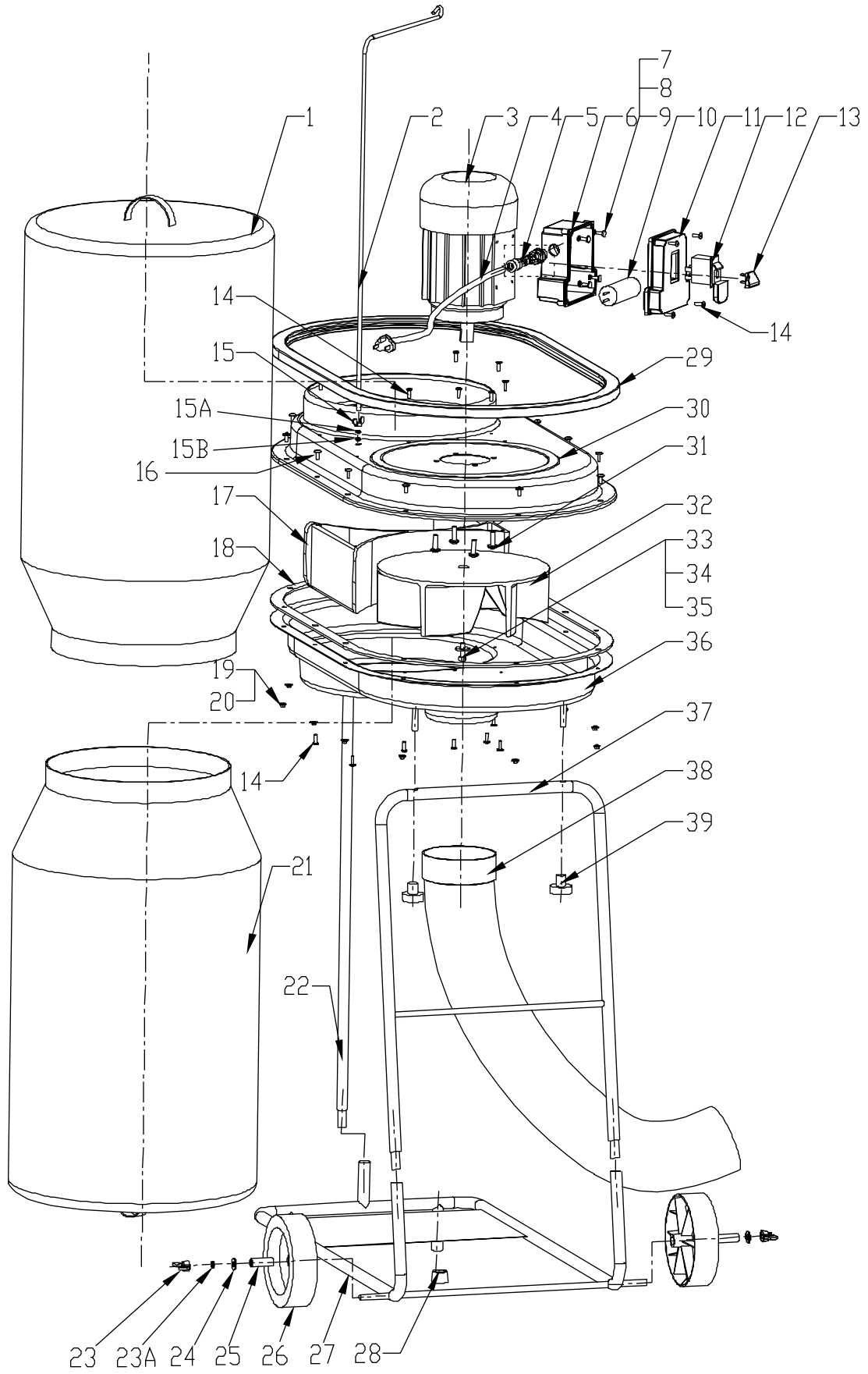
## Ordering Replacement Parts

To order parts or reach our service department, call 1-800-274-6848 between 7:30am and 5:30pm (CST), Monday through Friday. Having the Model Number and Serial Number of your machine available when you call will allow us to serve you quickly and accurately.

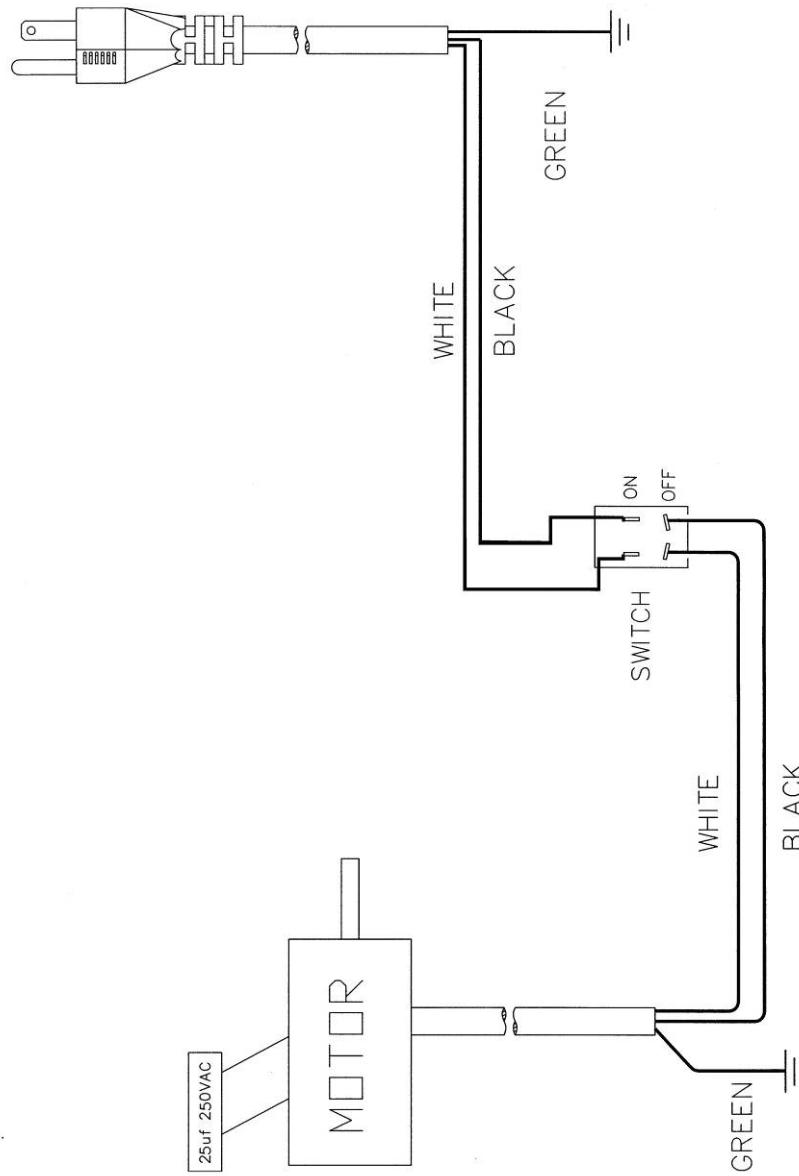
## Parts List

Index No.	Part No.	Description	Size	Qty
1	708385	Filter Bag		1
2	DC500-2	Hook		1
3	DC500-3	Motor	1/2HP, 1Ph, 115V	1
4	DC500-4	Power Cord		1
5	DC500-5	Power Cord Holder		1
6	DC500-6	Switch Box		1
7	TS-1532032	Pan Head Machine Screw	M4x10	4
8	TS-2361041	Lock Washer	M4	4
9	TS-1550021	Flat Washer	M4	4
10	DC500-10	Capacitor	250V, 25µF	1
11	DC500-11	Switch Box Cover		1
12	DC500-12	Switch		1
13	DC500-13	Switch Safety Key		1
14	DC500-14	Pan Head Self Tapping Screw	ST4x12	16
15	TS-2321051	Wing Nut	M5	1
15A	TS-2361051	Lock Washer	M5	1
15B	TS-1550031	Flat Washer	M5	1
16	TS-1532042	Pan Head Machine Screw	M4x12	12
17	DC500-17	Inner Housing		1
18	DC500-18	Rubber Seal		2
19	TS-1540021	Hex Nut	M4	12
20	TS-1550021	Flat Washer	M4	12
21	708386	Collection Bag		1
22	DC500-22	Support Bar		1
23	TS-154306	Wing Nut	M8	2
23A	TS-2361081	Lock Washer	M8	2
24	TS-1550061	Flat Washer	M8	2
25	DC500-25	Sleeve		2
26	DC500-26	Wheel		2
27	DC500-27	Base		1
28	DC500-28	Rubber Foot		2
29	DC500-29	Housing PVC Ring		1
30	DC500-30	Top Housing		1
31	TS-1534042	Pan Head Machine Screw	M6x12	4
32	DC500-32	Impeller		1
33	DC500-33	Bolt (Left Hand Thread)	M6x20 LH	1
34	TS-1550041	Flat Washer	M6	1
35	TS-2361061	Lock Washer	M6	1
36	DC500-36	Bottom Housing		1
37	DC500-37	Frame		1
38	DC500-38	Dust Hose		1
39	DC500-39	Knob		3

# Assembly Drawing



# Wiring Diagram



# **JET**<sup>®</sup>

**WALTER MEIER (Manufacturing) Inc.**

427 New Sanford Road  
LaVergne, Tennessee 37086  
Phone: 800-274-6848  
[www.waltermeier.com](http://www.waltermeier.com)