

28.07.2015 |

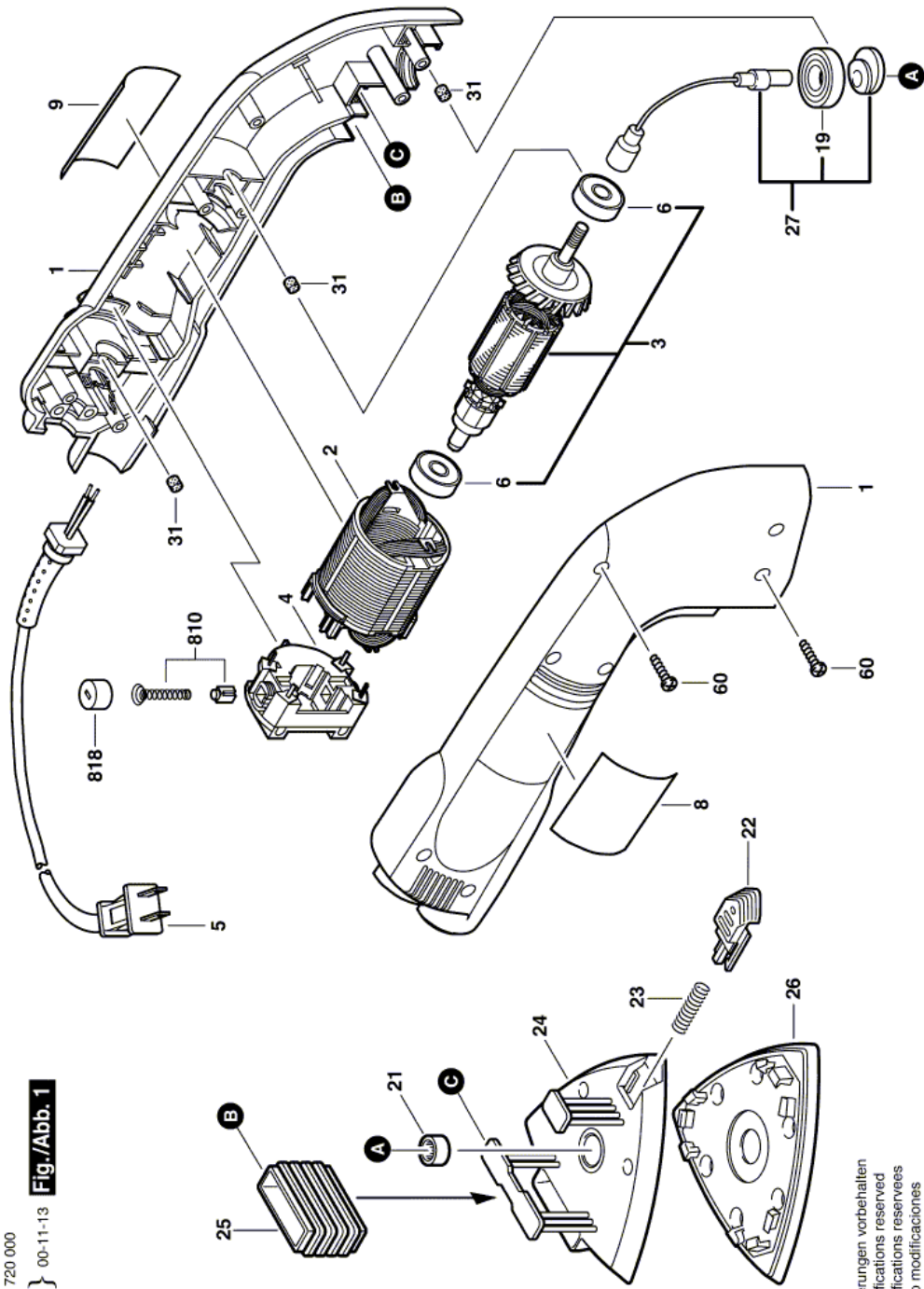
## Sander - F 012 720 000 - 7200

Item	Part Number	Description	Illustration	Price	Quantity	Price Group
1	2 610 909 286	Housing	1	-,-	1	-
2	2 610 909 290	Stator 120V	1	-,-	1	-
3	2 610 909 291	Armature 120V	1	-,-	1	-
4	2 610 909 294	Holder	1	-,-	1	-
5	2 610 909 296	Power supply cord	1	-,-	1	-
6	2 610 005 645	Deep-Groove Ball Bearing	1	-,-	2	19
8	2 610 909 870	Sticker	1	-,-	1	-
9	2 610 909 869	Nameplate	1	-,-	1	-
19	2 610 910 120	Ball Bearing	1	-,-	1	-
21	2 600 917 007	Needle-Roller Bearing	1	-,-	1	16
22	2 608 000 144	Locating Washer	1	-,-	1	11
23	2 604 610 034	Compression Spring	1	-,-	1	11
24	2 601 098 024	Base Plate BLACK	1	-,-	1	19
25	2 600 712 003	Flexible Connection	1	-,-	1	13
26	2 608 000 143	Sander Plate BLACK	1	-,-	1	26
27	2 603 010 002	Flexible Shaft	1	-,-	1	36
31	2 610 350 103	Pin	1	-,-	3	11
60	2 615 294 035	Cross Recessed-Head Screw	1	-,-	7	11
810	2 610 006 477	Carbon-Brush Set	1	-,-	1	21
818	2 615 302 217	Sealing cap	1	-,-	1	16

F 012 720 000

Stand }  
Issue }

**Fig./Abb. 1**



Anderungen vorbehalten  
Modifications reserved  
Modificacions reserveses  
Salvo modificaciones