

Type:
Part no.:

AS_tx 649-1 (60Hz,110V)
72342213110



Item	Part no.	Designation	Quantity	Price RPR excl. VAT (USD)	AT
0010	31903099006	Motor housing	1	on req.	-
0020	30712067017	Brush holder	2	on req.	-
0040	43041001994	Fillister head screw M3,5X10	4	on req.	-
0050	30711067004	Carbon brush	2	on req.	-
0060	43041016042	Fillister head screw	2	on req.	-
0070	51215022110	Stator	1	on req.	-
0090	43001004042	Hexagon socket screw M4X60	2	on req.	-
0100	31428010005	Air guide ring	1	on req.	-
0110	32427040001	Cover	2	on req.	-
0120	43046001002	Sheet metal screw 4,2X13	4	on req.	-
0250	53215007115	Armature 50Hz110V	1	on req.	-
0300	31209013002	Gearbox housing	1	on req.	-
0340	41701607012	Grooved ball bearing	1	on req.	-
0350	30110022002	Drive block	1	on req.	-
0360	30216098002	Bolt	2	on req.	-
0370	33811030002	Gear-wheel	2	on req.	-
0390	41715017008	Needle cage	2	on req.	-
0400	41715013009	Needle cage	2	on req.	-
0410	33804015005	Gear-wheel	1	on req.	-
0420	43002108997	Cylinder head screw M3,5X16	2	on req.	-
0430	41701010032	Grooved ball bearing	1	on req.	-
0440	40221008003	Feather key	1	on req.	-
0450	42641001002	Circlip	1	on req.	-
0465	33809142019	Bevel gear	1	on req.	-
0470	32624087028	Disc 87X0,1	1	on req.	-
0470	32624087034	Disc 15x9,2x0,3	1	on req.	-
0490	32624086024	Disc 0,1 mm	1	on req.	-
0490	32624086030	Disc 0,3 mm	1	on req.	-
0500	40221017004	Feather key	1	on req.	-
0510	33405022003	Eccentric shaft	1	on req.	-
0515	33405022028	Eccentric shaft	1	on req.	-
0520	30217200004	Bolt	1	on req.	-
0530	41724001005	Roller	1	on req.	-
0550	32408212006	Shim	1	on req.	-
0560	42616006007	Circlip	1	on req.	-
0580	41701222038	Grooved ball bearing	1	on req.	-
0590	42019006080	Nut	1	on req.	-
0620	32419063000	Bearing plate	1	on req.	-
0630	42616003002	Circlip	1	on req.	-
0640	40247006002	Pin	2	on req.	-
0650	43035073052	Cylinder head screw M5X16	4	on req.	-
0660	42443004057	Circlip M5	13	on req.	-
0680	32408232004	Disc	1	on req.	-
0690	40247007006	Pin	2	on req.	-
0700	32429068000	Cover	1	on req.	-
0705	32429068019	Cover	1	on req.	-
0770	32714057002	Rod	1	on req.	-
0775	32714057011	Rod	1	on req.	-
0780	32714059004	Link	1	on req.	-

Type:
Part no.:

AS_tx 649-1 (60Hz,110V)
72342213110



Item	Part no.	Designation	Quantity	Price RPR excl. VAT (USD)	AT
0790	43035080068	Cylinder head screw	2	on req.	-
0800	40201036006	Straight pin	1	on req.	-
0810	43007038088	Stud bolt	2	on req.	-
0820	32714011000	Plate	1	on req.	-
0830	42001009080	Hex nut M8	2	on req.	-
0835	42401019085	Disc	2	on req.	-
0840	42401018069	Disc	4	on req.	-
0850	40238041005	Clamping sleeve	2	on req.	-
0860	42445003060	Spring washer	2	on req.	-
0870	42001029066	Hex nut	2	on req.	-
0880	43033015052	Cylinder head screw M5X30	1	on req.	-
0890	43035073052	Cylinder head screw M5X16	8	on req.	-
0900	31604008001	Bearing	4	on req.	-
0910	32714058000	Wiper	2	on req.	-
0920	31204179000	Handle half shell	1	on req.	-
0925	30604042007	Felt ring	1	on req.	-
0930	30701274010	Switch	1	on req.	-
0935	31506209007	Intermediate bearing	1	on req.	-
0940	43041035047	Fillister head screw	2	on req.	-
0950	31324121000	Seal	1	on req.	-
0960	32431042008	Cable clamping piece	1	on req.	-
0970	43070035002	Screw	1	on req.	-
0980	31324123000	Housing	1	on req.	-
0990	31412063000	Terminal	2	on req.	-
1010	30605041005	Plate	1	on req.	-
1030	31413094007	Cable grommet	1	on req.	-
1040	31204180000	Handle half shell	1	on req.	-
1050	43070031003	Screw	3	on req.	-
1055	43070038007	Screw	1	on req.	-
1070	30719655010	Connecting cable	2	on req.	-
1111	30707181014	Cable with plug	1	on req.	-
1200	41701204131	Grooved ball bearing	1	on req.	-
1210	43035019059	Cylinder head screw M5X30	4	on req.	-
1220	42443004057	Circlip M5	4	on req.	-
1230	41701207033	Grooved ball bearing	1	on req.	-
1250	33023059003	Bolt	2	on req.	-
1260	42019005052	Nut	2	on req.	-
1270	43035025059	Cylinder head screw M5X65	2	on req.	-
1280	42443004057	Circlip M5	4	on req.	-
1290	32411069004	Disc	1	on req.	-
1300	30601082001	Felt ring	1	on req.	-
1310	32612077003	Sealing ring	1	on req.	-
1730	33412015000	Bolt	1	on req.	-
1735	33412015019	Bolt	1	on req.	-
1740	30510025004	Sleeve	1	on req.	-
1750	30901113008	Spiral spring	1	on req.	-
1760	32601193008	Ring	1	on req.	-
5000	32119044012	Handle	1	on req.	-
5010	32119044003	Handle	1	on req.	-
5020	33211022001	Clamp	1	on req.	-

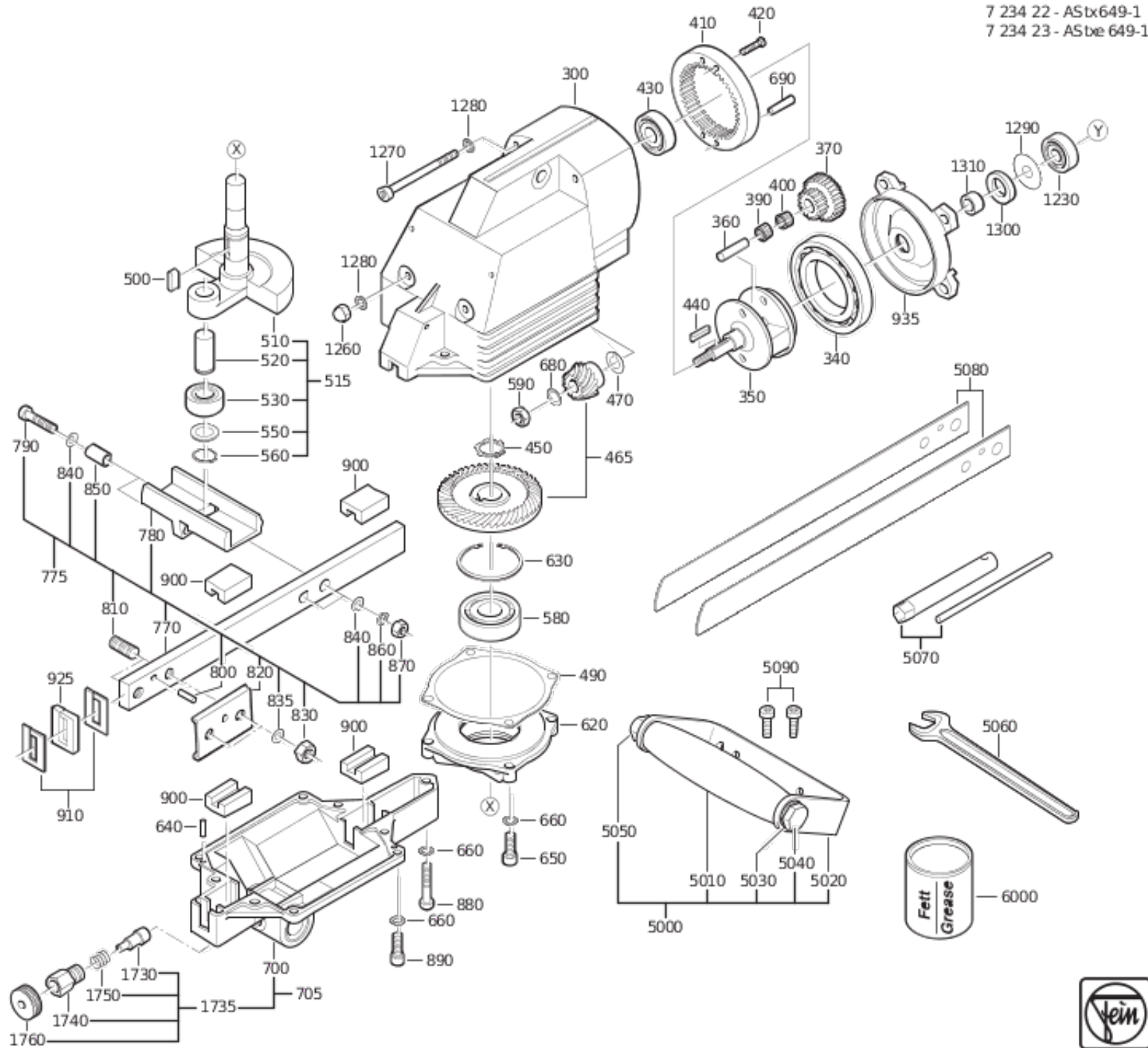
Type:**AStx 649-1 (60Hz,110V)****Part no.:****72342213110**

Item	Part no.	Designation	Quantity	Price RPR excl. VAT (USD)	AT
5030	42401017104	Disc	1	on req.	-
5040	43001059102	Hexagon socket screw M10X150	1	on req.	-
5050	42019007105	Nut	1	on req.	-
5060	62901007007	Jaw spanner SW13	1	on req.	-
5070	62906009007	Socket spanner SW 8	1	on req.	-
5080	63503063007	Saw blades	2	on req.	-
5090	43035014056	Cylinder head screw M5X12	2	on req.	-
6000	32132007011	Lubricant can 0,850 kg	1	on req.	-
9000	34101081060	Operating instructions	1	on req.	-
9010	34151081000	List of spare parts AStx/e 649-1	1	on req.	-
9020	34130054061	Safety instruction	1	on req.	-

Type:
Part no.:

AStx 649-1 (60Hz,110V)
72342213110

7 234 22 - AStx649-1
7 234 23 - ASbe 649-1



Type:
Part no.:

AStx 649-1 (60Hz,110V)
72342213110

7 234 22 - AStx 649-1
7 234 23 - ASbe 649-1

