

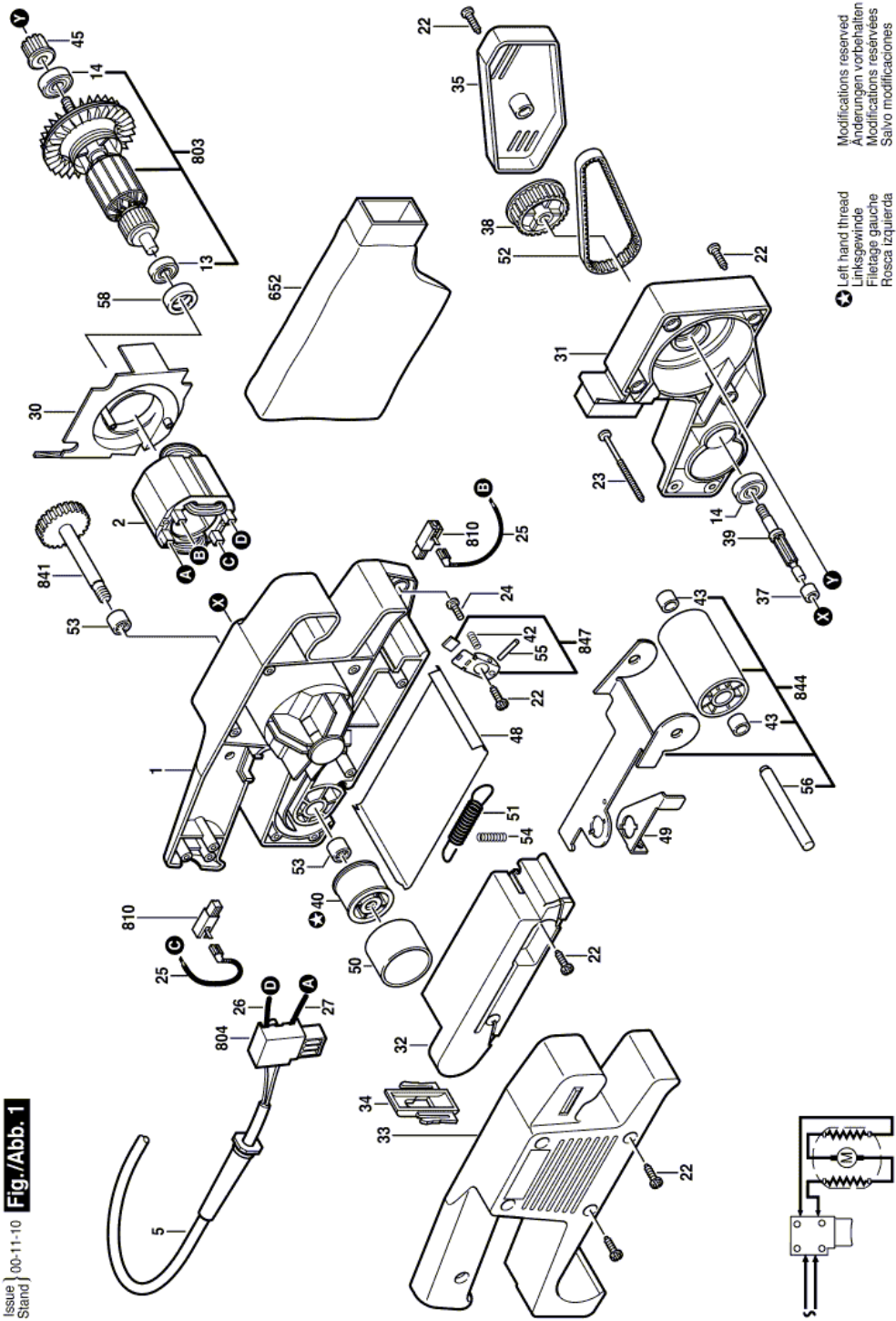
Un-Hd Belt Sander - F 012 731 38A - 7313

Item	Part Number	Description	Illustration	Price	Quantity	Price Group
1	2 610 909 580	Motor Housing	1	-,-	1	25
2	2 610 352 364	Pole Shoe 120V	1	-,-	1	-
5	2 610 354 068	Power supply cord	1	-,-	1	-
13	2 610 005 645	Deep-Groove Ball Bearing	1	-,-	1	19
14	2 610 305 670	Ball Bearing	1	-,-	1	-
22	1 619 X00 504	Screw	1	-,-	13	10
23	2 610 352 374	Headless Screw	1	-,-	2	11
24	2 610 367 556	Screw	1	-,-	1	11
25	2 610 038 615	Connecting Cable	1	-,-	2	-
26	2 610 039 850	Connecting Cable	1	-,-	1	11
27	2 610 039 851	Connecting Cable	1	-,-	1	11
30	2 610 919 663	Air Guide Plate	1	-,-	1	14
31	2 610 909 578	Bearing cover	1	-,-	1	20
32	2 610 909 579	Base Support	1	-,-	1	16
33	2 610 909 581	Cover	1	-,-	1	22
34	2 610 390 788	Plate RED	1	-,-	1	13
35	2 610 909 583	Cover	1	-,-	1	13
37	2 610 348 609	Needle-Roller Bearing	1	-,-	1	14
38	2 610 354 001	Pulley	1	-,-	1	15
39	2 610 354 011	Jack Shaft	1	-,-	1	27
40	2 610 354 016	Roller	1	-,-	1	18
42	2 610 361 473	Spring	1	-,-	1	11
43	2 610 361 694	Bearing	1	-,-	1	13
45	2 610 372 768	Toothed Belt Wheel	1	-,-	1	-
48	2 610 907 974	Plate	1	-,-	1	19
49	2 610 907 638	Lever	1	-,-	1	-
50	2 610 372 780	Ring	1	-,-	1	12
51	2 610 372 781	Spring	1	-,-	1	12
52	2 610 372 783	Drive Belt	1	-,-	1	16
53	2 610 372 789	Bearing	1	-,-	2	15
54	2 610 373 415	Spring	1	-,-	1	11
55	2 610 374 649	Dowel pin	1	-,-	1	11
56	2 610 913 863	Shaft	1	-,-	1	48

Item	Part Number	Description	Illustration	Price	Quantity	Price Group
58	2 610 373 997	Bushing	1	-,-	1	13
652	2 610 373 400	Dust Bag GREEN	1	-,-	1	23
803	2 610 906 138	Armature 120V	1	-,-	1	43
804	2 610 353 949	On-Off Switch	1	-,-	1	23
810	2 610 967 197	Carbon-Brush Set	1	-,-	1	21
841	2 610 354 747	Spindle With Gear	1	-,-	1	22
844	2 610 906 137	Roller	1	-,-	1	31
847	2 610 918 936	Calibration Arm	1	-,-	1	23

F012 731 38A
 Issue | 00-11-10
 Stand

Fig./Abb. 1



⚙️ Left hand thread
 Linksgewinde
 Filetage gauche
 Rosca Izquierda

Modifications reserved
 Änderungen vorbehalten
 Modifications réservées
 Salvo modificaciones