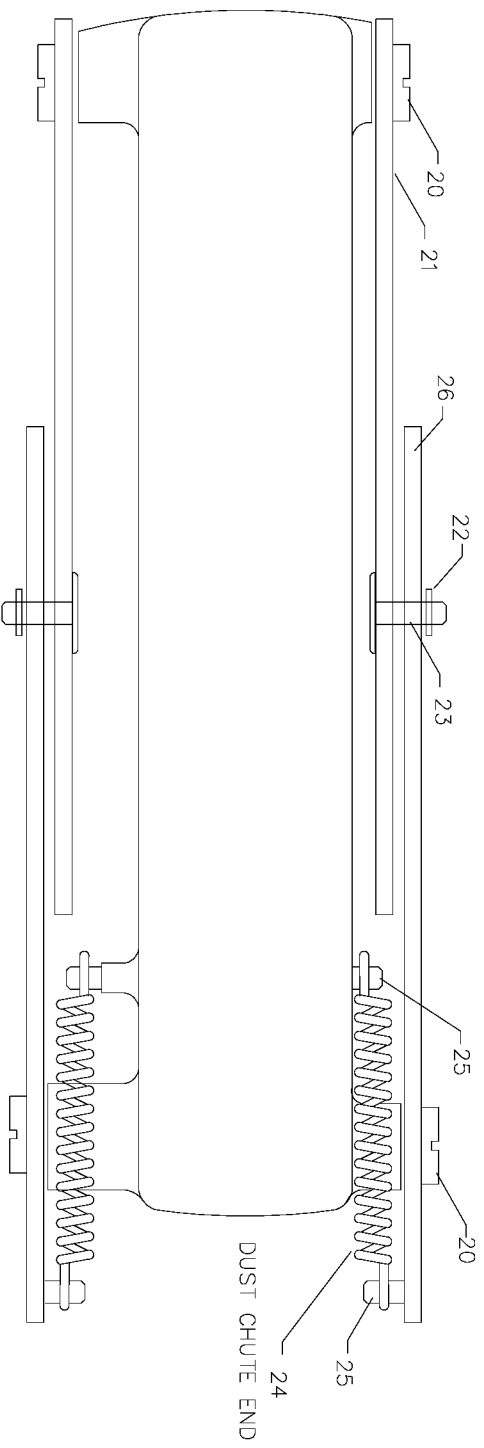




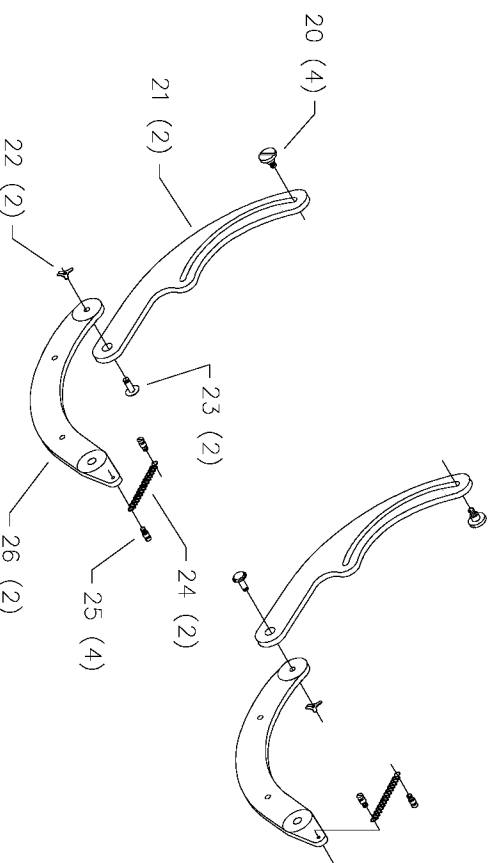
733450
RETRACTABLE LEAF GUARD
FOR 16" RADIAL ARM SAWS

A368

DATE 04-08-03



NOTE LOCATION OF SPRING AND RELATIONSHIP OF FRONT AND REAR LEAF GUARDS



Parts List for 733450 Type 1

Item Number	Part Number	Description	Qty Required
20	901090112455	STUD	4
21	424040540011	REAR LEAF	2
22	904152107403	CLIP	2
23	424011110003	STUD	2
24	928022313394	SPRING	2
25	901090112456	STUD	4
26	424040540010	FRONT LEAF	2