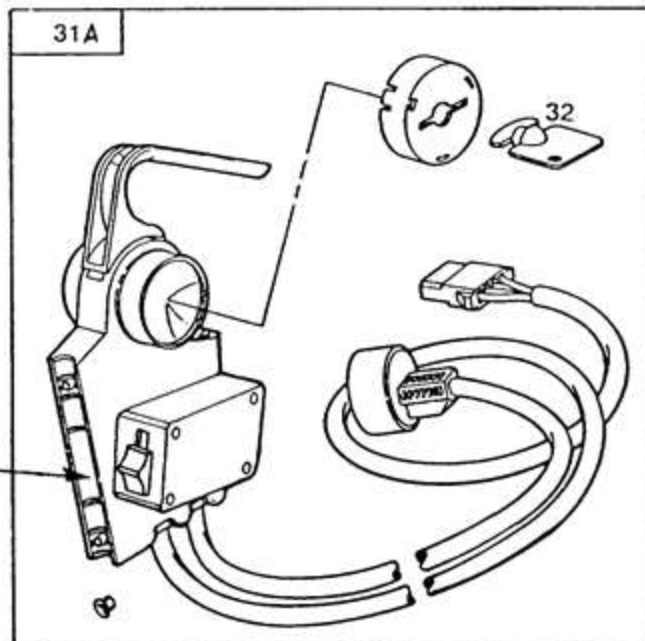
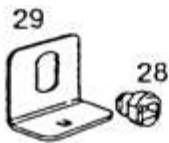
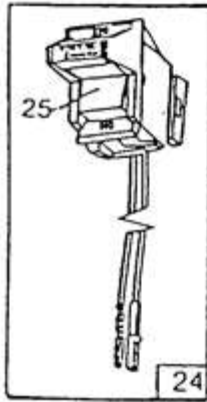
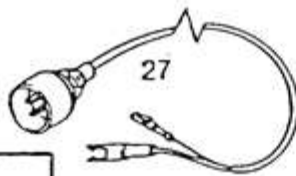
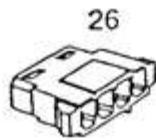
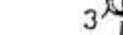
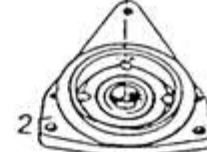
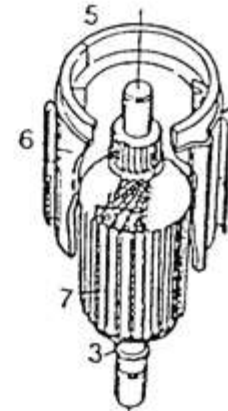
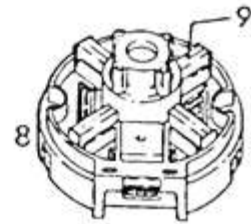
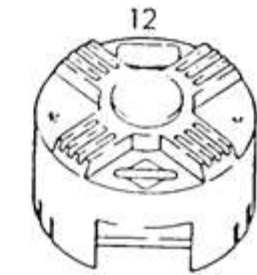
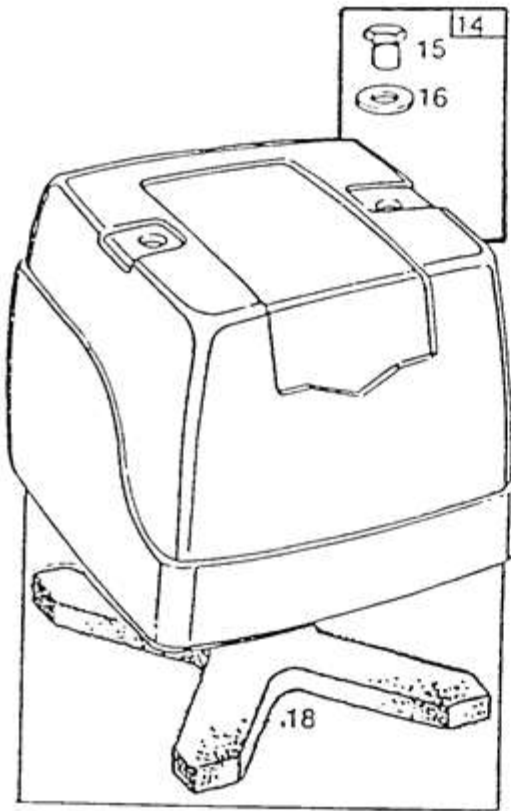


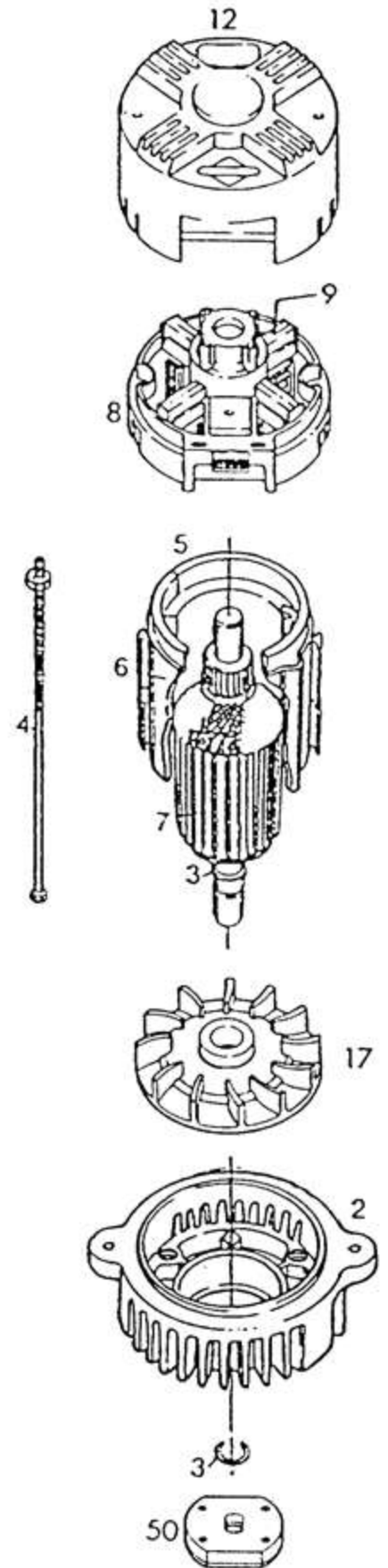
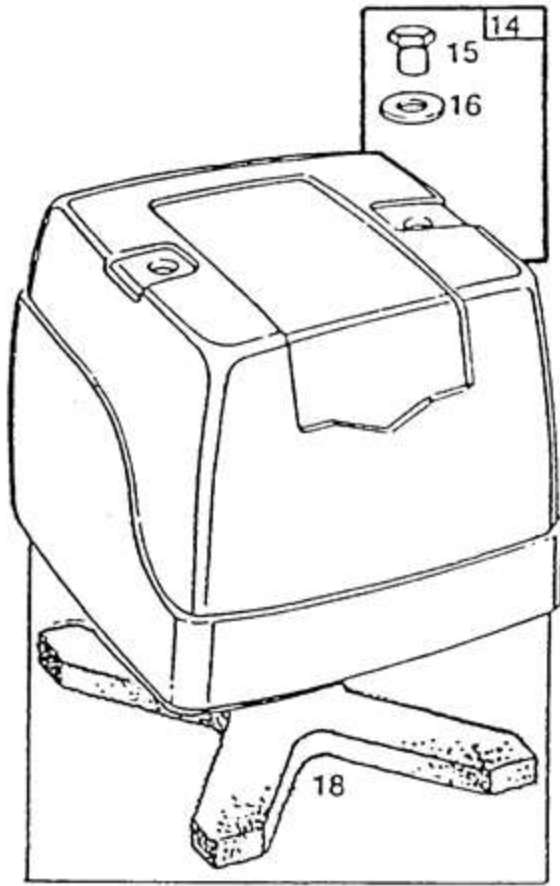
PART NUMBER
LOCATION



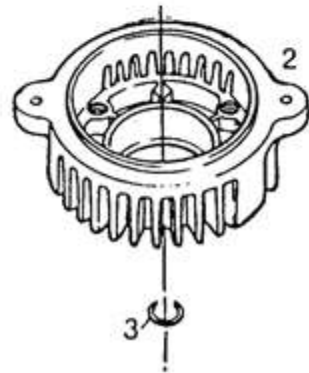
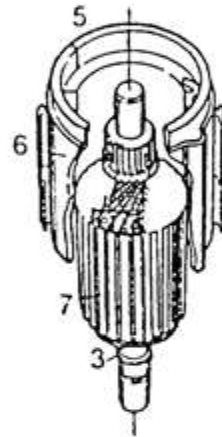
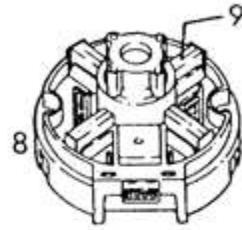
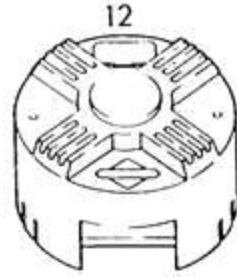
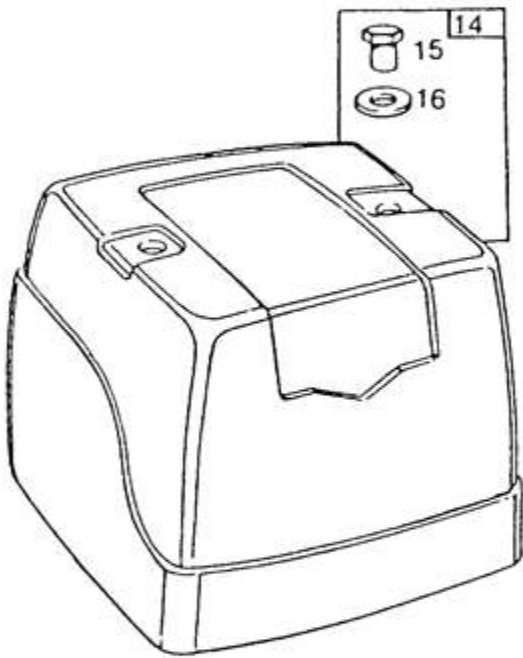
Ref #	Part #	Description	Context Note	Foot Note
31A	490250	Control Assembly (Three Speed)		
31	399192	Motor Control (Four Conductor) (12 Amp)	Used to Replace Parts Numbers 398241, 398406, 398407, 398774, 398775, 398776, 398777, 398778, 399049, 399050, 399051, 399053, 493447, 493450	
31	491234	Control Assembly (Two Conductor)	Used to Replace Part Number 490969	
32	280593	Key Set (Includes 2 Keys)		



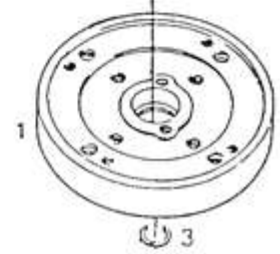
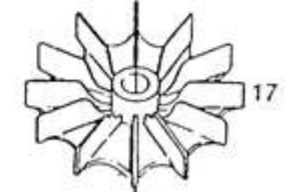
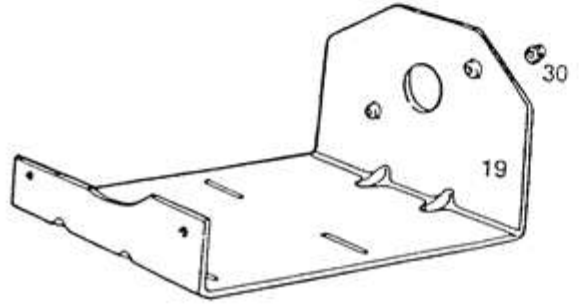
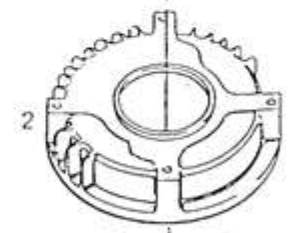
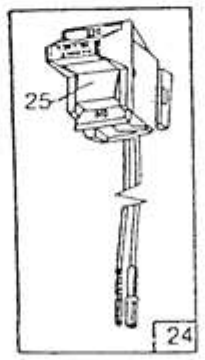
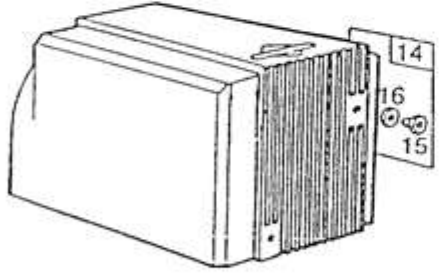
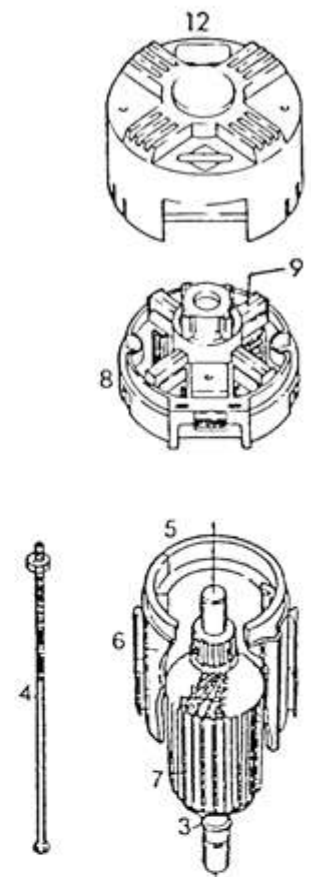
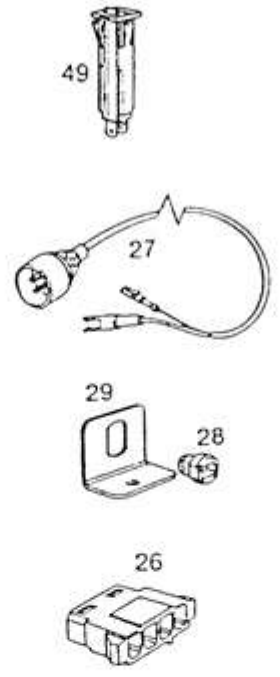
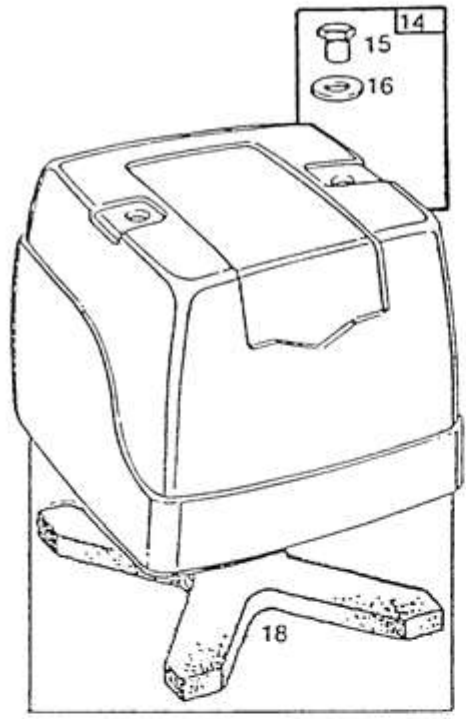
Ref #	Part #	Description	Context Note	Foot Note
2	213119	Housing-Fan		
2	394770	End Cap-Drive		
2	397666	End Cap-Drive		
3	395477	Ring Set-Retaining		
4	490832	Bolt-Thru (Includes Two Sets)		
5	399995	Housing Assembly		
6	490830	Insulator Group-Housing		
7	490233	Armature & Fan Group		
7	490829	Armature Group		
8	490833	Box-Brush		
9	490834	Brush Set		
12	280709	End Cap-Brush		
14	396267	Cover-Motor (Includes Hardware And Filter)		
15	231298	Nut-Hex.		
16	93852	Washer, Steel Zinc		
17	491389	Fan		
18	271792	Filter		
24	398135	Switch-Starter		
25	280594	Switch-Key		Used Before Code Date 911001
25	281221	Switch-Key		Used After Code Date 910930
26	280081	Socket-Regulator And Rectifier Lead Wire		
27	398270	Cord-Power Supply		
28	280556	Bushing-Cord		
48	94376	Key-Square		



Ref #	Part #	Description	Context Note	Foot Note
2	213119	Housing-Fan		
2	394770	End Cap-Drive		
2	397666	End Cap-Drive		
3	395477	Ring Set-Retaining		
4	490832	Bolt-Thru (Includes Two Sets)		
5	399995	Housing Assembly		
6	490830	Insulator Group-Housing		
7	490233	Armature & Fan Group		
7	490829	Armature Group		
8	490833	Box-Brush		
9	490834	Brush Set		
12	280709	End Cap-Brush		
14	396267	Cover-Motor (Includes Hardware And Filter)		
15	231298	Nut-Hex.		
16	93852	Washer, Steel Zinc		
17	491389	Fan		
18	271792	Filter		
50	490845	Clutch Assembly		



Ref #	Part #	Description	Context Note	Foot Note
2	213119	Housing-Fan		
2	394770	End Cap-Drive		
2	397666	End Cap-Drive		
3	395477	Ring Set-Retaining		
4	490832	Bolt-Thru (Includes Two Sets)		
5	399995	Housing Assembly		
6	490830	Insulator Group-Housing		
7	490233	Armature & Fan Group		
7	490829	Armature Group		
8	490833	Box-Brush		
9	490834	Brush Set		
12	280709	End Cap-Brush		
14	396267	Cover-Motor (Includes Hardware And Filter)		
15	231298	Nut-Hex.		
16	93852	Washer, Steel Zinc		
17	491389	Fan		



Ref #	Part #	Description	Context Note	Foot Note
1	399354	Housing Assembly-Bearing		
2	213119	Housing-Fan		
2	394770	End Cap-Drive		
2	397666	End Cap-Drive		
3	395477	Ring Set-Retaining		
4	490832	Bolt-Thru (Includes Two Sets)		
5	399995	Housing Assembly		
6	490830	Insulator Group-Housing		
7	490233	Armature & Fan Group		
7	490829	Armature Group		
8	490833	Box-Brush		
9	490834	Brush Set		
12	280709	End Cap-Brush		
14	396267	Cover-Motor (Includes Hardware And Filter)		
15	231298	Nut-Hex.		
16	93852	Washer, Steel Zinc		
17	491389	Fan		
18	271792	Filter		
19	223565	Bracket-Mounting (Nema 56)		
20	90832	Washer-Lock		
21	94151	Screw-Hex. Head		
24	398135	Switch-Starter		
25	280594	Switch-Key		Used Before Code Date 911001
25	281221	Switch-Key		Used After Code Date 910930
26	280081	Socket-Regulator And Rectifier Lead Wire		
27	398270	Cord-Power Supply		
28	280556	Bushing-Cord		
30	93991	Nut-Lock (10-24)		