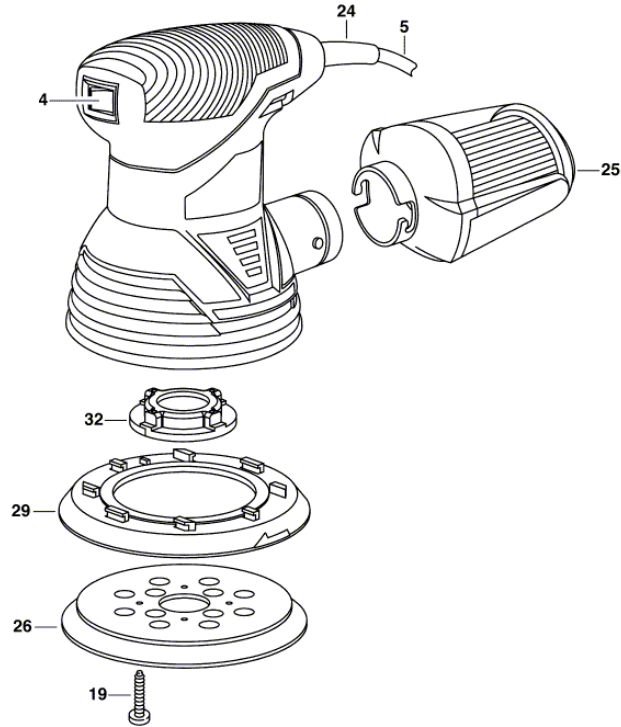


F 012 749 200 7492-02

F 012 749 200

Stand } 09-07-15 Fig./Abb. 1
Issue }



Änderungen vorbehalten
Modifications reserved
Modifications réservées
Salvo modificaciones

Item	Quantity	Order No.	Designation	Price group	Page
4	1	1 619 PA1 275	Switch	20	1
5	1	1 619 P04 795	Cord	25	1
19	4	1 619 P05 795	Screw	10	1
24	1	1 619 P04 796	Cord guard	13	1
25	1	1 619 P04 799	Canister	25	1
26	1	1 619 P05 797	Base Plate	26	1
29	1	1 619 P05 800	Brake Plate	17	1
32	1	1 619 P05 803	Fastening Plate	14	1