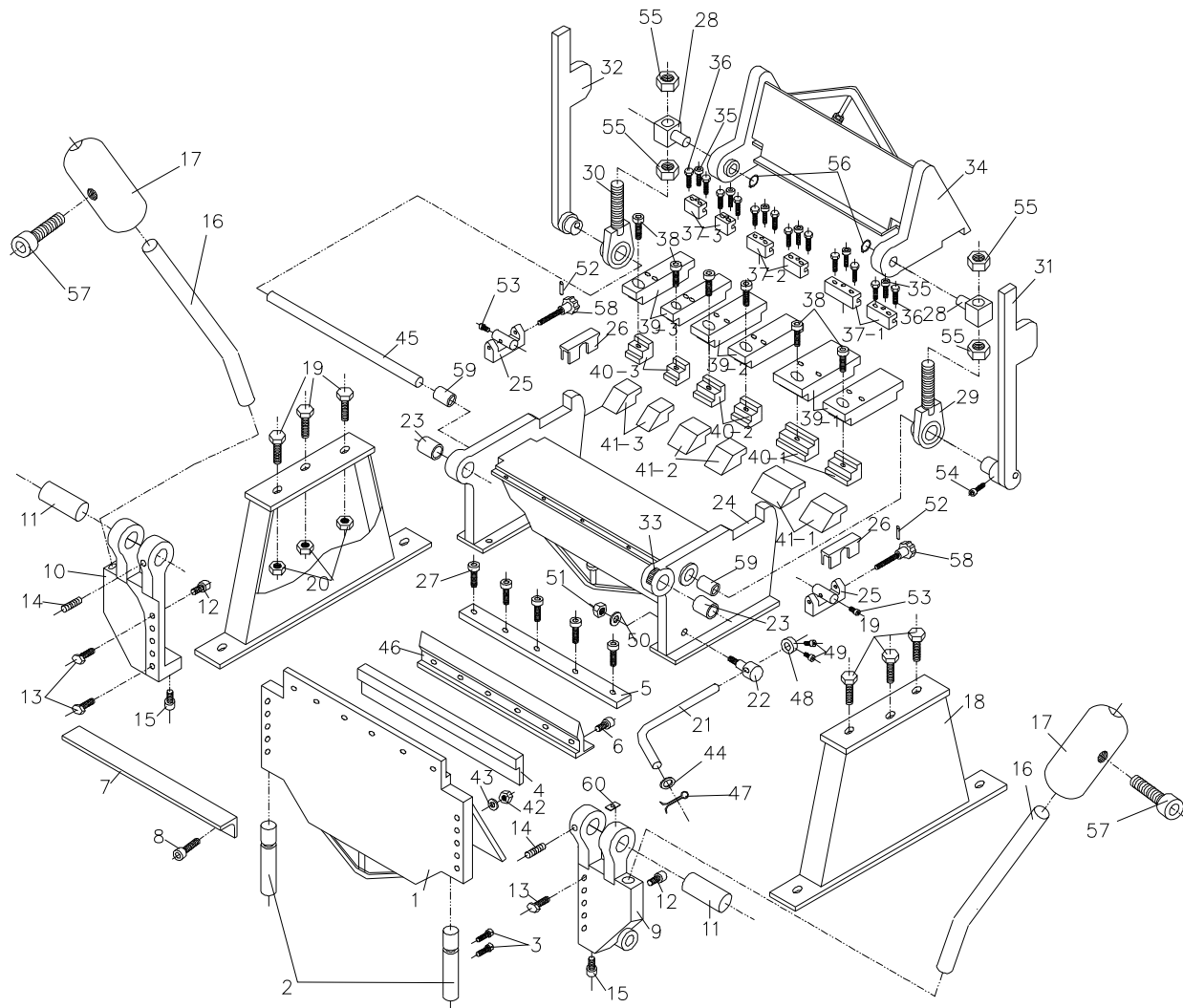


Parts List for BP-1248H Box and Pan Brake

To order parts or reach our service department, call 1-800-274-6848, Monday through Friday (see our website for business hours, www.waltermeier.com). Having the Model Number and Serial Number of your machine available when you call will allow us to serve you quickly and accurately.



Index No.	Part No.	Description	Size	Qty
1.....	BP1248N-1	Apron Assembly		1
2.....	BP1248F-02.....	Bend Handle		2
3.....	TS-1505011	Socket Head Cap Screw.....	M10x16	4
4.....	BP1248F-04.....	Insert Bar		1
5.....	BP1248F-05.....	Bottom Bar		1
6.....	TS-1505021	Socket Head Cap Screw.....	M10x20	9
7.....	BP1248F-07.....	Angle Bar		1
8.....	TS-1506021	Socket Head Cap Screw.....	M12x25	4
9.....	BP1248N-9	Hinge (R.H)		1
10.....	BP1248N-10	Hinge (L.H).....		1
11.....	BP1248N-11	Hinge Pin		2
12.....	TS-1506041	Socket Head Cap Screw.....	M12x35	2
13.....	TS-1499141	Hex Cap Screw	M12x80	10
14.....	TS-1525051	Socket Set Screw	M10x25	2
15.....	TS-1506071	Socket Head Cap Screw.....	M12x50	2

16	BP1248F-16	Rod		2
17	BP1248N-17	Counter Weight Assembly		2
18	BP1248N-18	Stand Assy		2
19	TS-1492041	Hex Cap Screw	M12x40	6
20	TS-2311121	Hex Nut	Full M12	6
21	BP1248F-21	Rod Gauge Assembly		1
22	BP1248N-22	Box, Adj. Assembly		1
23	BP1248N-23	Bushing (2)		2
24	BP1248N-24	Base Assembly		1
25	BP1248N-25	Bolt Adj. Assembly		2
26	BP1248N-26	Holder		2
27	TS-1506021	Socket Head Cap Screw	M12x25	5
28	BP1248F-28	Swivel Pin Assembly		2
29	BP1248N-29	Yoke Assy (R.H)		1
30	BP1248N-30	Yoke Assy (L.H)		1
31	BP1248N-31	Clamp Handle (R.H)		1
32	BP1248N-32	Clamp Handle (L.H)		1
33	BP1248N-33	Scale		1
34	BP1248N-34	Hold Down Assembly		1
35	TS-1506021	Socket Head Cap Screw	M12x25	12
36	TS-1491081	Hex Cap Screw	M10x50	24
37-1	BP1248N-37-4	Joint Open	5"	5
37-2	BP1248N-37-3	Joint Open	4"	2
37-3	BP1248N-37-2	Joint Open	3"	5
38	TS-1491061	Hex Cap Screw	M10x40	12
39-1	BP1248N-39-4	Holder, Finger	5"	5
39-2	BP1248N-39-3	Holder, Finger	4"	2
39-3	BP1248N-39-2	Holder, Finger	3"	5
40-1	BP1248N-40-4	Washer, Finger	5"	5
40-2	BP1248N-40-3	Washer, Finger	4"	2
40-3	BP1248N-40-2	Washer, Finger	3"	5
41-1	BP1248N-41-1	Finger	5"	5
41-2	BP1248F-39	Finger	4"	2
41-3	BP1248F-38	Finger	3"	5
42	TS-2311121	Hex Nut	Full M12	10
43	TS-2361121	Lock Washer	M12	10
44	TS-2360121	Flat Washer	M12	1
45	BP1248N-45	Bracket Bar		1
46	BP1248N-46	Insert Clamp Bar		1
47	BP1248N-47	Cotter Pin	2.5x18	1
48	BP1248N-48	Stop Collar		1
49	TS-1505021	Socket Head Cap Screw	M10x20	2
50	TS-2360121	Flat Washer	M12	1
51	TS-2311121	Hex Nut	M12	1
52	BP1248N-52	Spring Pin	5x30	2
53	TS-1525041	Socket Set Screw	M10x20	2
54	TS-1506071	Socket Head Cap Screw	M12x50	2
55	TS-2311241	Hex Nut	Full M24	4
56	BP1248N-56	Clip Ring 38		2
57	TS-1506041	Socket Head Cap Screw	M12x35	2
58	BP1248N-58	Knob Lock		2
59	BP1248N-59	Bushing (1)		2
60	BP1248N-60	Angle Scale		1