

## Features and Terminology

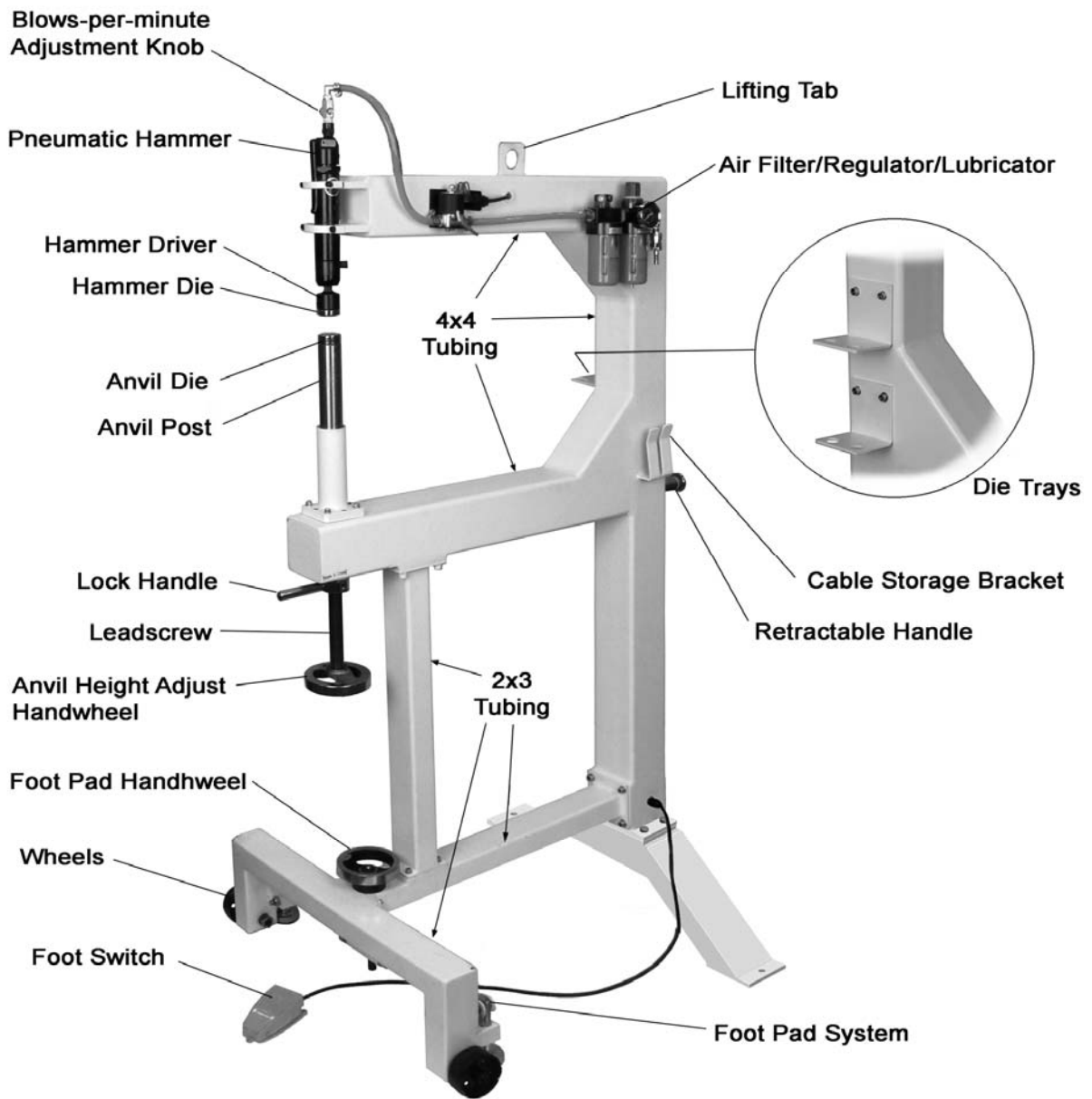
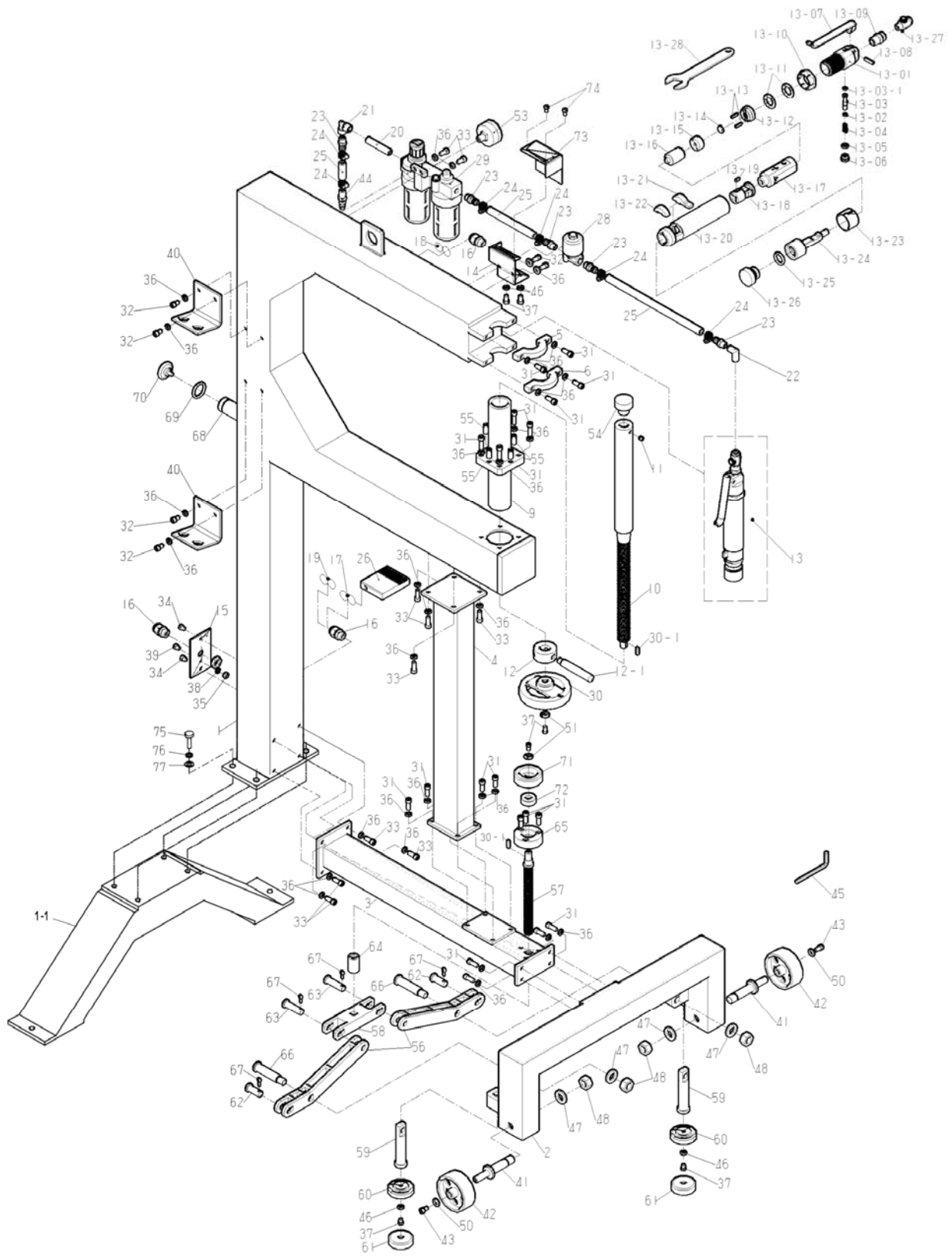


Figure 1 - Features

# Assembly Drawing for PH-24T Planishing Hammer



## Ordering Replacement Parts

To order parts or reach our service department, call 1-800-274-6848 Monday through Friday (see our website for business hours, [www.waltermeier.com](http://www.waltermeier.com)). Having the Model Number and Serial Number of your machine available when you call will allow us to serve you quickly and accurately.

### Parts List for PH-24T Planishing Hammer

Index No.	Part No.	Description	Size	Qty
1	PH24T-1	Frame		1
1-1	PH24T-1-1	Frame Back Leg		1
2	PH24T-2	Wheel Leg		1
3	PH24T-3	Cross Leg		1
4	PH24-4	Support Leg		1
5	PH24-5	Upper Air Hammer Clamp		1
6	PH24-6	Lower Air Hammer Clamp		1
9	PH24-9	Lead Screw Housing		1
10	PH24-10	Lead Screw		1
11	TS-1523021	Socket Set Screw	M6x8	1
12	PH24-12	Lock Collar		1
12-1	PH24-12-1	Lock Collar Handle		1
13	PH24-13	Air Hammer		1
13-01	PH24-13-01	Back Head		1
13-02	PH24-13-02	O-Ring	3.2x1.9 mm	1
13-03	PH24-13-03	Throttle Valve		1
13-03-1	PH24-13-03-1	O-Ring	3.5x1.5 mm	1
13-04	PH24-13-04	Spring		1
13-05	PH24-13-05	O-Ring	7.8x2.4 mm	1
13-06	PH24-13-06	Valve Cap		1
13-07	PH24-13-07	Lever		1
13-08	PH24-13-08	Spring Pin	Ø5x22.5 mm	1
13-09	PH24-13-09	Hose Adapter		1
13-10	PH24-13-10	Lock Ring		1
13-11	PH24-13-11	Alignment Shim		2
13-12	PH24-13-12	Rear Valve Block		1
13-13	PH24-13-13	Pin		2
13-14	PH24-13-14	Valve		1
13-15	PH24-13-15	Front Valve Block		1
13-16	PH24-13-16	Piston		1
13-17	PH24-13-17	Barrel Sleeve		1
13-18	PH24-13-18	Nose		1
13-19	PH24-13-19	Flat Key		1
13-20	PH24-13-20	Barrel		1
13-21	PH24-13-21	Driver Retainer		1
13-22	PH24-13-22	Retainer Buffer		1
13-23	PH24-13-23	Retainer Cap		1
13-24	PH24-13-24	Hammer Driver		1
13-25	PH24-13-25	O-Ring	20x3 mm	1
13-26	PH24T-13-26	Hammer Die		1
13-27	PH24-13-27	Regulator	G3/8"	1
13-28	PH24-13-28	Open End Wrench	26 mm	1
14	PH24-14	Solenoid Valve Mount		1
15	PH24-15	Cover Plate		1
16	PH24-16	Strain Relief	M16x1.5	3
17	PH24-17	Foot Control Switch Cord	1.25x3C	1
18	PH24-18	Solenoid Valve Cord	1.25x3C	1
19	PH24-19	Power Cord		1
20	PH24-20	Pipe Nipple Air Fitting	1/4"	1
21	PH24-21	Elbow Air Fitting	1/4"	1

Index No.	Part No.	Description	Size	Qty
22	PH24-22	Elbow Air Fitting	1/4"	1
23	PH24-23	Air Fitting Connector	1/4"	5
24	PH24-24	Hose Clamp	Ø10-16 mm	6
25	PH24-25	Air Hose	PVC Ø12x8 mm	1
26	PH24-26	Foot Control		1
27	PH24-27	Cable Protector	Ø16	1
28	PH24-28	Solenoid Valve		1
29	PH24-29	Air Filter-Regulator-Lubricator		1
30	PH24-30	Handwheel		1
30-1	PH24-30-1	Flat Key	4x16 mm	2
31	TS-1503081	Socket Head Cap Screw	M6x35	16
32	TS-1503051	Socket Head Cap Screw	M6x20	6
33	TS-1503071	Socket Head Cap Screw	M6x30	10
34	TS-1534052	Phillips Pan Head Machine Screw	M6x15	2
35	TS-1540031	Hex Nut	M5	1
36	TS-2361061	Lock Washer	Ø6 mm	32
37	TS-1533052	Phillips Pan Head Machine Screw	M5x15	2
38	708315-128	External Tooth Lock Washer	Ø5 mm	1
39	TS-1533042	Phillips Pan Head Machine Screw	M5x12	1
40	PH24-40	Die Tray		2
41	PH24-41	Wheel Shaft		2
42	PH24-42	Wheel		2
43	TS-1503021	Socket Head Cap Screw	M6x10	2
44	PH24-44	Quick Connect Coupler	1/4"	1
45	PH24T-45	Hex Wrench	6 mm	1
46	TS-1550030	Flat Washer	Ø5 mm	2
47	TS-155010	Flat Washer	Ø16 mm	4
48	TS-154010	Hex Nut	M16	4
50	PH24-50	Washer		2
51	TS-1550031	Flat Washer	Ø5 mm	2
53	PH24-53	Pressure Gauge	0-140 psi	1
54	PH24-54	Lower Anvil		1
55	TS-1524041	Socket Set Screw	M8x15	4
56	PH24T-56	Hinge Lever		2
57	PH24T-57	Lead Screw		1
58	PH24T-58	Lead Screw Seat		1
59	PH24T-59	Shaft		2
60	PH24T-60	Block		2
61	PH24T-61	Pad		2
62	PH24T-62	Short Pin		2
63	PH24T-63	Long Pin		2
64	PH24T-64	Positioning Collar		1
65	PH24T-65	Bearing Seat		1
66	PH24T-66	Pin		2
67	PH24T-67	Cotter Pin	Ø2.5 mm	4
68	PH24T-68	Handle		1
69	PH24T-69	O-Ring	3.1x26 mm	1
70	PH24T-70	Handle Cover		1
71	PH24T-71	Rolling Handle		1
72	PH24T-72	Thrust Bearing	Ø15xØ32x12	1
73	PH24T-73	Cover Plate for Switch		1
74	TS-2284082	Phillips Pan Head Machine Screw	M4x8	2
75	TS-1491041	Hex Cap Screw	M10x30	4
76	TS-2361101	Lock Washer	Ø10mm	4
77	TS-1550071	Flat Washer	Ø10mm	4

Note: Some parts are shown for illustration purposes only and may not be available individually as replacement parts. Fasteners with part numbers beginning with TS-, are standard sizes and can usually be found at local hardware stores.