

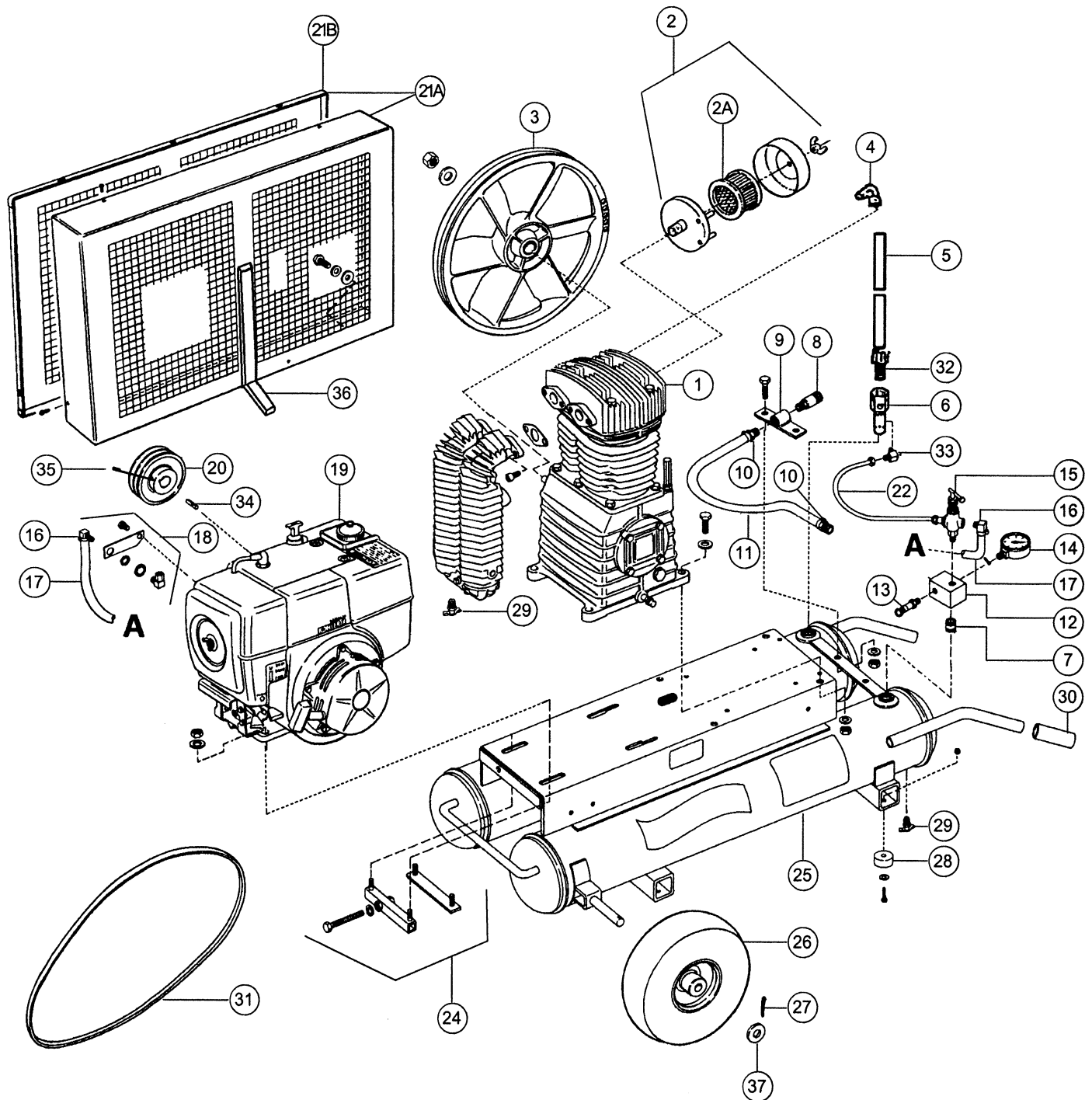
ROLAIR

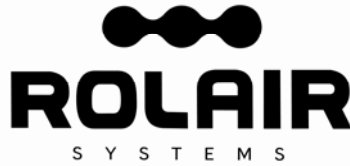
SCHEMATIC FOR MODELS

7722HK28

8422K30

8422HK30





ROLAIR SYSTEMS
 606 S. Lake Street, P.O. Box 346
 Hustisford Wisconsin 53034-0346
 Phone: 920-349-3281
 Sales Fax: 920.349.3691
 Service Fax: 920.349.8861
www.rolair.com

**PARTS LIST FOR MODELS
 7722HK28 8422K30 8422HK30**

Schematic #	Description	Part #	Qty.
1	II Stage Pump w/ Flywheel - Model 7722HK28 II Stage Pump less Flywheel - Model 7722HK28 II Stage Pump w/Flywheel - Models 8422K30 & 8422HK30 II Stage Pump less Flywheel - Models 8422K30 & 8422HK30	PMP22K28CH PMP22K28CHLF PMP22K30CH PMP22K30CHLF	1 1 1 1
2	Silencer/Filter Assembly	FS14075	1
2A	Filter Element – Replacement for Above	431	1
3	Flywheel - Models 8422HK30 & 8422K30 Model 7722HK28	31003040CH 31004620CH	1 1
4	Brass Elbow	BREL0750X075039	1
5	Discharge Tube - Model 7722HK28 Model 8422HK30 – Honda* Model 8422K30 – Kohler*	7722HK28-DISCH TB 8422HK30-DISCH TB 8422K30-DISCH TB	1 1
6	Check Valve	CV4X4TA	1
7	Nipple	BLNP0500X1500	1
8	Quick Disconnect	309A	1
9	Accessory Bracket	210	1
10	Brass Coupler	BRCPO375X0375H12	2
11	3/8" Rubber Hose – 16" Hose Clamp	178A 177A	1.34' 2
12	Aluminum Block Manifold	154	1
13	Safety Relief Valve	SRV0250A175	1
14	Gauge	GA0250300GC	1
15	Pilot Unloader Valve	131B	1
16	Brass Elbow	BREL0250X0125H16	2
17	1/4" Rubber Hose – 36" Hose Clamp	178 177B	3' 2
18	Throttle Control Assembly – Kohler Throttle Control Assembly - Honda	191M8T 192EGX240QA	1 1
19	Kohler Engine Honda Engine Optional Engine Drain Extension for Above	ENG08KOM1 ENG08H01 HDE8	1 1 1
20	Pulley - Model 7722HK28 Models 8422K30 & 8422HK30	PU2AK54X1000 PU2AK46X1000	1 1
21A	Belt Guard Assembly (Base & Cover)	BG8422K30ASSY	1
21B	Belt Guard Cover	BG8423	1
22	1/4" Copper Tubing – 12"	MIS11100	1'
24	Belt Tightener/Mounting Kit - Model 8422K30 Models 7722HK28 & 8422HK30	SBT8HPK0-ANGLE** SBT8HPHO&KAK30-ANGLE**	1 1
25	Twin Tank Assembly	Specify Engine	1
26	Fully-Pneumatic Tire w/Sealant	WLS30SEAL	2
27	Cotter Pin	181B	2
28	Rubber Foot	219	4
29	Drain Valve	132BV	3
30	Handle Grip	328	2
31	Belt	BTA63	2
32	Brass Straight	BRST0750X050038	1
33	Brass Elbow	BREL0250X012539	1
34	Keystock	MIS10096C	1
35	Setscrew	MIS10020C	1
36	Field Kit-Belt Guard Bracket	BGB8K30	1
37	Washer	MIS10104	6

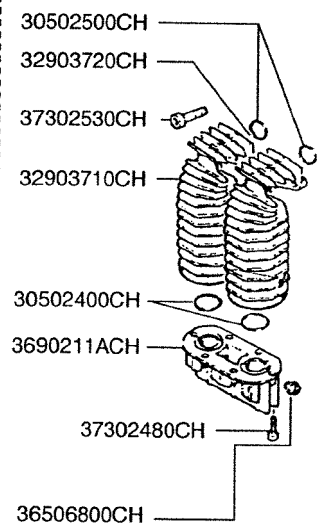
*Prior to January 1997, a discharge tube with a 90° bend was used in production. Please advise our Parts Department of the compressor's serial number when ordering this part.

**For units built prior to February 2005, order SBT8HP-SQUARE or SBT8HPHO&KA17-SQUARE respectively.

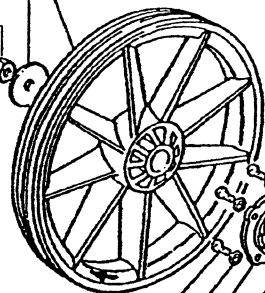
ROLAIR

SCHEMATIC FOR PMP22K28

PRODUCTION STARTING 2/00

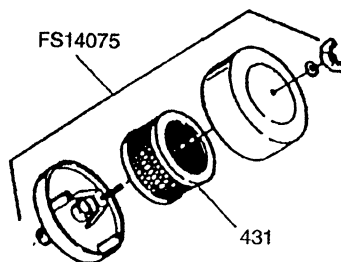


31004620CH
37500730CH
37400720CH

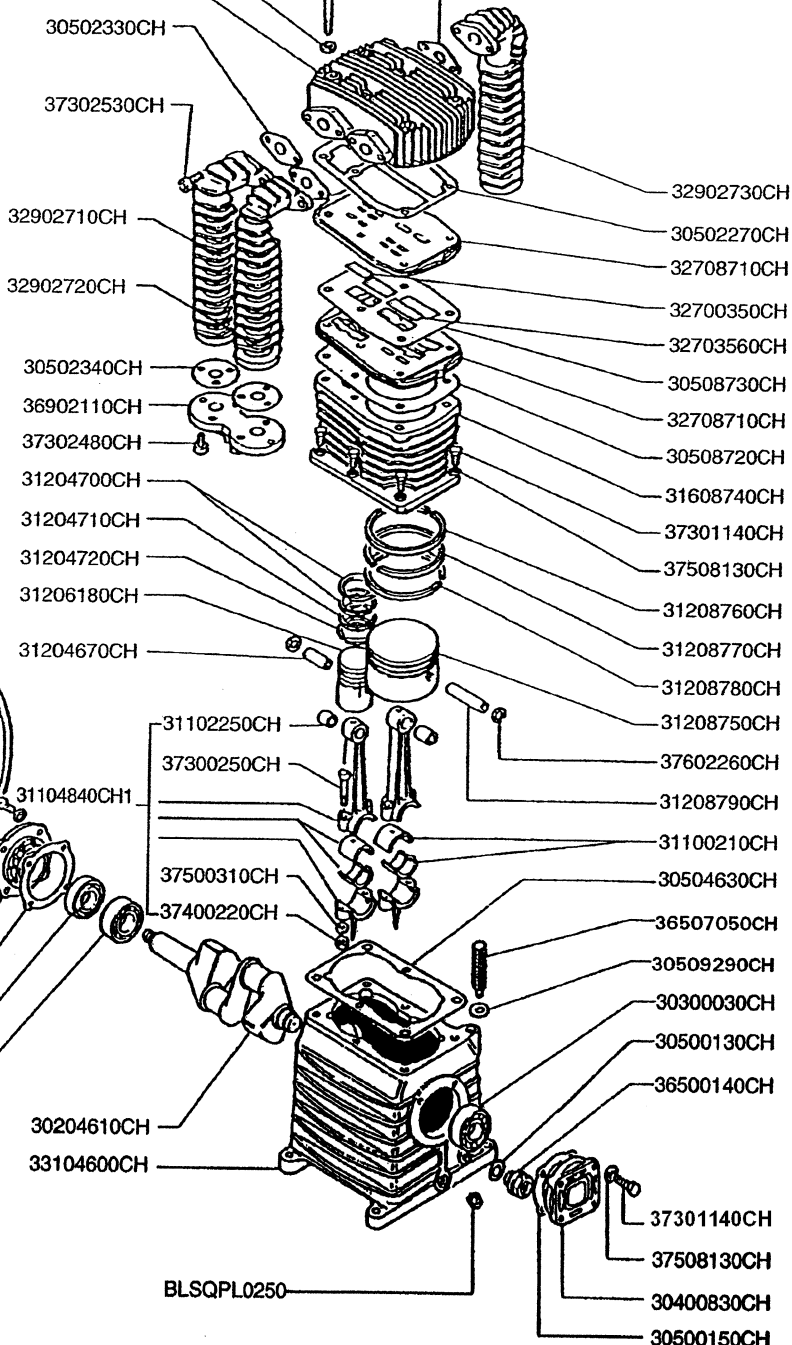


37301140CH
37508130CH
30400860CH
30500050CH
30300040CH
30300030CH

37308060CH
37502320CH
31302700CH
30502330CH
37302530CH
32902710CH
32902720CH
30502340CH
36902110CH
37302480CH
31204700CH
31204710CH
31204720CH
31206180CH
31204670CH
31102250CH
37300250CH
37500310CH
37400220CH
30204610CH
33104600CH



30502330CH





ROLAIR SYSTEMS

606 S. Lake Street, P.O. Box 346
Hustisford Wisconsin 53034-0346
Phone: 920-349-3281
Sales Fax: 920.349.3691
Service Fax: 920.349.8861
www.rolair.com

PARTS LIST FOR PMP22K28

Description	Part #	Qty.	Description	Part #	Qty.
Crankshaft	30204610CH	1	Valve Plate	32708710CH	2
Bearing	30300030CH	2	Left Intercooler	32902710CH	1
Oil Seal	30300040CH	1	Right Intercooler	32902720CH	1
Bearing Carrier	30400830CH	1	Aftercooler	32902730CH	1
Bearing Carrier	30400860CH	1	Crankcase	33104600CH	1
Gasket	30500050CH	1	Sight Gauge	36500140CH	1
Gasket	30500130CH	1	3/8" Breather/Oil Fill Plug	36507050CH	1
Gasket	30500150CH	1	Connector	3690211ACH	1
O-Ring	30509290CH	1	Bolt	37300250CH	4
Gasket	30502270CH	1	Bolt	37301140CH	14
Gasket	30502330CH	3	Bolt	37302480CH	6
Gasket	30502340CH	2	Bolt	37302530CH	6
Gasket	30504630CH	1	Bolt	37308060CH	6
Gasket	30508720CH	1	Nut	37400220CH	4
Gasket	30508730CH	1	Nut	37400720CH	1
Flywheel	31004620CH	1	Washer	37500310CH	4
Bearing Shell	31100210CH	2	Washer	37500730CH	1
Bushing*	31102250CH	2	Washer	37508130CH	14
Connecting Rod Assembly	31104840CH1	2	Snap Ring	37602260CH	4
Piston Pin - HP	31204670CH	1	Plug	BLSQPL0250	1
Ring - HP	31204700CH	2	Silencer/Filter Assembly	FS14075	1
Ring - HP	31204710CH	1	Filter Element	431	1
Ring - HP	31204720CH	1	Ring Set	K28RINGS	1
Piston - HP	31206180CH	1	Gasket Set	K28GASKETS	1
Piston - LP	31208750CH	1	Valve Plate Assembly	2800VK28	1
Ring - LP	31208760CH	1	INTERCOOLER/AFTERCOOLER PARTS STARTING 12/99		
Ring - LP	31208770CH	1	O-Ring - Connector	30502400CH	2
Ring - LP	31208780CH	1	Plug	36506800CH	1
Piston Pin - LP	31208790CH	1	Connector	3690211ACH	1
Head	31302700CH	1	Bolt	37302480CH	6
Cylinder	31608740CH	1	Bolt	37302530CH	6
Valve - HP	32700350CH	2	O-Ring - Head	30502500CH	2
Valve - LP	32703560CH	4			

*Bushing is not machined to fit piston pin if ordered separate from connecting rod.