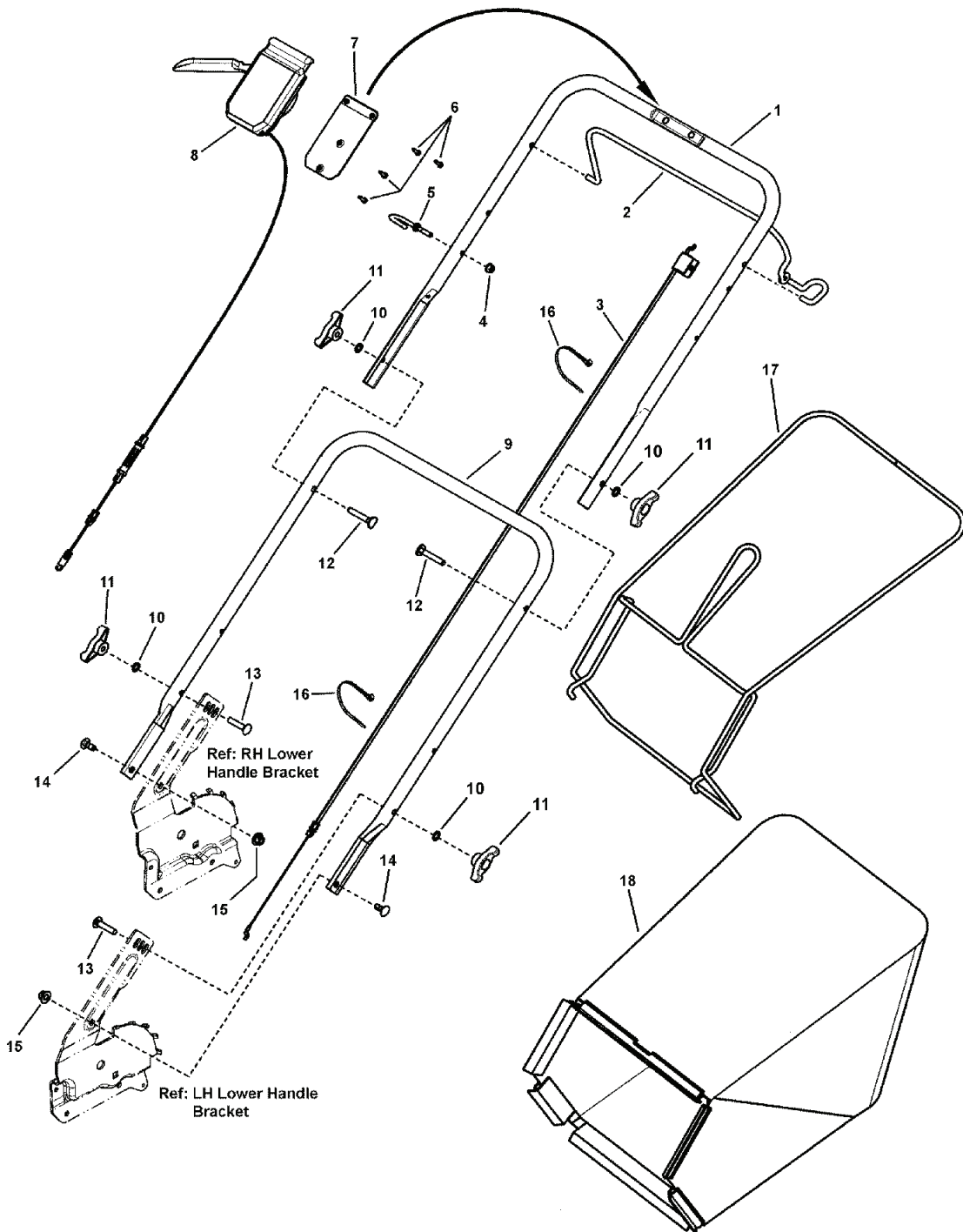


## Handles & Controls

NOTE: Unless noted otherwise,  
use the standard hardware torque  
specification chart.



The above parts group applies to the following Mfg. Nos.:

7800802 - BTPX22675HW

## Handles & Controls

| REF NO | PART NO.   | QTY. | DESCRIPTION   |
|--------|------------|------|---|
| 1      | 7300676AMA | 1    | HANDLE, Upper, Brute, Propelled   |
| 2      | 7101731AMA | 1    | BAIL, Operator Presence Control, Propelled, Brute                                 |
| 3      | 7101395YP  | 1    | CABLE, Bail, 22" WBM  |
| 4      | 2860694SM  | 1    | NUT, 1/4-20 Hex Flange Esna, YZ   |
| 5      | 7028488MA  | 1    | ROPE GUIDE (1/4-20 thread)  |
| 6      | 7100225YP  | 4    | SCREW, #8-16, Pan Head Torxplus Recessed, Twin Helix                              |
| 7      | 7300130AMA | 1    | PLATE, Control Panel  |
| 8      | 7103677YP  | 1    | ASSEMBLY, Control Box, Variable Speed   |
| 9      | 7300592AMA | 1    | HANDLE, Lower, 21" Rear Discharge   |
| 10     | 7090391SM  | 4    | WASHER, 5/16" Internal Tooth lock   |
| 11     | 7035744YP  | 4    | KNOB, 5/16-18, Wing, Black  |
| 12     | 7091189YP  | 2    | BOLT, 5/16-18 x 2" Curved Head Square Neck, GR 2                                  |
| 13     | 1931337SM  | 2    | BOLT, 5/16-18 x 1-1/2" Round Head Short Square Neck Carriage, GR 5                |
| 14     | 340720MA   | 2    | BOLT, 5/16-18 x 3/4" Round Head Short Square Neck Carriage, YZ                    |
| 15     | 7090951SM  | 2    | NUT, 5/16-18 Large Head Center Lock   |
| 16     | 7024649YP  | 1    | WIRE TIE, 11 Inch Std Black Nylon   |
| --     | 7600107YP  | 1    | ASSEMBLY, 22" Grass Catcher (incl. the 2 items below) (Includes Ref. No. 17 & 18) |
| 17     | 7103305AYP | 1    | BAG FRAME, Rear Discharge   |
| 18     | 7103375YP  | 1    | BAG, Grass, 22" Rear Discharge  |

## Footnotes

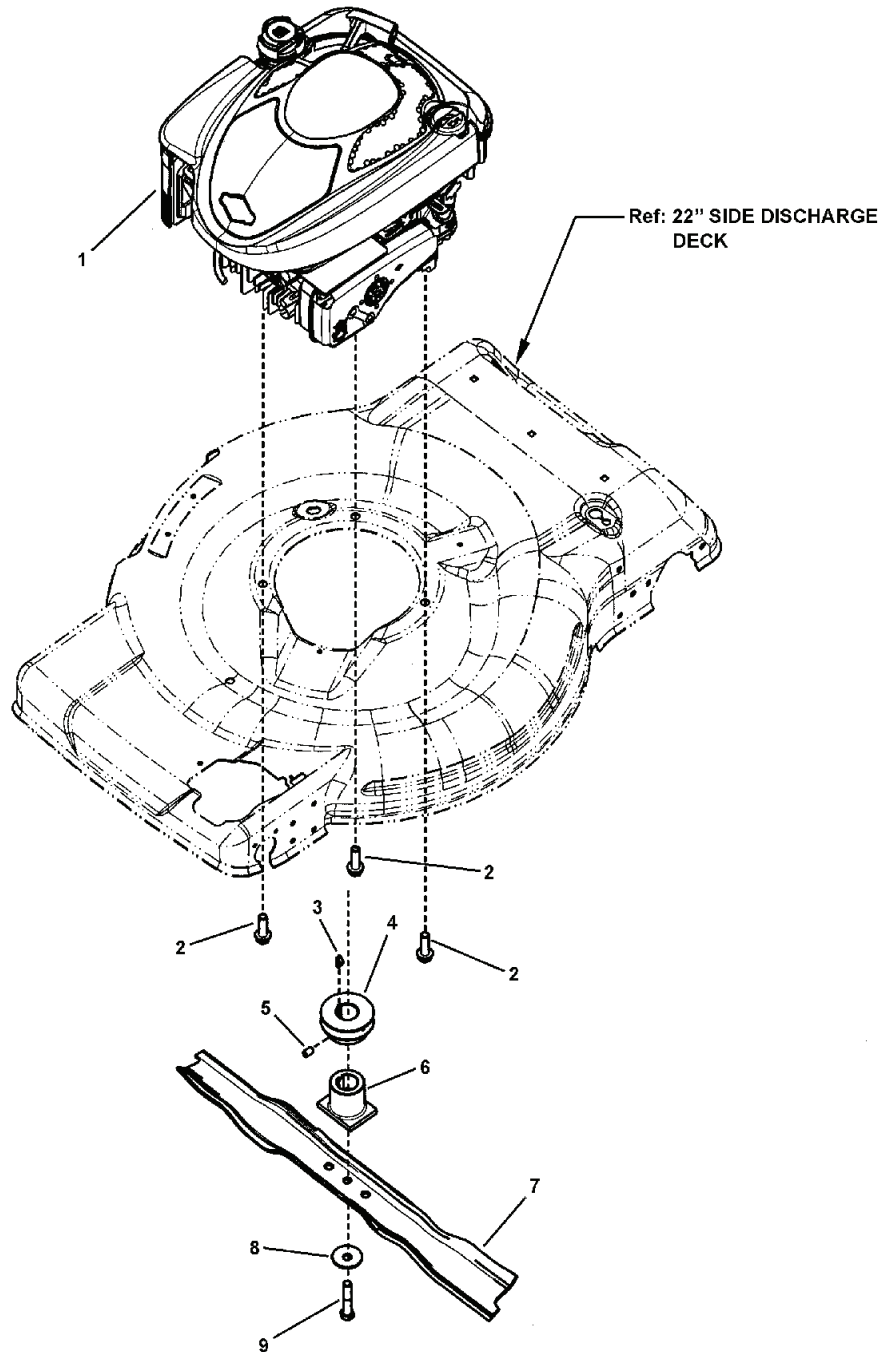
---

The above parts group applies to the following Mfg. Nos.:

7800802 - BTXP22675HW

## Engine Group

NOTE: Unless noted otherwise,  
use the standard hardware torque  
specification chart.



The above parts group applies to the following Mfg. Nos.:

7800802 - BTP22675HW

## **Engine Group**

---

| <b>REF NO</b> | <b>PART NO.</b> | <b>QTY.</b> | <b>DESCRIPTION</b>  |
|---------------|-----------------|-------------|---|
| 1             | 126L02-4675-F3  | 1           | * ENGINE, B&S 675 Series, X-Spec, F3, MY09                    |
| 2             | 7900072YP       | 3           | SCREW, 3/8-16 x 1-1/4" Hex Washer Self-Tap                    |
| 3             | 7091214YP       | 1           | KEY, #HP-506 Hi-Pro   |
| 4             | 7100437YP       | 1           | PULLEY, Engine  |
| 5             | 7092086YP       | 1           | SET SCREW, 5/16-18 x 1/2" Hex Recess Type A Point (Cup Point) |
| 6             | 7101414YP       | 1           | BLADE HUB, 21" WBM, Rear Discharge, 2 Position                |
| 7             | 7103288YP       | 1           | BLADE, Wave, Steel Deck                                       |
| 8             | 7012063SM       | 1           | WASHER, Cone  |
| 9             | 7090167SM       | 1           | SCREW, 3/8-24 x 2" Hex Head Cap, GR 5                         |

### **Footnotes**

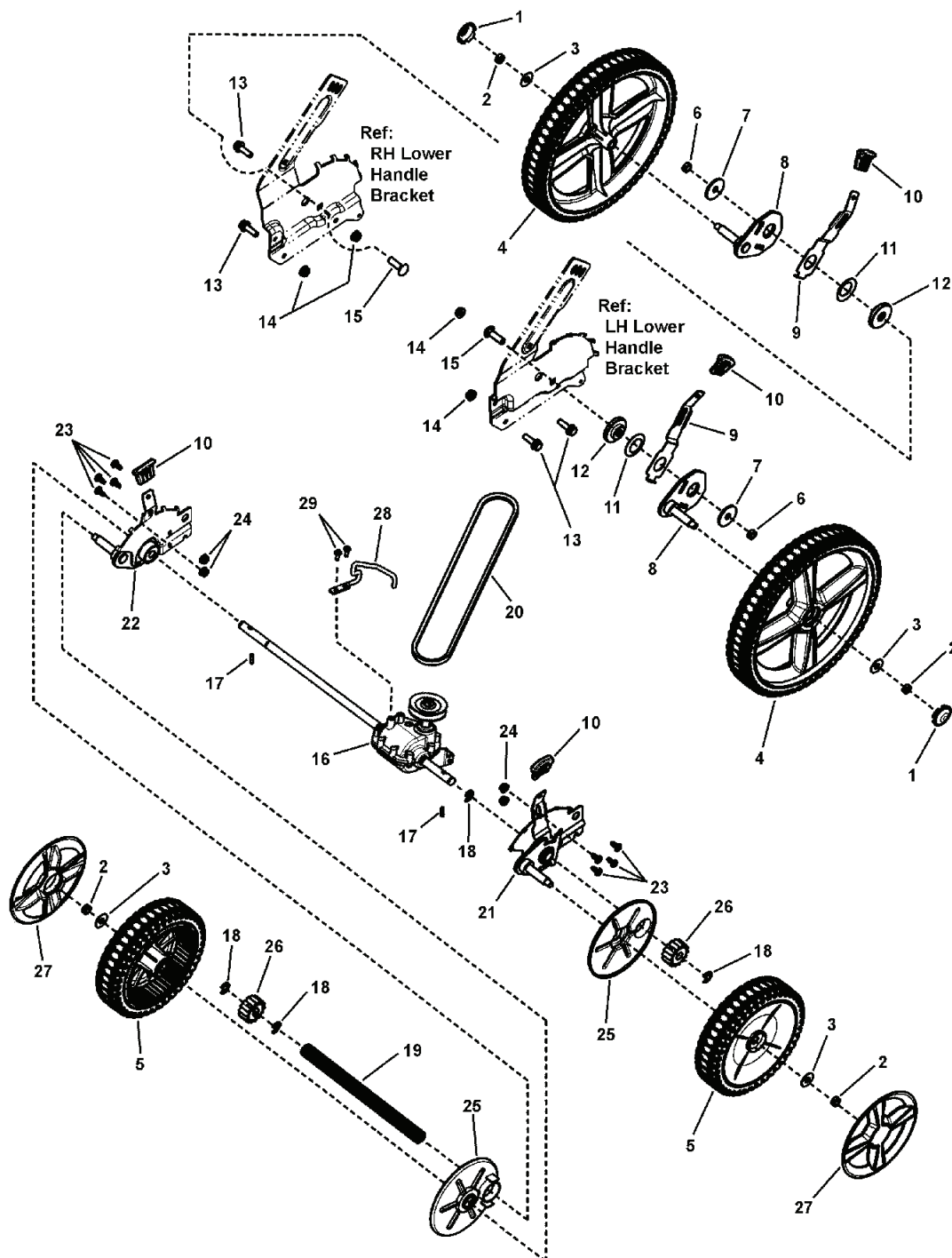
---

**The above parts group applies to the following Mfg. Nos.:**

7800802 - BTPX22675HW

## Transmission & Wheels Group

NOTE: Unless noted otherwise,  
use the standard hardware torque  
specification chart.



The above parts group applies to the following Mfg. Nos.:

7800802 - BTPX22675HW

## Transmission & Wheels Group

| REF NO | PART NO.  | QTY. | DESCRIPTION   |
|--------|-----------|------|---|
| 1      | 7103540YP | 2    | HUBCAP, 12" Rim Yellow  |
| 2      | 1960251SM | 2    | NUT, 3/8-16 Hex Center Lock Jam, YZ   |
| 3      | 17X169MA  | 4    | WASHER, 1" OD x .387 ID Flat  |
| 4      | 7101708MA | 2    | WHEEL, 12" x 2" Idle, w/Db Tread, Brute Yellow  |
| 5      | 7103500YP | 2    | WHEEL, 8" x 2" Drive, w/DB Tread P-290 Satin Black  |
| 6      | 7091585SM | 4    | NUT, 3/8-16 Hex Center Lock, YZ   |
| 7      | 7091331SM | 2    | WASHER, 13/32 x 1-1/2" x .120 Flat, YZ  |
| 8      | 7501639YP | 2    | ASSEMBLY, Wheel Bracket, Rear, High-Wheel (staked)  |
| 9      | 7103301YP | 2    | LEVER, Front, Height-Of-Cut, 22"  |
| 10     | 7103542YP | 4    | GRIP, Height Latch, P-391-St, Yellow  |
| 11     | 17X178MA  | 2    | WASHER, 1" ID x 1.64 OD Bellville   |
| 12     | 7103511YP | 2    | BUSHING, Pivot, Hi-Wheel, Rear  |
| 13     | 7091591SM | 4    | BOLT, 5/16-18 x 1" Hex Flange Lock, GR 5, YZ  |
| 14     | 7091601SM | 4    | NUT, 5/16-18 Hex Flange Lock, GR 5, YZ  |
| 15     | 7091790YP | 2    | BOLT, 3/8-16 x 1-1/4" Round Head Square Neck Carriage, GR 5 YZ                            |
| 16     | 7103311YP | 1    | TRANSMISSION, Variable Speed, Front Wheel Drive   |
| 17     | 7101270YP | 2    | PIN, Drive, 22" WBM, Front Wheel Drive  |
| 18     | 7014341YP | 4    | RETAINING RING  |
| 19     | 043649MA  | 1    | SHIELD, Axle  |
| 20     | 7103362YP | 1    | BELT, 3L, Traction Drive, 22" Walk Behind Mower, FWD (3L section; 32.40 effective length) |
| 21     | 7600105YP | 1    | ASSEMBLY, Height-Of-Cut, LF, 22" WBM, Propelled (Includes Ref. No. 30)                    |
| 22     | 7600104YP | 1    | ASSEMBLY, Height-Of-Cut, RF, 22" WBM, Propelled (Includes Ref. No. 30)                    |
| 23     | 7900067YP | 4    | SCREW, 1/4-20 x .550 Pan Head Torx (T-30)   |
| 24     | 7091584SM | 4    | NUT, 1/4-20 Hex Flange Lock, YZ   |
| 25     | 7101402YP | 2    | SHIELD, Dust, 22" WBM, Front Wheel Drive  |
| 26     | 7101207YP | 2    | GEAR, Pinion, 22" WBM, Front Wheel Drive  |
| 27     | 7103539YP | 2    | HUBCAP, 8" & 9" Wheel Spoked, P-391 St Yellow   |
| 28     | 7103304YP | 1    | BELT GUIDE, Front Wheel Drive   |
| 29     | 7900055YP | 2    | SCREW, #10-14 x 1/2" Hex Washer Self-Tap, Plastite  |
| 30     | 7078243YP | 2    | BALL BEARING, Axle (Included in Ref. No. 21 & Ref. No. 22)(Not Illustrated)               |

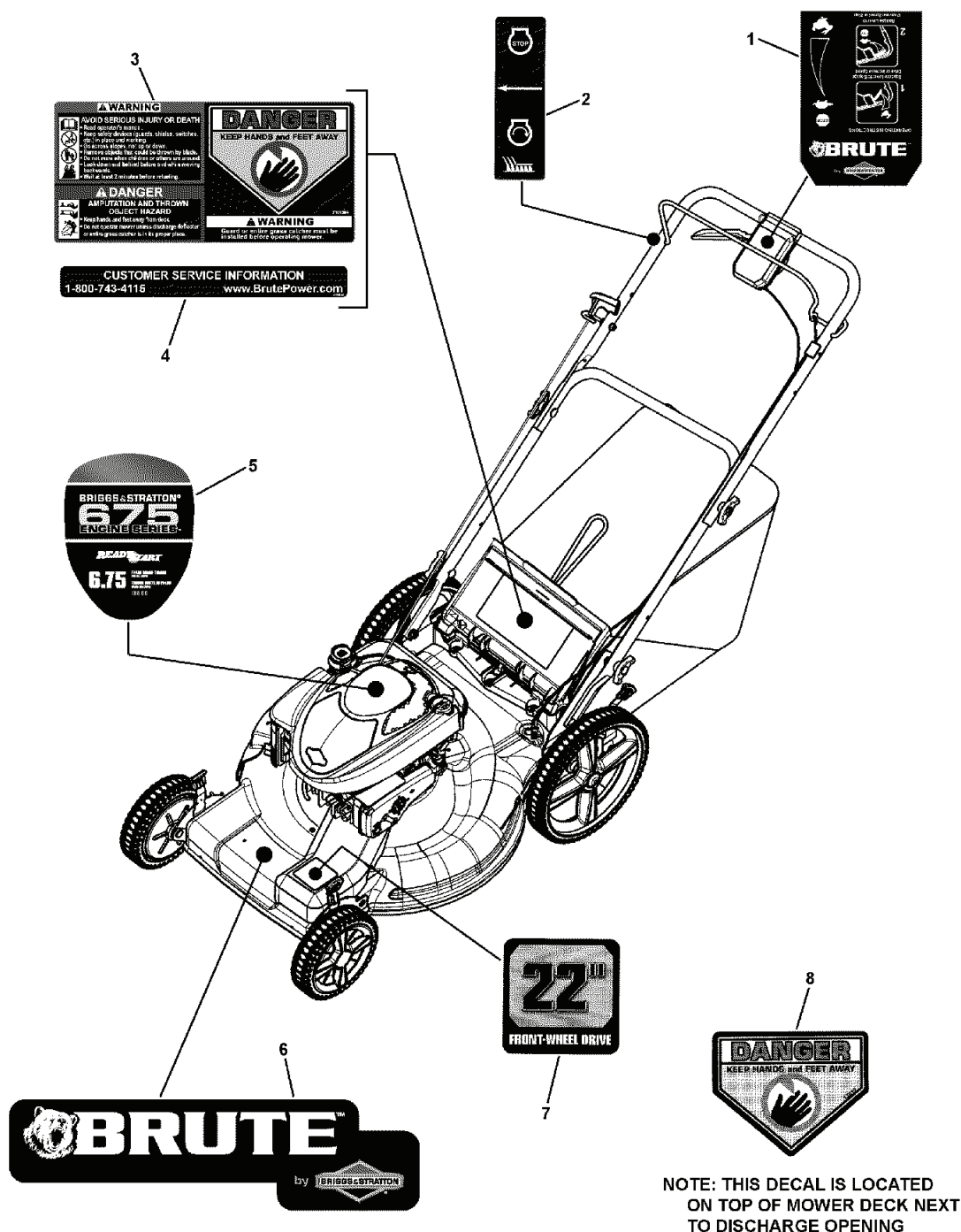
### Footnotes

The above parts group applies to the following Mfg. Nos.:

7800802 - BTXP22675HW

## Decals Group

NOTE: Unless noted otherwise, use the standard hardware torque specification chart.



The above parts group applies to the following Mfg. Nos.:  
7800802 - BTXP22675HW

## ***Decals Group***

---

| <b>REF NO</b> | <b>PART NO.</b> | <b>QTY.</b> | <b>DESCRIPTION</b>                   |
|---------------|-----------------|-------------|--------------------------------------|
| 1             | 7101814MA       | 1           | DECAL, Control Head, 21" Brute       |
| 2             | 7029782MA       | 1           | DECAL, OPC Bail International Symbol |
| 3             | 7101394YP       | 1           | DECAL, Warning, Rear Discharge Door  |
| 4             | 7102372YP       | 1           | DECAL, Customer Service, Brute       |
| 5             | 7104178YP       | 1           | DECAL, Engine 675, Brute             |
| 6             | 7103545YP       | 1           | DECAL, Brute Walk-Behind Mower       |
| 7             | 7104141YP       | 1           | DECAL, 22" Front Wheel Drive Brute   |
| 8             | 7013010SM       | 1           | DECAL, Danger, Cut Finger            |

## **Footnotes**

---

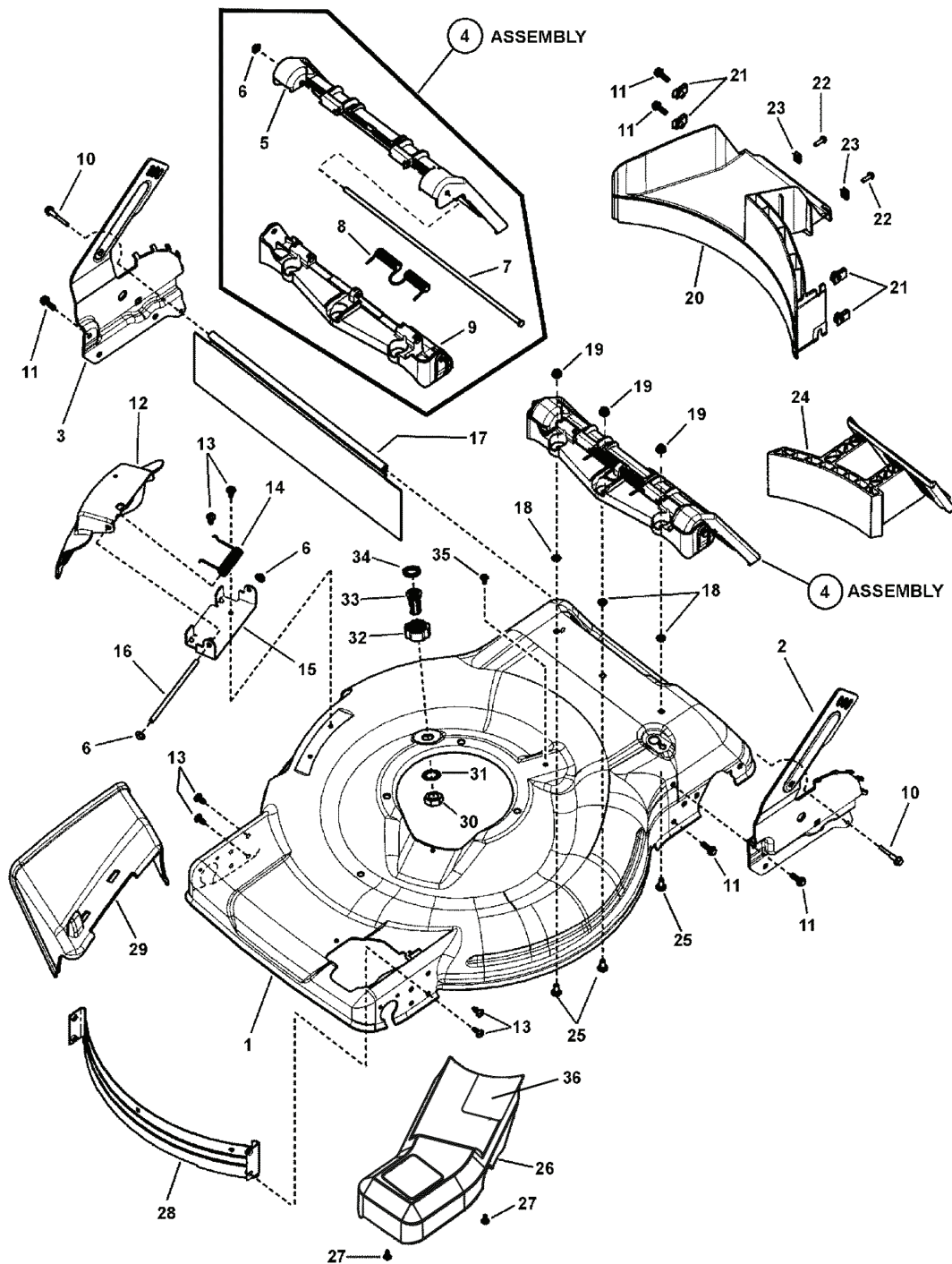
**The above parts group applies to the following Mfg. Nos.:**

7800802 - BTP22675HW



## Deck Group

NOTE: Unless noted otherwise,  
use the standard hardware torque  
specification chart.



The above parts group applies to the following Mfg. Nos.:  
7800802 - BTPX22675HW

## Deck Group

| REF NO | PART NO.   | QTY. | DESCRIPTION  |
|--------|------------|------|--|
| 1      | 7301111ZYP | 1    | DECK, 22", Front Wheel Drive, Washout                    |
| 2      | 7301091AYP | 1    | BRACKET, Lower Handle, LH, Hi-Wheel                      |
| 3      | 7301090AYP | 1    | BRACKET, Lower Handle, RH, Hi-Wheel                      |
| 4      | 7501541YP  | 1    | ASSEMBLY, Door, 22" WBM                                  |
| 5      | 7103291YP  | 1    | DOOR, Rear Discharge                                     |
| 6      | 7091020YP  | 2    | PUSHNUT, 1/4"  |
| 7      | 7103322YP  | 1    | ROD, Pivot, Rear Door                                    |
| 8      | 7103309YP  | 1    | REAR DOOR SPRING, Torsion                                |
| 9      | 7103292YP  | 1    | DOOR HINGE, Rear Discharge                               |
| 10     | 7900073YP  | 2    | BOLT, Drag Shield, 1/4-20 x 1-1/2"                       |
| 11     | 7090699YP  | 8    | BOLT, 1/4-20 x 3/4" Hex Flange Lock, GR 5                |
| 12     | 7103298YP  | 1    | COVER, Mulching  |
| 13     | 7900067YP  | 6    | SCREW, 1/4-20 x .550 Pan Head Torx (T-30)                |
| 14     | 166X38MA   | 1    | CHUTE SPRING, Torsion                                    |
| 15     | 7300855ZMA | 1    | BRACKET, Chute   |
| 16     | 7101067YP  | 1    | ROD, Pivot   |
| 17     | 7103323YP  | 1    | GUARD, Rear 22"  |
| 18     | 1960518SM  | 3    | RETAINER, 1/4" Bolt                                      |
| 19     | 15X143MA   | 3    | NUT, 1/4-20 Hex Flange Lock                              |
| 20     | 7103452YP  | 1    | REAR BAFFLE, Front Wheel Drive, WBM                      |
| 21     | 7023295SM  | 4    | U-NUT, 1/4-20  |
| 22     | 7091075SM  | 2    | SCREW, #10-24 x 5/8" Hex Washer Face Self-Tap, GR 5      |
| 23     | 1960593SM  | 2    | SPEED NUT, #10-24 Retainer w/Extrusion                   |
| 24     | 7103453YP  | 1    | PLUG, Mulching, 22" Deck                                 |
| 25     | 7090803YP  | 3    | BOLT, 1/4-20 x 5/8" Flat Head Square Neck, GR 5          |
| 26     | 7103297YP  | 1    | COVER, BELT DRIVE, Front                                 |
| 27     | 7900018YP  | 2    | SCREW, 4.8 x 1.59 x 13mm, Round Washer Head Hi-Lo (Torx) |
| 28     | 7301020ZYP | 1    | BAFFLE, Front  |
| 29     | 7103299YP  | 1    | CHUTE, Side Discharge, 22" WBM                           |
| 30     | 1960716SM  | 1    | NUT, 5/8-11 NC-2B Hex Jam                                |
| 31     | 7090880YP  | 1    | WASHER, 5/8" Internal Tooth Lock                         |
| 32     | 7103919YP  | 1    | COUPLING, Hose   |
| 33     | 7103804YP  | 1    | ADAPTOR, Washout Port, WBM                               |
| 34     | 7103957YP  | 1    | WASHER, Hose   |
| 35     | 0193X1MA   | 1    | PLUG, Panel, .25 x .61L, Black                           |
| 36     | 7104172YP  | 1    | PATCH, Heat, Belt Cover                                  |

## Footnotes

The above parts group applies to the following Mfg. Nos.:

7800802 - BTPX22675HW