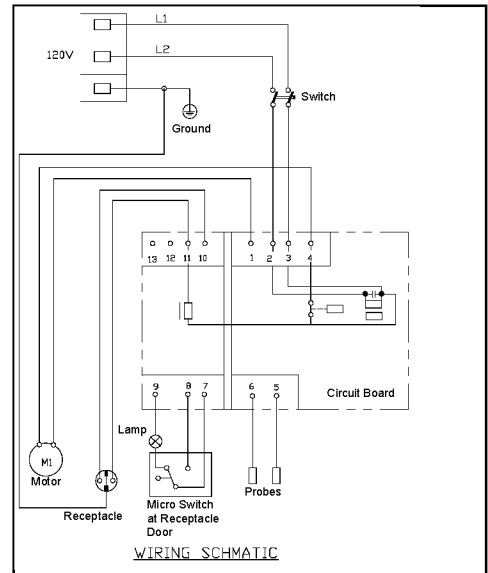


NOTE: Circuit Board appearance may vary, connect leads according to numbers in diagram. Note on some boards the terminal numbers are on the back.



Parts List for 7814 Type 1

Item Number	Part Number	Description	Qty Required
1	897914	LOWER HOUSING	1
2	897898	UPPER HOUSING	1
3	897921	TANK	1
4	897865	HANDLE	1
5	897919	PLATE	1
6	897858	LOCKING STRIP	1
7	897923	CONNECTOR	1
8	897866	ACCESSORY HOLDER	1
9	897864	BRACKET	1
10	897971	SEAL	1
12	904058	SHAKER	1
13	897896	CORD CLAMP	1
15	897877	BRACKET	1
16	897905	COVER	1
17	897884	FILTER COVER	1
18	897922	AXLE	1
19	897880	SOCKET	1
20	897878	HANDLE	1
21	897893	BUTTON	1
22	897894	SPRING	1
23	897909	SEAL	1
24	897911	COVER	1
25	897912	SEAL	1
26	1258825	HOSE END(CONN TO ACC	1
27	897907	MOTOR HOUSING	1
28	897897	PANEL	1
29	897906	GASKET	1

Parts List for 7814 Type 1

Item Number	Part Number	Description	Qty Required
30	897910	GASKET	1
31	897917	GASKET	1
32	897918	GASKET	1
33	897915	SCREW	1
34	897888	WASHER	2
36	897863	WHEEL	2
37	897885	CAP	2
38	897908	MOTOR	1
39	897913	BRUSH	1
40	897895	SWITCH	1
41	897901	MICRO SWITCH	1
42	897900	SOCKET	1
43	897857	CORD	1
44	897899	LIGHT	1
45	897868	CIRCUIT BOARD	1
46	897970	CASTER	2
47	897859	FILTER	1
48	897925	FILTER	1
49	78117	TOP EXHAUST FILTER	1
50	78141	3PK FILTER BAG 7814	1
51	897887	FILTER	1
52	1258808	HOSE ASSEMBLY	1
53	897903	SCREW	10
54	897904	SCREW	10
55	897882	SCREW	10
56	897879	SCREW	10
57	897883	SCREW	10

Parts List for 7814 Type 1

Item Number	Part Number	Description	Qty Required
58	897937	NUT	10
59	897938	HANDLE	1
60	897939	SCREW	10
61	897940	SPACER	2
62	897941	BUSH	2
63	897942	TUBE	1
64	897943	NUT	10
65	897944	O-RING	1
66	897945	SCREW	10
67	897946	WASHER	10
68	897947	L. HANDLE BRACKET	1
69	897948	R. HANDLE BRACKET	1
70	897949	NUT	10
71	897950	BRACKET	1
72	897951	WASHER	10
73	897952	SCREW	10
74	897972	HOSE HOLDER	1
75	897953	DRAIN HOSE	1
76	897954	RING	1
77	897973	NUT	10
81	1258821	BAYONET COUPLING	1
82	1258822	SEAL	1
82	1258823	THREADED RING	1
82	1258824	SLEEVE	1
83	897745	PLATE-WARNING	1
84	898536	SPRING	1
85	898537	RETAINER	1

Parts List for 7814 Type 1

Item Number	Part Number	Description	Qty Required
86	898538	ELECTRODE	1
87	898539	CONNECTOR	1
856	78110	WET/DRY VAC ACCY KIT	1
856	39342	ADJ/STEP ADAPTER	1