

Type:  
Part no.:

GI 75 2H 2V  
79020200233



Item	Part no.	Designation	Quantity	Price RPR excl. VAT (USD)	AT
0010	39000000142	Housing	1	on req.	-
0020	39000000141	Workpiece support	1	on req.	-
0030	39000000171	Handle M8X30	1	on req.	-
0040	39000000140	Holder	1	on req.	-
0050	39000000139	Eye guard	1	on req.	-
0060	39000000138	Cover	1	on req.	-
0070	39000000006	Drive wheel 200x75 mm	1	on req.	-
0080	39000000005	Contact wheel 200x75 mm	1	on req.	-
0090	39000000085	Handle M8	3	on req.	-
0100	39000000137	Spark box	1	on req.	-
0110	39000000136	Lever	1	on req.	-
0120	39000000135	Sliding plate	1	on req.	-
0130	39000000161	Gas compression spring	1	on req.	-
0140	39000000134	Tilt assembly for eye guard GI75	1	on req.	-
0150	39000000111	Screw M8X30	1	on req.	-
0160	39000000154	Screw M8X45	3	on req.	-
0170	39000000045	Nut M8	12	on req.	-
0180	39000000090	Disc	7	on req.	-
0190	39000000153	Bolt M8x45	2	on req.	-
0200	39000000044	Nut M8	2	on req.	-
0210	39000000132	Support	1	on req.	-
0220	39000000160	Cup spring 20,4x2	2	on req.	-
0250	39000000061	Nut M8	2	on req.	-
0260	39000000152	Screw	1	on req.	-
0270	39000005043	Graphite coating 80x430 mm	1	on req.	-
0280	39000000151	Screw M8X12	1	on req.	-
0290	39000000163	Disc	1	on req.	-
0300	39000000063	Nut M12	1	on req.	-
0310	39000000162	Handle M8X75	1	on req.	-
0320	39000000148	Circlip 8,2x0,7 mm	1	on req.	-
0330	39000000047	Nut M8	5	on req.	-
0340	39000000087	Locking bar	1	on req.	-
0350	39000000167	Fitting	2	on req.	-
0360	39000000099	Screw M10X20	1	on req.	-
0370	39000000097	Handle	1	on req.	-
0380	39000000131	Space pipe	1	on req.	-
0390	39000005623	Eye guard	1	on req.	-
0400	39000000130	Cover	1	on req.	-
0410	39000000165	Screw M8X16	5	on req.	-
0420	39000000129	Extension tube	1	on req.	-
0430	39000000595	Screw M8X12	1	on req.	-
0440	39000000149	Screw	2	on req.	-
0450	39000000128	Sanding table	1	on req.	-
0460	39000000145	Bolt M8X35	3	on req.	-
0470	39000000827	Screw M10X35	1	on req.	-
0480	39000000168	Disc D36/10,5X4	1	on req.	-
0490	39000000126	Flange	1	on req.	-
0500	39000000125	Bush VE 4	1	on req.	-
0510	39000000124	Bush VE 4	1	on req.	-

Type:  
Part no.:

GI 75 2H 2V  
79020200233

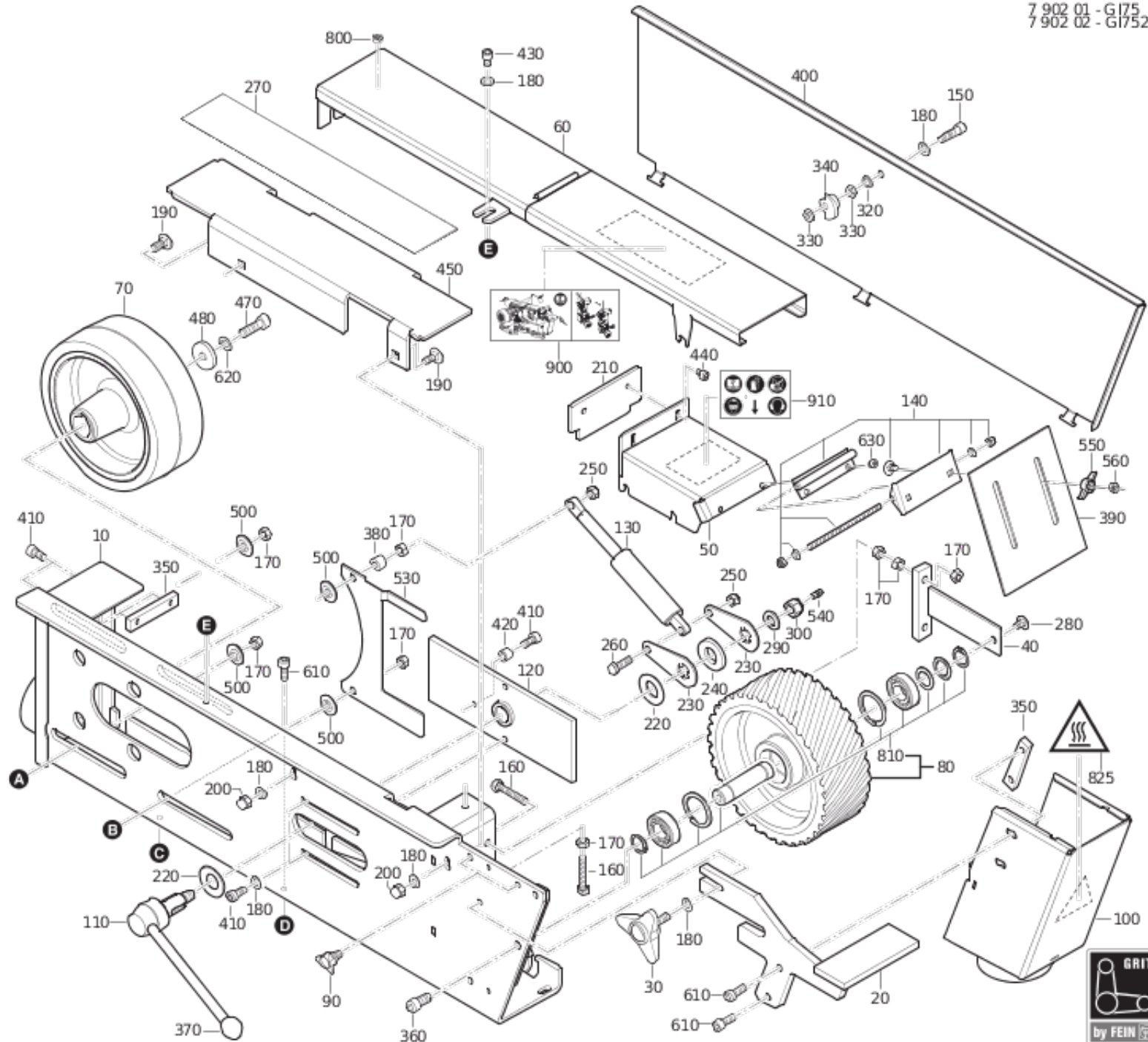


Item	Part no.	Designation	Quantity	Price RPR excl. VAT (USD)	AT
0520	39000000089	Cup spring 8,2x0,9 mm	3	on req.	-
0530	39000000123	Sheet metal	1	on req.	-
0540	39000000155	Lubricating nipple	1	on req.	-
0550	39000005826	Handle	2	on req.	-
0560	39000000166	Nut	2	on req.	-
0580	39000000040	Flat headed screw	4	on req.	-
0590	39000000143	Bolt M8X60	1	on req.	-
0600	39000000541	Sheet metal screw	3	on req.	-
0610	39000000083	Screw M8X20	6	on req.	-
0620	39000000724	Circlip	1	on req.	-
0630	39000000464	Screw	2	on req.	-
0640	39000000219	Hood	1	on req.	-
0650	39000000218	Blade	1	on req.	-
0660	39000000479	Flap switch	1	on req.	-
0670	39000001138	Screw M5X16	3	on req.	-
0680	39000000540	Seal	1	on req.	-
0690	39000001139	Screw 5x50 mm	1	on req.	-
0710	39000000177	Motor 2,6/3,1KW	1	on req.	-
0720	39000000175	Switch GI150/752H 230V50Hz	1	on req.	-
0800	39000005540	Stop	1	on req.	-
0810	39000001459	Shaft	1	on req.	-
0820	39000001644	Flange B14	1	on req.	-
0830	39000005290	Cover 4 KW	1	on req.	-
0840	39000001656	Service kit	1	on req.	-
0900	39000006111	Sign	1	on req.	-
0930	43041040048	Fillister head screw	4	on req.	-
0935	39000000720	Nut M4	3	on req.	-
0940	39000000444	Screw	4	on req.	-
0950	39000004495	Cable with CEE-plug	1	on req.	-
9000	39410001000	Operating instructions GI 75/150	1	on req.	-

Type:  
Part no.:

GI 75 2H 2V  
79020200233

7 902 01 - GI75  
7 902 02 - GI752H



Type:  
Part no.:

GI 75 2H 2V  
79020200233

7 902 01 - GI75  
7 902 02 - GI752H

