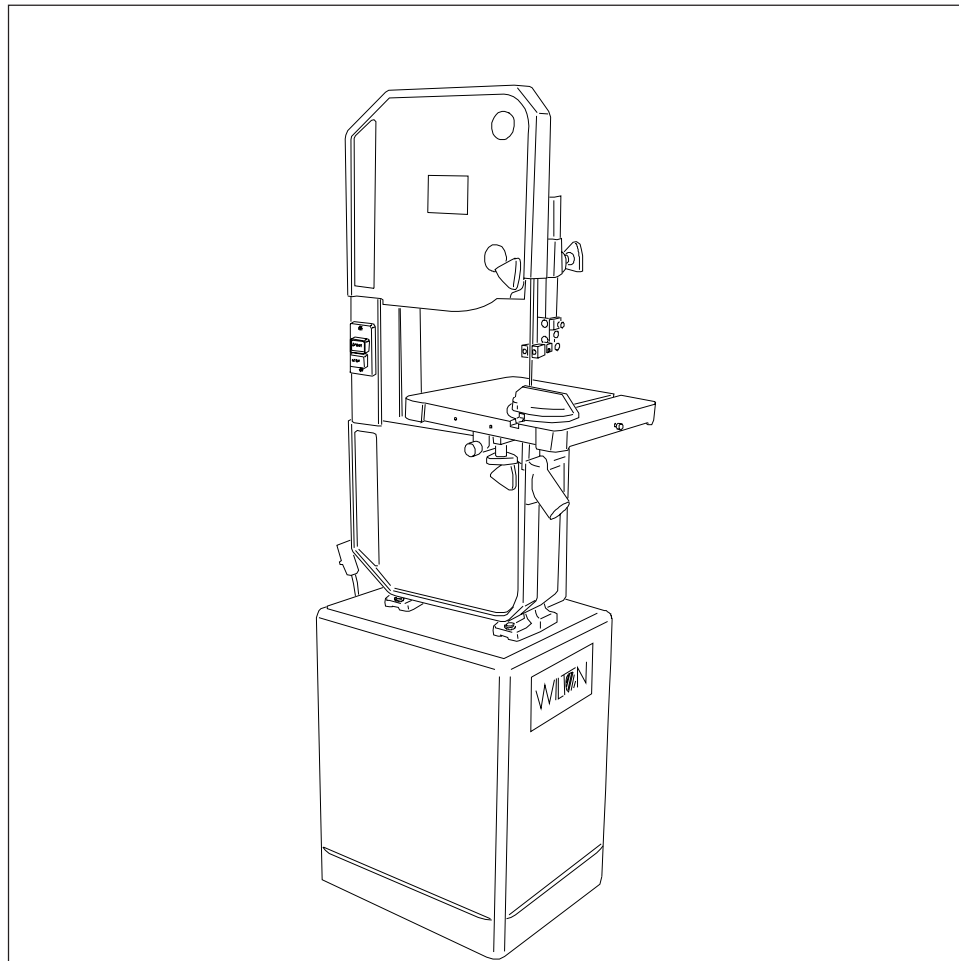




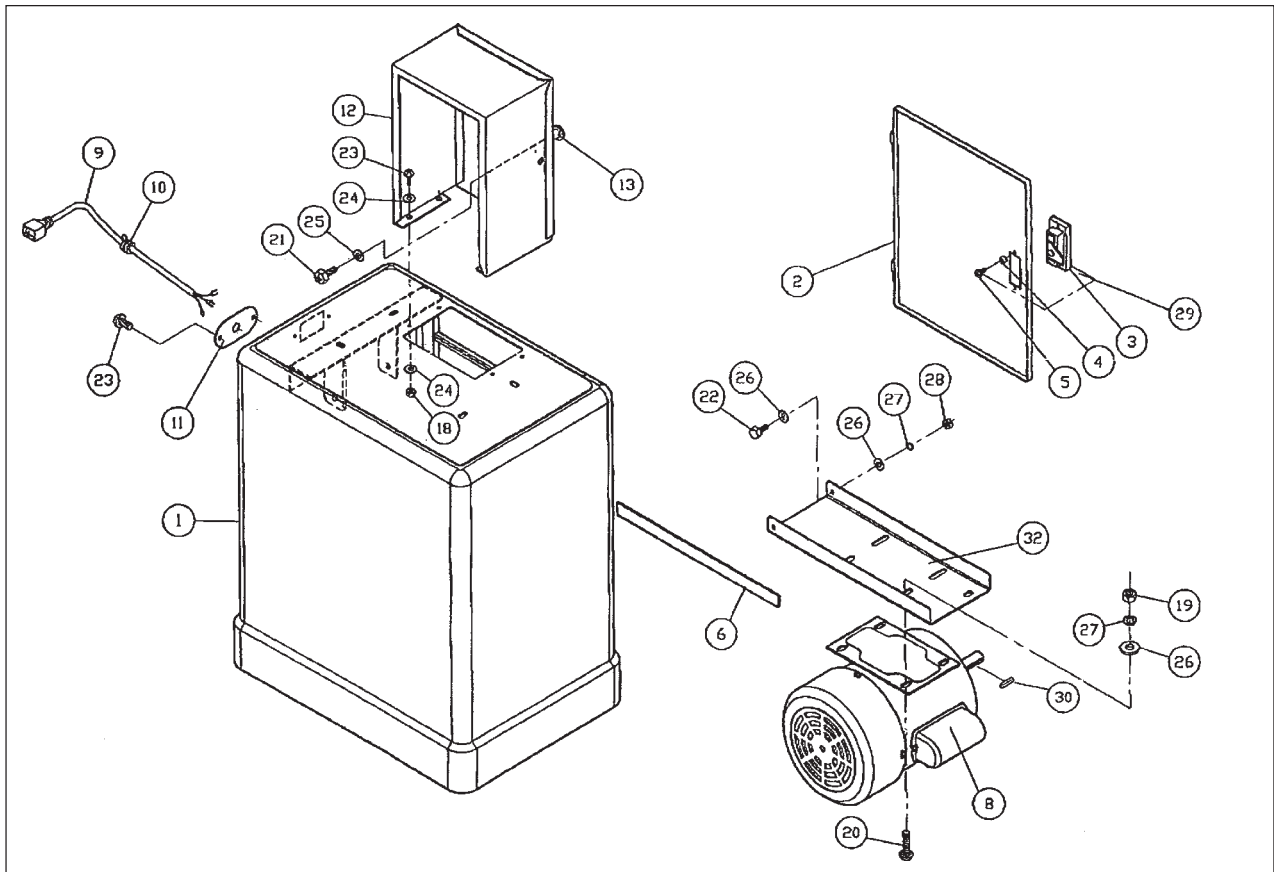
Operating Instructions — Parts Manual
14-Inch Vertical Band Saws
Models: 8201, 8203, 8201VS and 8203VS



WHM TOOL GROUP
2420 Vantage Drive
Elgin, Illinois 60123
Ph.: 800-274-6848
www.wmhtoolgroup.com

Part No. 9078171
Revision C2 04/07
Copyright © 2007 WMH Tool Group

Exploded View and Parts Listing – Base – Models 8201, 8203, 8201VS and 8203VS



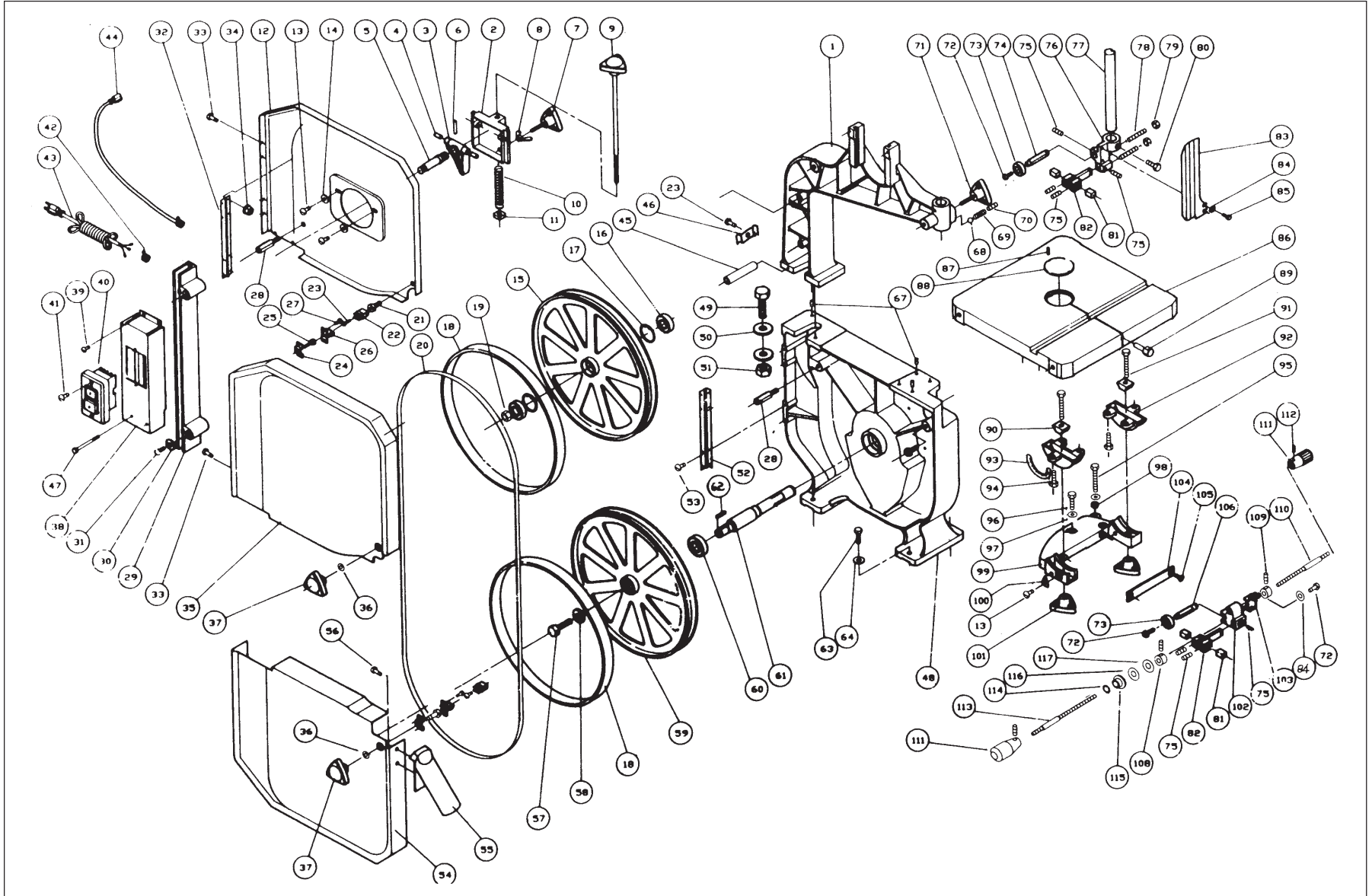
20

Ref No.	Part. Number	Description	Qty	Ref No.	Part. Number	Description	Qty
1	5513834	Base	1	18	5513847	Nut (M5)	4
2	5513835	Door	1	19	5513848	Nut (M8)	8
3	5513836	Lock (Ref. Note 1)	1	20	5513849	Bolt, Carriage (M8x16)	4
4	5513837	Washer (Ref. Note 1)	1	21	5784331	Bolt, Hex Head (M6x12)	1
5	5513838	Bolt, Pan Head (M4x5) (Ref. Note 1)	2	22	5513851	Bolt, Hex Head (M8x25)	4
6	5513839	Pad	2	23	5782761	Bolt, Pan Head (M5x12)	6
8	5784391	Motor - 115V 1-ph	1	24	5513853	Washer, Flat (M5x• 10)	8
	5784411	Motor - 220/460V 3-ph		25	5513854	Washer, Flat (M6x• 16)	1
9	5784421	Cord, Motor - 1-ph	1	26	5513855	Washer, Flat (M8x• 18)	12
	5784431	Cord, Motor - 3-ph		27	5513856	Washer, Spring (M8)	8
10	5513842	Strain Relief	2	28	5513857	Nut, Nylon (M8)	2
11	5784281	Plate, Strain Relief	1	29	5513858	Lock Assembly	1
12	5513844	Case, Pulley	1	30	5513859	Key	1
	5513845	Cover, Pulley Case (Not Shown)	1	31	5513860	Stand, Close (Not Shown)	1
13	5513846	Knob	1	32	5513861	Bracket, Motor	1
				33*	5507565	Base Assembly without motor	1

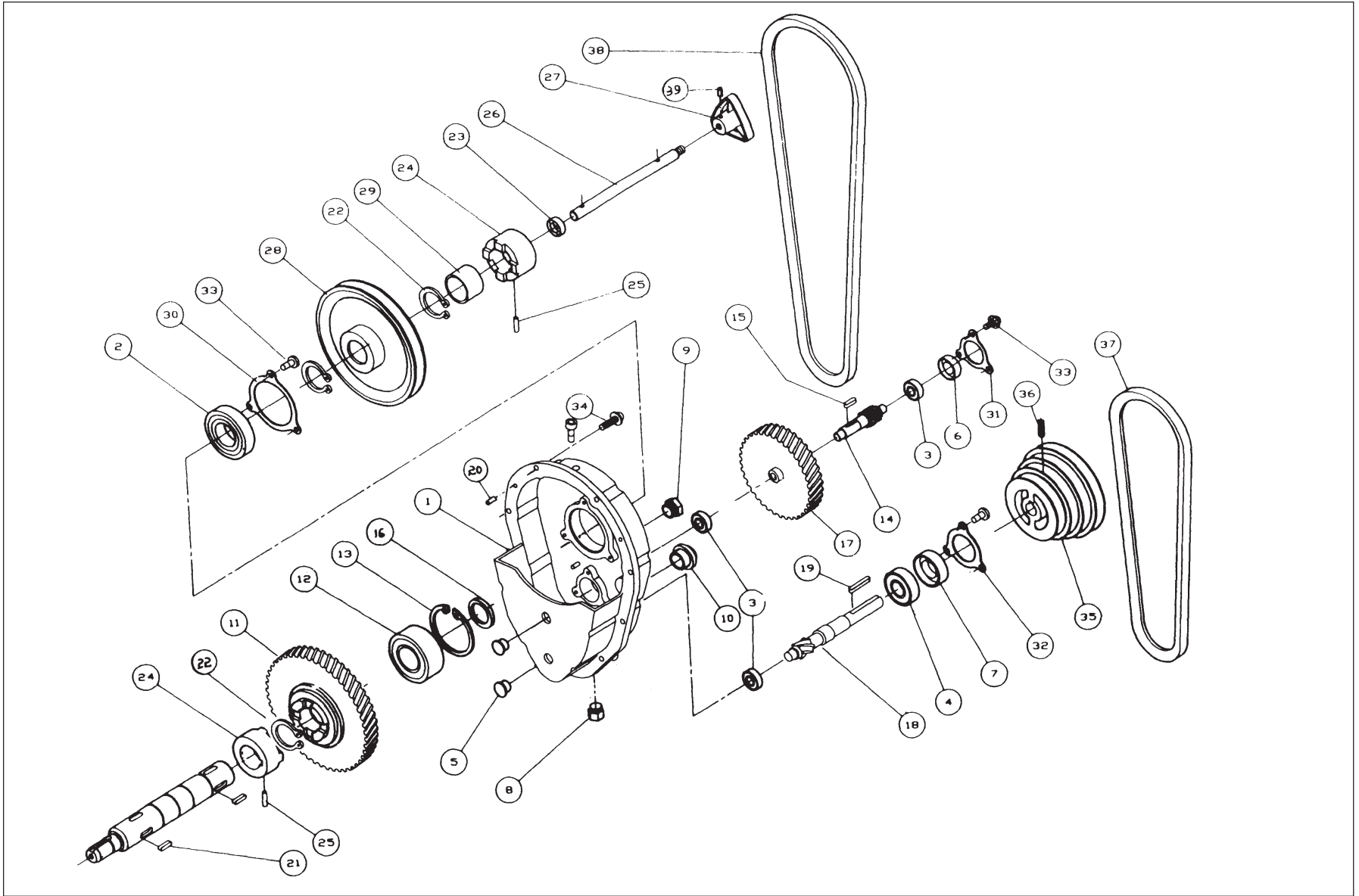
Note 1: Noted parts are part of lock assembly, number 29

* Ref No. 33 includes all components shown in the Exploded View except the motor (Ref No. 8).

Exploded View – Saw Head – Models 8201, 8203, 8201VS, and 8203VS



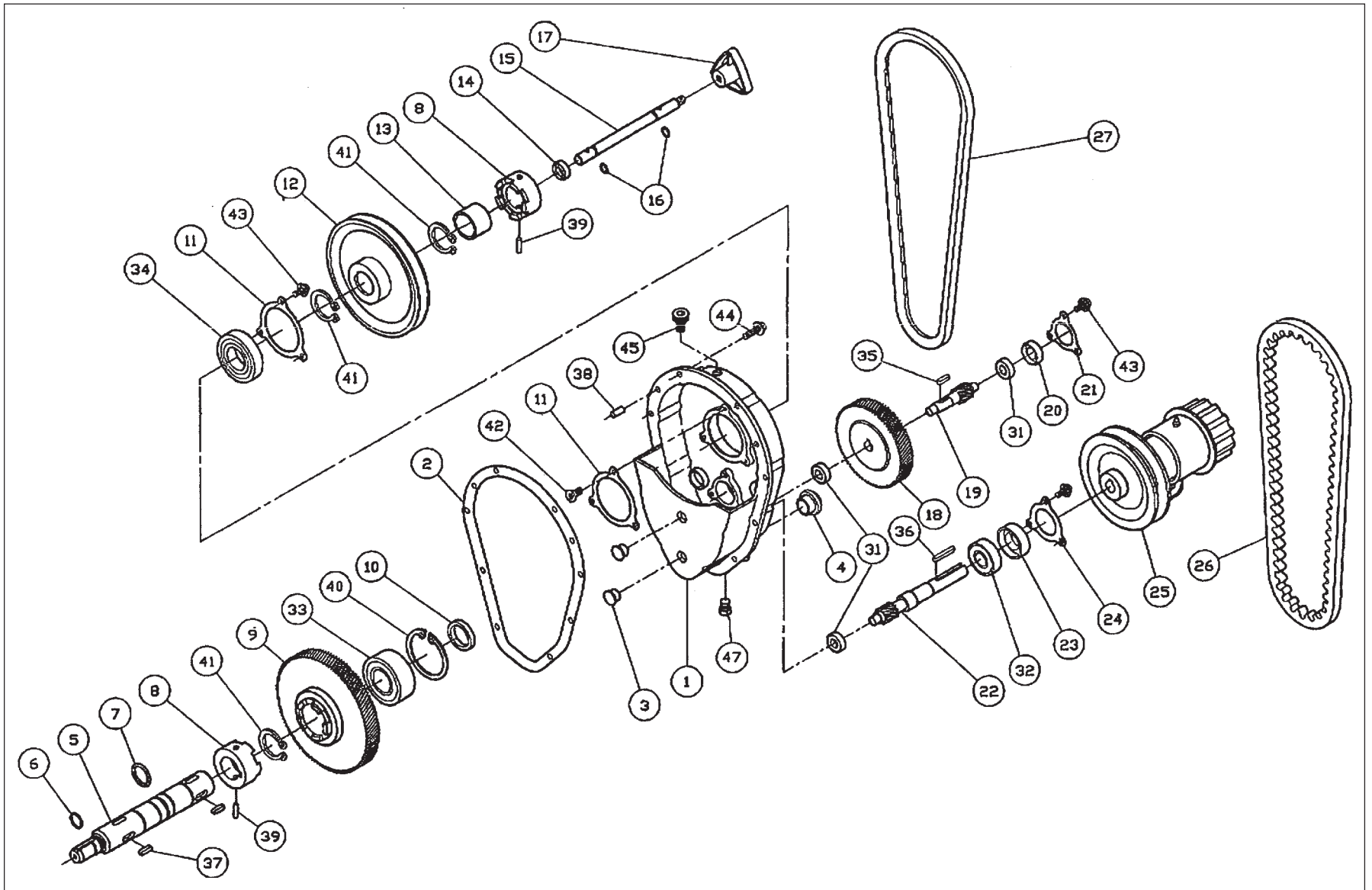
Exploded View – Gearbox – Models 8201 and 8203



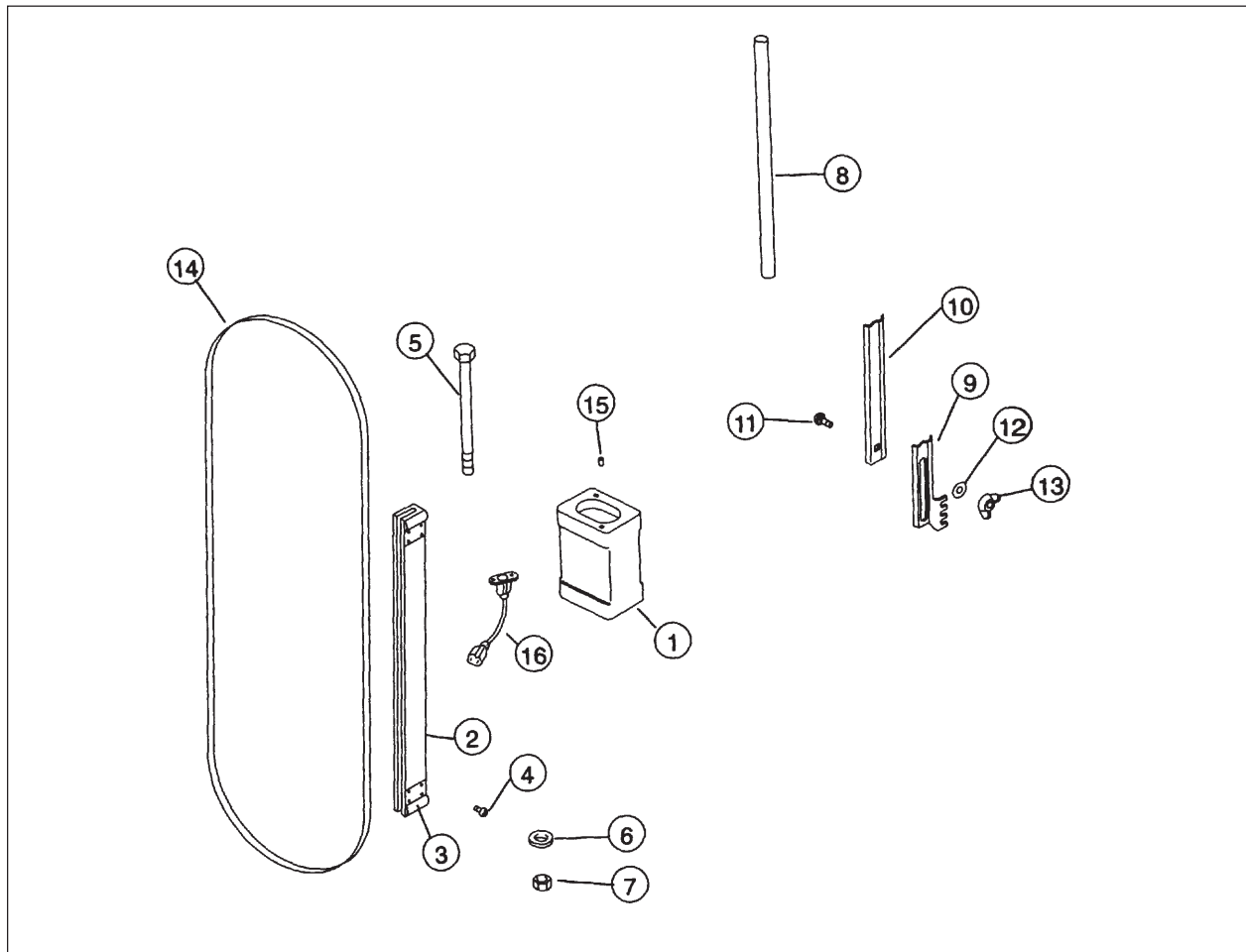
Parts Listing – Gearbox – Models 8201 and 8203

Ref No.	Part. Number	Description	Qty	Ref No.	Part. Number	Description	Qty	Ref No.	Part. Number	Description	Qty
1	5783831	Housing Gearbox	1	15	5783961	Key (5x5x18)	1	29	5784121	Bushing	1
2	5629151	Bearing (6206ZZ)	1	16	5783971	Bushing/Spacer	1	30	5513800	Cover, Bearing	1
3	9100441	Bearing (6200ZZ)	3	17	5783981	Gear	1	31	5784141	Cover, Bearing	1
4	5783851	Bearing (6303ZZ)	1	18	5783991	Shaft (with gear)	1	32	5784151	Cover, Bearing	1
5	5783861	Plug	2	19	5784011	Key (5x5x40)	1	33	5784161	Screw, Pan Head (M5x0.8x8)	9
6	5783871	Seal, Oil (30x7)	1	20	5513824	Pin, Parallel (5x20)	2	34	5784171	Screw, Pan Head (M6x1x10)	8
7	5783881	Seal, Oil (17x40x7)	1	21	5784031	Key (7x7x20)	2	35	5784181	Pulley, Gear Box	1
8	5783891	Plug, Drain (1/8x28PT)	1	22	5784041	Ring, Retaining (S30)	3	36	5784191	Screw, Set (M6x1x10)	2
9	5783901	Plug (3/8x19PT)	1	23	5784051	Seal, Oil	1	37	5784211	V-Belt (A50)	1
10	5783911	Glass, Oil Level	1	24	5784061	Dog, Clutch	2	38	5784221	V-Belt (A35)	1
11	5783921	Gear	1	25	5784071	Pin, Roll (5x30)	2	39	5784231	Pin, Roll (4x16)	1
12	5783931	Bearing (3206)	1	26	5784081	Shaft, Clutch	1	40	5518281	Oil, Gear Box 500cc (not shown)	1
13	5783941	Ring, Internal Snap (R62)	1	27	5784091	Knob	1				
14	5783951	Shaft (with gear)	1	28	5784111	Pulley	1				

Exploded View – Gearbox – Models 8201VS and 8203VS

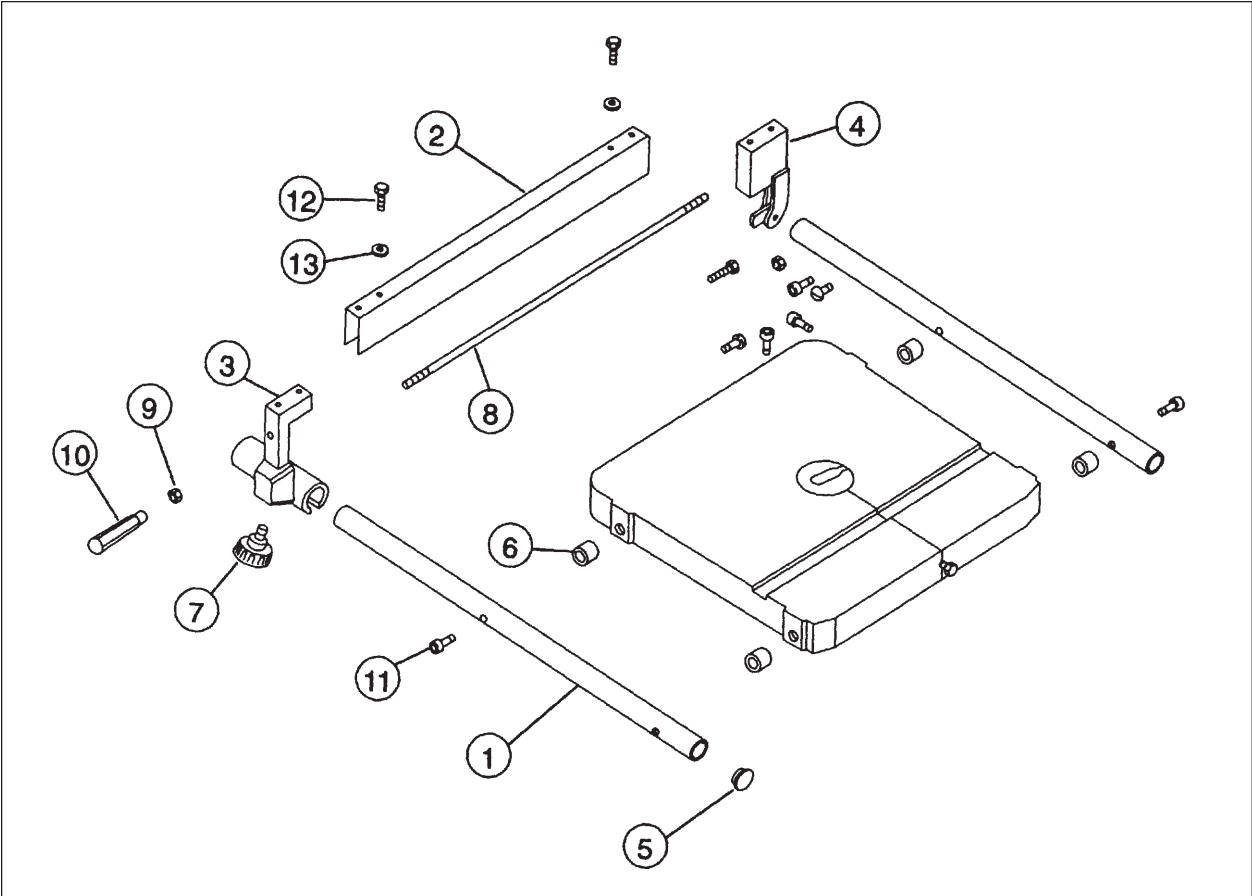


Parts List – Optional Riser Block – All Models



Ref No.	Part. Number	Description	Qty
1	5784511	Block, Riser	1
2	5784521	Guard, Blade	1
3	5784531	Hook, Bracket	2
4	5784541	Screw, Self Tapping	4
5	5784551	Screw, Hex Head (M16x2x200)	1
6	5784561	Washer (M16)	1
7	5784571	Nut (M16)	1
8	5784581	Post, Guide	1
9	5784591	Guard, Upper Wheel Blade	1
10	5784611	Extender, Blade Guard	1
11	5784621	Bolt, Carriage (M8x15)	1
12	5784631	Washer (M8)	1
13	5782581	Nut, Wing (M8)	1
14	5784641	Blade, Saw (Metal Cutting)	1
	5784681	Blade, Saw (Wood Cutting)	1
15	5784651	Pin, Dowel	2
16	5784661	Cord, Extension Power (1-Phase)	1
	5784671	Cord, Extension Power (3-Phase)	1

Parts List – Optional Rip Fence – All Models



28

Ref No.	Part. Number	Description	Qty
1	5784811	Rail, Guide	2
2	5784821	Fence, Rip	1
3	5784831	Seat Assembly, Clamp	1
4	5784841	Clamp Rail	1
5	5784851	Plug (7/8)	4
6	5784861	Spacer	4
7	5784871	Knob	1
8	5784881	Bar, Adjusting	1
9	5784891	Nut (3/8x16UNC)	1
10	5784911	Handle	1
11	5784921	Screw, Socket Head Cap (M8x30)	4
12	5784931	Screw, Hex Head (M6x12)	2
13	5782981	Washer (M6)	2
	5784941	Gauge Assembly, Miter (Not Shown)	1

Notes:



WMH Tool Group
2420 Vantage Drive
Elgin, IL 60123
Phone: 847-274-6848