

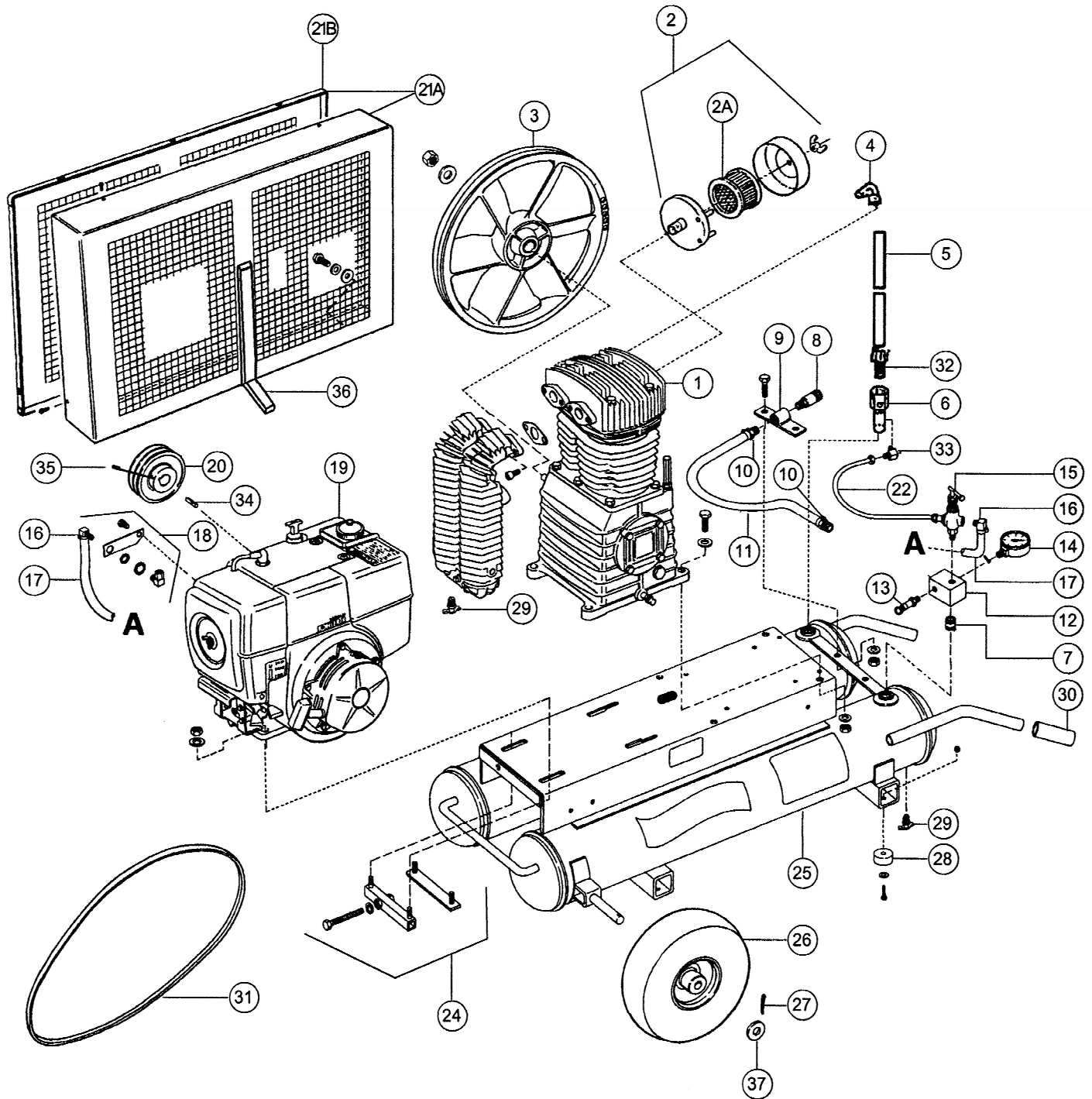
ROLAIR

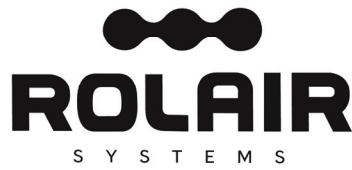
SCHEMATIC FOR MODELS

7722HK28

8422K30

8422HK30





**PARTS LIST FOR MODELS
7722HK28 8422K30 8422HK30**

Schematic #	Description	Part #	Qty.
1	II Stage Pump with Flywheel - Model 7722HK28 II Stage Pump less Flywheel - Model 7722HK28 II Stage Pump with Flywheel - Models 8422K30 & 8422HK30 II Stage Pump less Flywheel - Models 8422K30 & 8422HK30	PMP22K28CH PMP22K28CHLF PMP22K30CH PMP22K30CHLF	1 1 1 1
2	Silencer/Filter Assembly	FS14075	1
2A	Filter Element – Replacement for Above	431	1
3	Flywheel - Models 8422HK30 & 8422K30 Model 7722HK28	31003040CH 31004620CH	1 1
4	Brass Elbow	BREL0750X075039	1
5	Discharge Tube - Model 7722HK28 Model 8422HK30 – Honda* Model 8422K30 – Kohler*	7722HK28-DISCH TB 8422HK30-DISCH TB 8422K30-DISCH TB	1 1
6	Check Valve	CV4X4TA	1
7	Nipple	BLNP0500X1500	1
8	Quick Disconnect	309A	1
9	Accessory Bracket	210	1
10	Brass Coupler	BRCP0375X0375H12	2
11	3/8" Rubber Hose – 16" Hose Clamp	178A 177A	1.34' 2
12	Aluminum Block Manifold	154	1
13	Safety Relief Valve	SRV0250A175	1
14	Gauge	GA0250300GC	1
15	Pilot Unloader Valve	131B	1
16	Brass Elbow	BREL0250X0125H16	2
17	1/4" Rubber Hose – 36" Hose Clamp	178 177B	3' 2
18	Throttle Control Assembly – Kohler Throttle Control Assembly - Honda	191M8T 192EGX240QA	1 1
19	Kohler Engine Honda Engine Optional Engine Drain Extension for Above	N.L.A. ENG09H01 HDE8	 1 1
20	Pulley - Model 7722HK28 Models 8422K30 & 8422HK30	PU2AK54X1000 PU2AK46X1000	1 1
21A	Belt Guard Assembly (Base & Cover)	BG8422K30ASSY	1
21B	Belt Guard Cover	BG8423	1
22	1/4" Copper Tubing – 12"	MIS11100	1'
24	Belt Tightener/Mounting Kit - Model 8422K30 Models 7722HK28 & 8422HK30	SBT8HPK0-ANGLE** SBT8HPHO&KAK30-ANGLE**	1 1
25	Twin Tank Assembly	Specify Engine	1
26	Foam-Filled Flat-Free Tire	WLS50	2
27	Cotter Pin	181B	2
28	Rubber Foot	219	4
29	Drain Valve	132BV	3
30	Handle Grip	328	2
31	Belt	BTA63	2
32	Brass Straight	BRST0750X050038	1
33	Brass Elbow	BREL0250X012539	1
34	Keystock	MIS10096C	1
35	Setscrew	MIS10020C	1
36	Field Kit-Belt Guard Bracket	BGB8K30	1
37	Washer	MIS10104	6

*Prior to January 1997, a discharge tube with a 90° bend was used in production. Please advise our Parts Department of the compressor's serial number when ordering this part.

**For units built prior to February 2005, order SBT8HP-SQUARE or SBT8HPHO&KA17-SQUARE respectively.



606 South Lake Street > P.O. Box 346 > Hustisford, WI 53034-0346 > 920.349.3281 > fax 920.349.3691 > www.rolair.com