



SERVICE PARTS LIST

BULLETIN NO.
54-05-0501

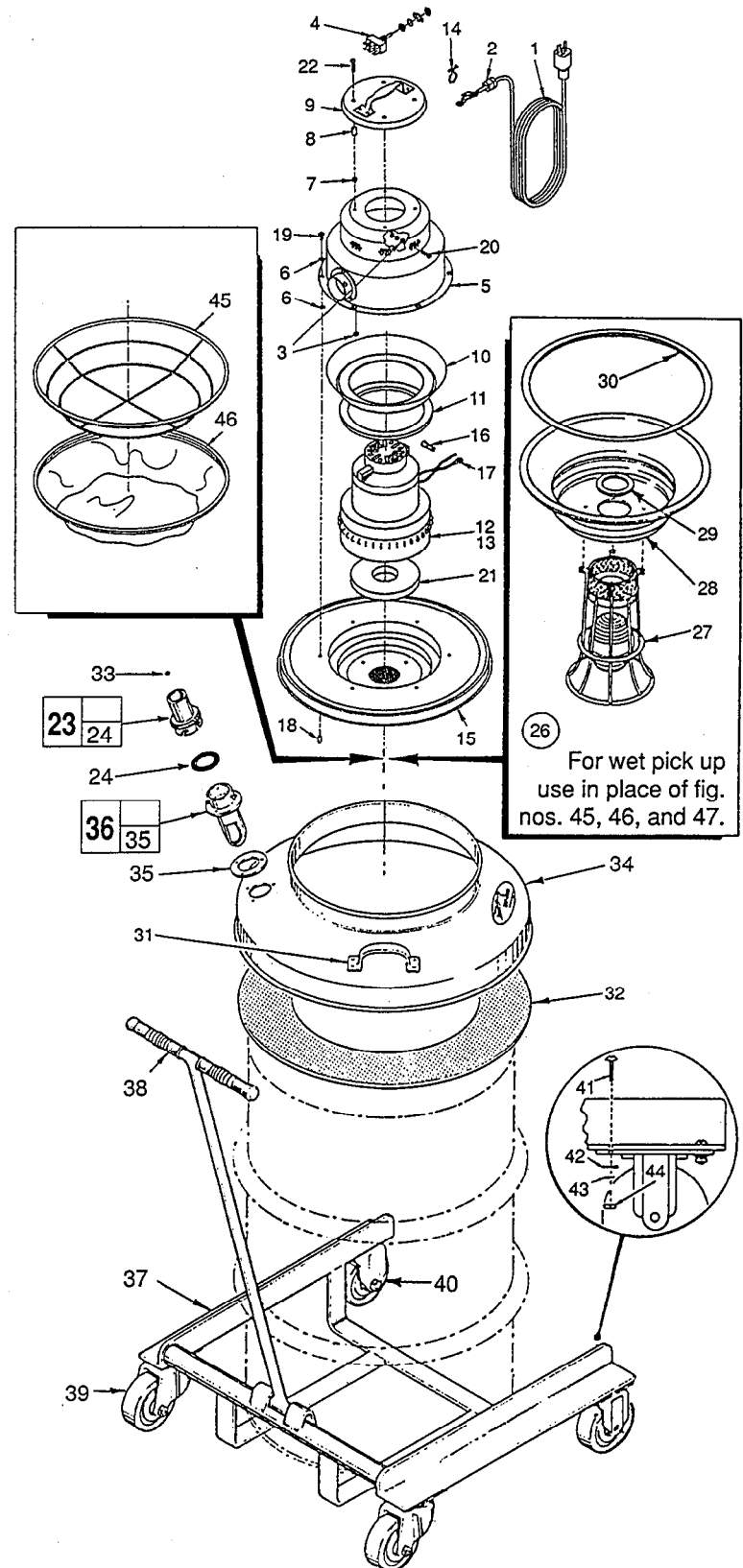
SPECIFY CATALOG NO. AND SERIAL NO. WHEN ORDERING PARTS		REVISED BULLETIN 54-05-0500	DATE June '96
VACUUM CLEANER MOTOR HEAD			
CATALOG NO.	8945	STARTING SERIAL NO.	642A
		WIRING INSTRUCTION SEE REVERSE SIDE	

EXAMPLE:
Component Parts (Small #)
Are Included When Ordering
The Assembly (Large #).



Cat. No. 8945 Motor Head
(Includes Fig. Nos. 1-24)

FIG.	PART NO.	DESCRIPTION OF PART	NO. REQ.
	1	22-64-0700 Cord Set	(1)
	2	44-76-0020 Strain Relief	(1)
★	3	06-55-3800 10-24 Hex Nut	(7)
	4	23-66-0870 Switch	(1)
★	5	42-92-1055 Dome Assembly	(1)
★	6	45-88-8680 #12 Internal Tooth Lockwasher	(2)
★	7	45-88-8695 .37 Dia. x .18 Nylon Spacer	(4)
★	8	45-88-8700 .37 Dia. x .56 Nylon Spacer	(4)
★	9	44-66-6175 Dome Cap With Handle	(1)
★	10	42-04-3595 Baffle	(1)
★	11	43-44-1025 Top Motor Gasket	(1)
★	12	23-30-0305 3 Stage Motor	(1)
★	13	22-18-0905 Carbon Brush and Holder (Set)	(1)
★	14	22-38-0170 Wire Tie	(1)
★	15	42-92-1060 Cover Assembly	(1)
★	16	23-71-0010 Wire Nut	(4)
★	17	23-74-1280 Terminal	(1)
★	18	44-76-0275 Screw Tip Protector	(6)
★	19	06-81-1815 12 x 1/2 Phillips Type B Pan Hd. Screw	(6)
★	20	06-81-1812 10-24 x 3/4" Phlp. Screw	(1)
★	21	43-44-1030 Bottom Motor Gasket	(1)
★	22	06-81-1825 10-24 x 1" Round Hd. Phlp. Screw	(4)
★	23	49-90-0150 Swivel Hose Connector	(1)
★	24	43-44-0275 Gasket	(1)
★	12-20-8900	Service Nameplate Kit	(1)
★	10-20-8900	Warning Label	(1)
★	10-05-5050	Conversion Label	(1)
26	49-90-1610	Wet Pick-Up Conversion Pan Assembly (Includes Fig. Nos. 27 thru 30)	(1)
	27	42-46-0110 Float Cage Assembly	(1)
	28	44-54-0050 Wet Pan Adapter	(1)
	29	43-44-0340 Shut Off Gasket	(1)
	30	43-44-0330 Gasket	(1)
	49-90-1590	16" Drum Adapter Assembly (Includes Fig. Nos. 31 thru 36)	(1)
31	43-62-0500	Handle	(2)
32	43-44-0350	Gasket	(1)
33	43-33-0490	Elbow (Not Shown)	(1)
34	42-04-0430	Drum Adapter	(1)
35	43-44-0370	Inlet Gasket	(1)
36	42-86-0080	Inlet Connector Assembly	(1)
37	49-90-1100	Four Wheel Drum Dolly (Includes Fig. Nos. 38 thru 44)	(1)
	38	43-62-0510 Handle Grip	(2)
	39	45-94-0300 5" Swivel Caster	(2)
	40	45-94-0305 5" Rigid Caster	(2)
	41	06-81-1810 1/4-20 Screw	(16)
	42	45-88-5220 Flat Washer	(16)
	43	06-97-4050 1/4 Split Lockwasher	(16)
	44	06-55-1525 1/4-20 Hex Nut	(16)
★	45	49-90-0275 Wire Frame	(1)
★	46	49-90-0265 Cloth Filter and Gasket	(1)
	47	49-90-0320 Dacron Filter Bag (Not Shown)	(1)



MILWAUKEE ELECTRIC TOOL CORPORATION
13135 W. LISBON RD., BROOKFIELD, WI 53005

WIRING SCHEMATIC

8911, 8912, 8912-2, 8925, 8925-2
8926, 8935, 8945, 8945-2

