



SERVICE PARTS LIST

BULLETIN NO.
54-05-0650

SPECIFY CATALOG NO. AND SERIAL NO. WHEN ORDERING PARTS		REVISED BULLETIN	DATE
VARI-TEMP. D.I. HEAT GUN			Oct. '97
CATALOG NO.	8977	SERIAL NUMBER	747-1001
		WIRING INSTRUCTION SEE REVERSE SIDE	

EXAMPLE:

00	0
----	---

 Component Parts (Small #) Are Included
 When Ordering The Assembly (Large #).

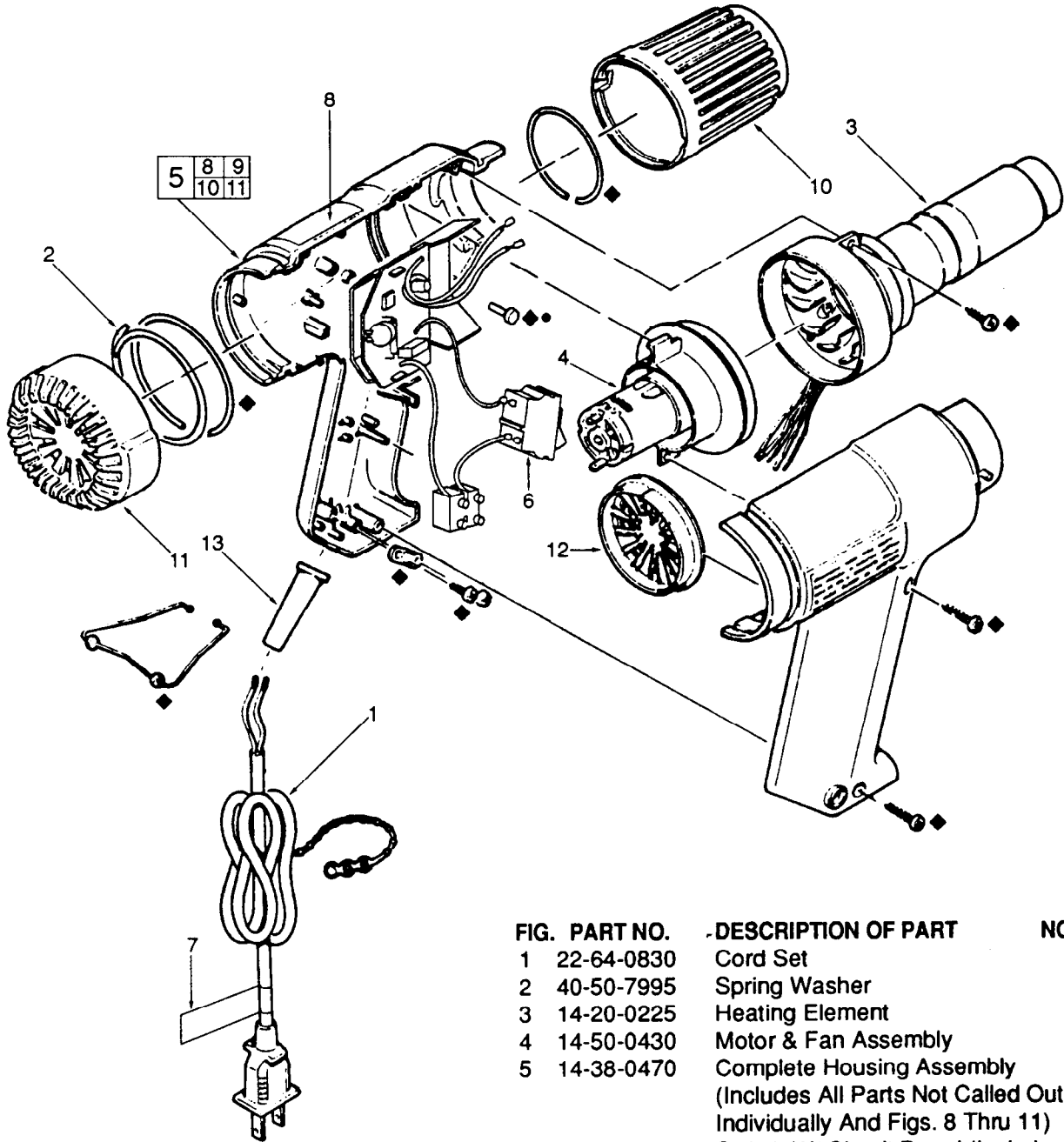


FIG.	PART NO.	DESCRIPTION OF PART	NO. REQ.
1	22-64-0830	Cord Set	(1)
2	40-50-7995	Spring Washer	(1)
3	14-20-0225	Heating Element	(1)
4	14-50-0430	Motor & Fan Assembly	(1)
5	14-38-0470	Complete Housing Assembly (Includes All Parts Not Called Out Individually And Figs. 8 Thru 11)	(1)
6	23-66-1455	Switch W/ Circuit Board (Includes ●)	(1)
7	10-15-0385	Warning Label	(1)
8	12-20-1045	Service Nameplate Kit	(1)
9	14-46-8975	Repair Kit (Includes All ◆ Items)	(1)
10	31-55-0160	Nose Guard	(1)
11	31-12-0200	End Cap	(1)
12	31-12-0210	Inlet Protection Cap	(1)
13	44-76-0135	Strain Relief	(1)

MILWAUKEE ELECTRIC TOOL CORPORATION
 13135 W. LISBON RD., BROOKFIELD, WI 53005

WIRING INSTRUCTIONS

