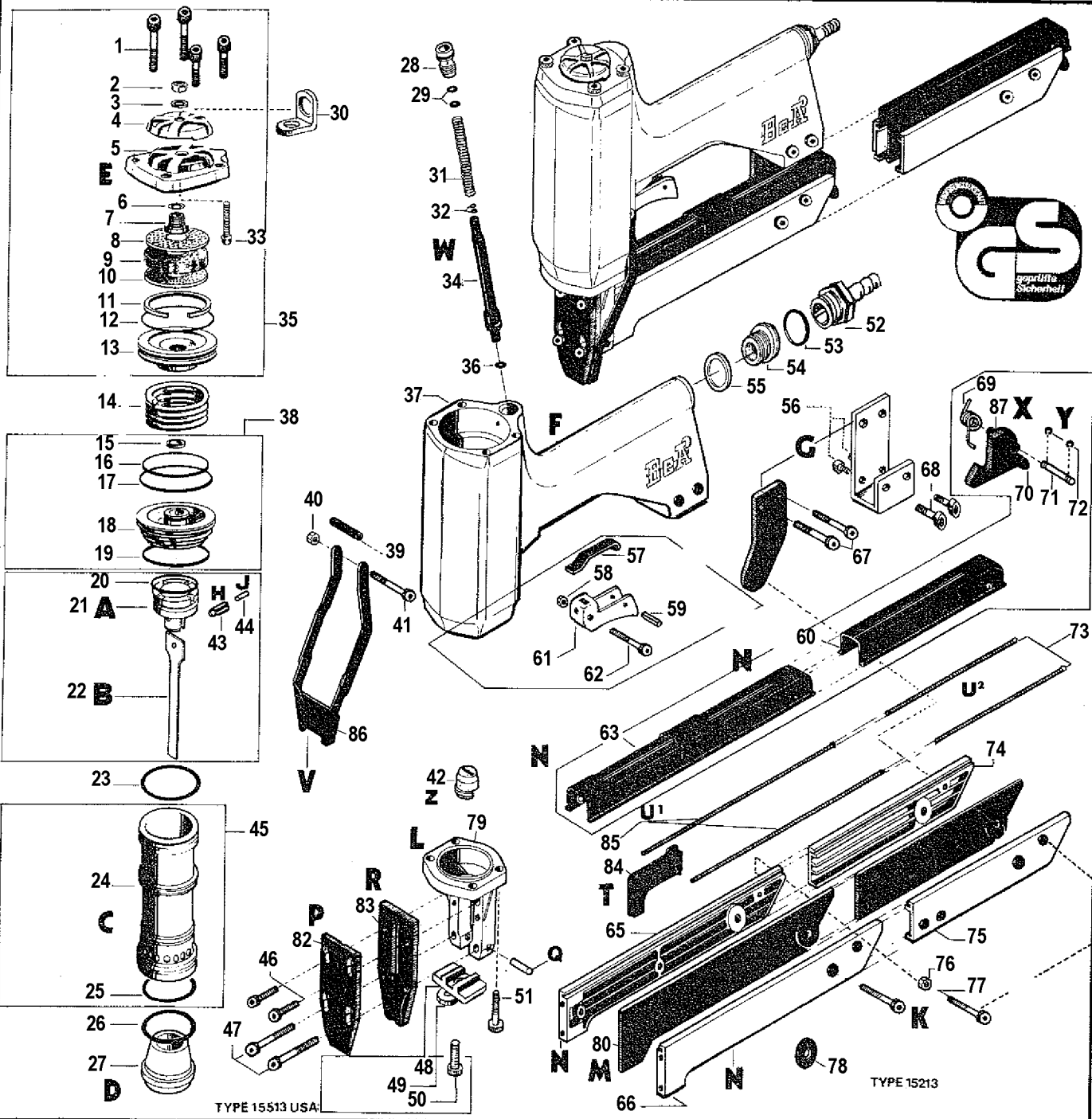


BA-T150 BA-T157
 BA-T150LM BA-T151LM N/A N/A

Typen: 92/45-14511 90/38-15011 92/38-15111 14/38-15213 T 54-15511
 90/38-15015 92/38-15115 14/38-15215 T 54-15513 USA
 14/38-50-15711



Parts List for 90-38-15011 Type 0

| Item Number | Part Number | Description | Qty Required |
|-------------|---------------|---------------------|--------------|
| 1 | BA-753680 | ALLEN BOLT | 4 |
| 2 | 000000-00 | No Longer Available | 1 |
| 3 | 000000-00 | No Longer Available | 1 |
| 4 | 000000-00 | No Longer Available | 1 |
| 5 | 000000-00 | No Longer Available | 1 |
| 6 | BA-600120 | O-RING | 1 |
| 7 | 000000-00 | No Longer Available | 1 |
| 8 | BA-2035010130 | PERFORATED DISC | 1 |
| 9 | 000000-00 | No Longer Available | 1 |
| 10 | BA-2035010130 | PERFORATED DISC | 1 |
| 11 | 000000-00 | No Longer Available | 1 |
| 12 | BA-600330 | O-RING | 1 |
| 13 | 000000-00 | No Longer Available | 1 |
| 14 | 000000-00 | No Longer Available | 1 |
| 15 | BA-600600 | O-RING | 1 |
| 16 | BA-602200 | O-RING | 1 |
| 17 | BA-601350 | O-RING | 1 |
| 18 | 000000-00 | No Longer Available | 1 |
| 19 | 000000-00 | No Longer Available | 1 |
| 20 | BA-602170 | O-RING | 1 |
| 21 | 000000-00 | No Longer Available | 1 |
| 22 | 000000-00 | No Longer Available | 1 |
| 23 | BA-601590 | O-RING | 1 |
| 24 | 000000-00 | No Longer Available | 1 |
| 25 | 000000-00 | No Longer Available | 1 |
| 26 | BA-601590 | O-RING | 1 |
| 27 | BA-2015001862 | MAIN PISTON BUMPER | 1 |

Parts List for 90-38-15011 Type 0

| Item Number | Part Number | Description | Qty Required |
|-------------|---------------|---------------------|--------------|
| 28 | 000000-00 | No Longer Available | 1 |
| 29 | BA-600110 | O-RING | 1 |
| 30 | 000000-00 | No Longer Available | 1 |
| 31 | 000000-00 | No Longer Available | 1 |
| 32 | BA-600050 | O-RING | 1 |
| 33 | 000000-00 | No Longer Available | 1 |
| 34 | BA-2015010401 | VALVE SHAFT | 1 |
| 35 | 000000-00 | No Longer Available | 1 |
| 36 | 000000-00 | No Longer Available | 1 |
| 37 | 000000-00 | No Longer Available | 1 |
| 38 | 000000-00 | No Longer Available | 1 |
| 39 | BA-2015001470 | SPACER SLEEVE | 1 |
| 40 | 000000-00 | No Longer Available | 1 |
| 41 | 000000-00 | No Longer Available | 1 |
| 42 | 000000-00 | No Longer Available | 1 |
| 43 | BA-616560 | SPLIT PIN | 1 |
| 44 | 000000-00 | No Longer Available | 1 |
| 45 | 000000-00 | No Longer Available | 1 |
| 46 | 000000-00 | No Longer Available | 2 |
| 47 | 000000-00 | No Longer Available | 2 |
| 48 | 000000-00 | No Longer Available | 1 |
| 49 | 000000-00 | No Longer Available | 1 |
| 50 | 000000-00 | No Longer Available | 1 |
| 51 | 000000-00 | No Longer Available | 1 |
| 52 | 000000-00 | No Longer Available | 1 |
| 53 | 000000-00 | No Longer Available | 1 |
| 54 | 000000-00 | No Longer Available | 1 |

Parts List for 90-38-15011 Type 0

| Item Number | Part Number | Description | Qty Required |
|-------------|-------------|---------------------|--------------|
| 55 | BA-608030 | GASKET | 1 |
| 56 | 000000-00 | No Longer Available | 1 |
| 57 | 000000-00 | No Longer Available | 1 |
| 58 | 000000-00 | No Longer Available | 1 |
| 59 | 000000-00 | No Longer Available | 1 |
| 60 | 000000-00 | No Longer Available | 1 |
| 61 | 000000-00 | No Longer Available | 1 |
| 62 | 000000-00 | No Longer Available | 1 |
| 63 | 000000-00 | No Longer Available | 1 |
| 65 | 000000-00 | No Longer Available | 1 |
| 66 | 000000-00 | No Longer Available | 1 |
| 67 | BA-753980 | ALLEN BOLT | 2 |
| 68 | 000000-00 | No Longer Available | 1 |
| 69 | 000000-00 | No Longer Available | 1 |
| 70 | 000000-00 | No Longer Available | 1 |
| 71 | 000000-00 | No Longer Available | 1 |
| 72 | 000000-00 | No Longer Available | 1 |
| 73 | 000000-00 | No Longer Available | 1 |
| 74 | 000000-00 | No Longer Available | 1 |
| 75 | 000000-00 | No Longer Available | 1 |
| 76 | 000000-00 | No Longer Available | 1 |
| 77 | 000000-00 | No Longer Available | 1 |
| 78 | 000000-00 | No Longer Available | 1 |
| 79 | 000000-00 | No Longer Available | 1 |
| 80 | 000000-00 | No Longer Available | 1 |
| 82 | 000000-00 | No Longer Available | 1 |
| 83 | 000000-00 | No Longer Available | 1 |

Parts List for 90-38-15011 Type 0

| Item Number | Part Number | Description | Qty Required |
|-------------|-------------|---------------------|--------------|
| 84 | 000000-00 | No Longer Available | 1 |
| 85 | 000000-00 | No Longer Available | 1 |
| 86 | 000000-00 | No Longer Available | 1 |
| 87 | 000000-00 | No Longer Available | 1 |