

# PARTS LEGEND

## Cordless 16 ga. Straight Finish Nailer, 902000

1	900640	1	Grill	57	401450	3	Battery Pad
*2	900648	1	Filter	58	902010	1	Nameplate
3	901064	4	Shoulder Screw 8-32 x 1-3/8"	59	900598	2	Sems Screw 10-32 x 5/16"
4	900596	1	Screw, Sems 8-32 x 7/16"	60	900312	1	Contact, Positive
5	902011	1	Cap	61	404385	1	Light Pipe
→ 6	901119	1	Retaining Ring	62	902005	1	Handle, Rightside
→ 8	901382	1	Fan Motor Assembly with ring	**63	900496	1	Warning Label
*13	401356	1	Motor Sleeve	64	900508	1	International Label
14	900714	1	Spark Plug Assembly	65	404922	2	Battery Contact Pad
15	900674	1	Wire Clip	66	900726	1	Slide Switch Assembly
16	900697	1	Stem Adapter	67	900311	1	Contact, Negative
17	405140	4	Screw 8-32 x 3/8"	68	900792	2	Shoulder Screw 8-32 x 15/32"
18	900785	1	Insulator	69	902007	1	Brad Channel
19	900739	1	Cylinder Head Circuit Board Assembly	70	902003	1	Magazine Extrusion
20	900605	1	Cylinder Head	→ ▲71	900660	2	Screw 10-32 x 3/8"(red)
21	900612	4	Seal Ring	72	900722	1	Follower Pin
22	900709	1	Fan Assembly	73	902002	1	Follower
23	900700	1	Air Dam	74	900691	1	Compression Spring
24	900729	1	Combustion Chamber Assembly	75	900627	1	Negator Spring
25	900704	1	Yoke	76	900720	1	Follower Core
27	900734	1	Roll Pin	77	901111	2	Housing Label
28	900727	1	Knob w/ Yoke Guide Assembly	78	900724	1	Screw Plastite 8-16 x 5/8"
29	900707	2	Probe Bumper	79	902008	1	Follower Body
30	900671	2	Spring, Combustion Chamber	80	901066	4	Screw Plastite 8-16 x 3/4"
31	900706	2	Spring Guide	81	900289	1	Belt Hook
32	900688	1	Latch Cover Quick Clear	82	902006	1	Handle, Leftside
33	900786	1	Quick Clear Lever Assembly	83	900703	1	Handle Bracket
35	900619	1	Dowel Pin	84	900755	1	Bushing Actuator
36	900684	1	Front Plate	85	900788	1	Actuator
38	900685	1	Latch Cover Pin	86	404433	1	Pin Actuator
■ 39	900686	1	Probe	87	900765	1	Spark Plug Wire Assembly
40	900702	1	Probe Tip	88	900663	1	Fan Wire Assembly
41	900708	2	S.H.C.S. 8-32 x 1/2" (red)	89	901050	1	Molded Circuit Assembly
42	900692	1	Retaining Cup	90	900629	1	High Tension Clip
43	902001	1	Nose	91	404702	3	Screw 6-32 x 3/8"
44	900631	1	Spring	92	901053	1	Trigger Spring
45	900602	1	Lockout Bar	94	901045	1	Trigger with Pad
46	900630	1	Lockout Pin	95	901047	1	Trigger Pin
48	900730	1	Sleeve Assembly	96	900672	1	Electronic Spark Unit
49	900616	1	O-Ring	97	901044	1	Soft Grip
50	901089	1	Exhaust Baffle	98	900662	1	ESU Power Wire Assembly
51	900665	1	Reed Plate	99	403099	1	Retaining Ring
52	900664	1	Reed Valve	100	403098	1	Piston Ring
53	900609	1	Muffler	*101	900728	1	Piston Assembly
54	900668	1	Muffler Cover	*102	900680	1	Piston Bumper
56	900620	1	Front Channel Extrusion	103	900746	2	Screw 8-32 x 7/16"
				104	900754	1	Screw 8-32 x 1/2" (yellow)
				105	900645	1	Ball, knob

\* Denotes Normal Wear Items

\*\* Make sure Warning Label (900496) is properly affixed replace if necessary. Label is available at no charge through the Service Dept.

■ Apply Grease Part No. 900767 to threads.

▲ Apply Loctite 277 (red)

→ Denotes New Change

### SAFETY INSTRUCTIONS

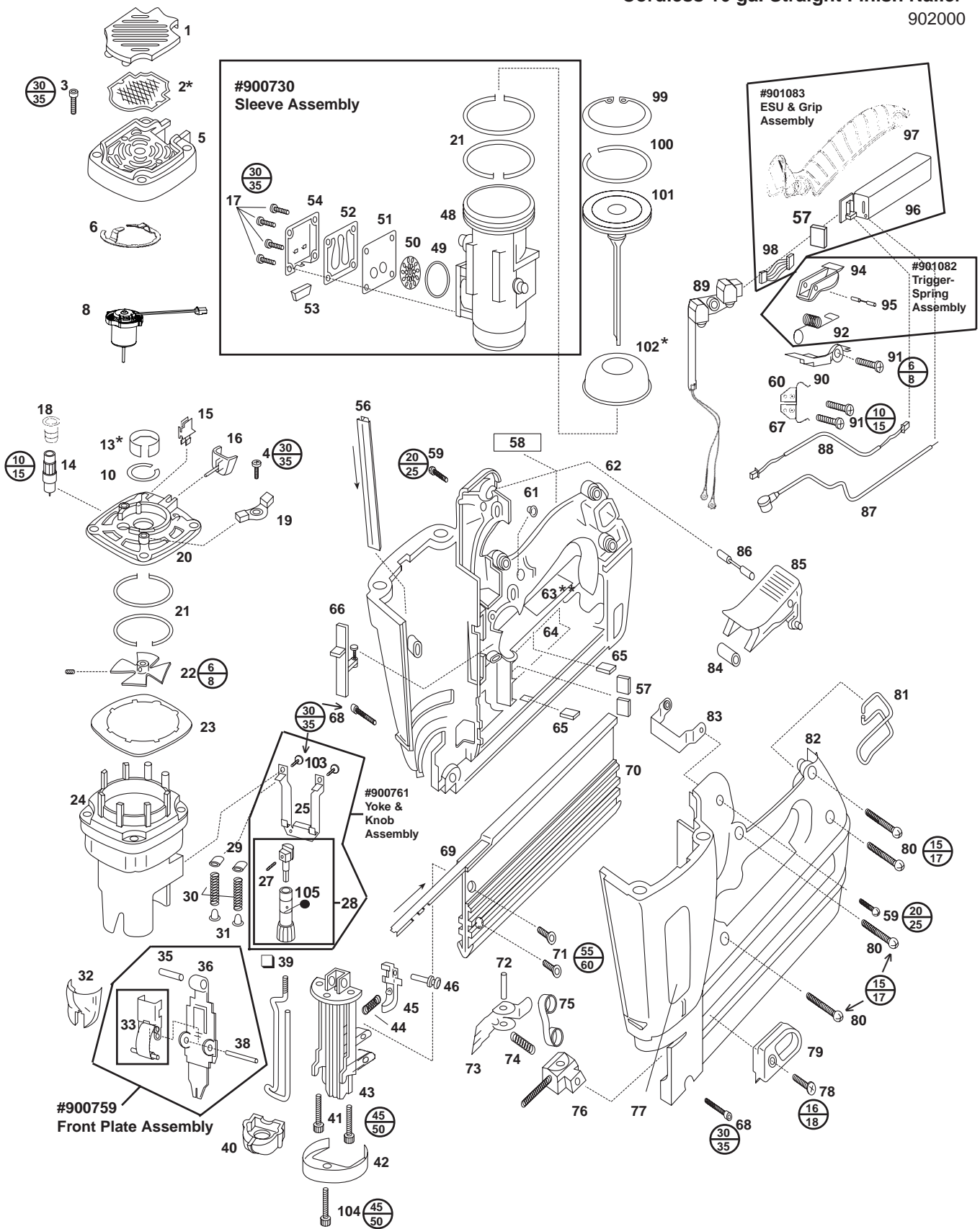
#### WEAR EYE AND HEARING PROTECTION



Always wear hearing protection and eye protection devices, including side shields when operating or working in the vicinity of a tool.



**Cordless 16 ga. Straight Finish Nailer**  
902000



\* Denotes Normal Wear Items  
 \*\* Make sure Warning Label (900496) is properly affixed replace if necessary. Label is available at no charge through the Service Dept.  
 □ Apply Grease Part No. 900767 to threads.

TORQUE VALUES	
MIN	IN/LBS
MAX	