

# PARTS LEGEND Cordless 16 ga. Angled Lithium-ion Finish Nailer, 902400

1	904555	1	Grille	50	902401	1	Handle/Right
*2	900648	1	Filter	51	902230	1	Pin-Fuel Door
3	901064	4	Shoulder Screw 8-32 x 1-3/8"	52	904544	1	Dosing Lever
4	902446	1	Cap	53	904550	1	Fuel Door
5	904557	2	Screw, SHC	54	902235	1	Retaining Ring-Pin-Fuel Door
6	901119	1	Retaining Ring	55	902434	1	Nut-Utility Hook
7	901112	1	Fan Motor Assembly with ring	56	902433	1	Button
*8	401356	1	Motor Sleeve	57	902431	1	Block-Utility Hook
9	900785	1	Insulator	58	902432	1	Spring
10	900714	1	Spark Plug Assembly	59	902435	1	Stop Utility Hook
11	904504	1	Cylinder Head	60	902430	1	Utility Hook
12	904517	1	Fuel Barb	61	901044	1	Soft Grip
13	904546	1	Fuel Tube	62	902440	1	Spark Unit (MSU)
14	902406	1	Fuel Block	63	900662	1	ESU Power Wire Assembly
15	904521	1	Pivot Arm	64	904562	1	Fan Motor Wire Assembly
16	900596	1	SEMS Screw, Torx	65	902458	1	Nameplate
17	900739	1	Cylinder Head Circuit Board Assembly	66	902621	1	Battery Pad
18	900612	4	Seal Ring	67	902439	1	Molded circuit assembly
19	900709	1	Fan Assembly	68	900726	1	Switch Slide Assembly
20	900700	1	Air Dam	69	900792	2	Soc. Hd. Shoulder Screw 8-32
21	900729	1	Combustion Chamber	70	404702	2	Screw 6-32 x 3/8'
22	900707	2	Probe Bumper	71	904567	1	Spark Wire Assembly
23	900746	2	Screw, #8-32 x 7/16	72	901053	1	Trigger Spring
24	900704	1	Yoke	73	901045	1	Trigger Body
25	900734	1	Roll Pin	74	901047	1	Dowel pin, Trigger
26	900804	2	Spring Guide Assembly	75	900629	1	Clip/ High Tention
27	902437	1	Knob w/ Yoke Guide Assembly	76	900770	1	Brad Channel
28	902424	1	Probe	77	902404	1	Magazine Extrusion
*29	902425	1	Probe Tip	78	902421	1	Nose
30	900688	1	Latch Cover, Quick Clear	79	900631	1	Spring, Lockout
31	900619	1	Dowel Pin	80	900602	1	Lockout Bar
32	902422	1	Front Plate	81	900630	1	Lockout Pin
33	900685	1	Dowel Pin	■ 82	900660	2	Screw 10-32 x 3/8"
34	902426	1	Quick Clear Lever Assembly	83	900692	1	Retaining Cup
35	405140	4	Screw 8-32 x 3/8" (red)	84	900708	2	SHC Screw 8-32 x 1/2" (Red)
36	900668	1	Muffler Cover	85	904550	1	SHC Screw 8-32 x 1/2" (Yellow)
37	900609	1	Muffler	86	900722	1	Follower Pin
38	900664	1	Reed Valve	87	900679	1	Follower
39	900665	1	Reed Plate	88	900691	1	Compression Spring
40	901089	1	Exhaust Baffle	89	900627	1	Negator Spring
41	900616	1	Exhaust O-Ring	90	900720	1	Follower Core
42	403099	1	Retaining Ring	91	900617	1	Follower Body
43	403098	1	Piston Ring	92	900724	1	Screw, Plastite 8-16 x 5/8"
*44	900728	1	Piston Assembly	93	901066	4	Screw, Plastite 8-16 x 3/4"
*45	900680	1	Piston Bumper	94	902417	1	Nail Load Indicator Label
46	902402	1	Label, Li-ion+Fuel	95	902441	2	Logo Label "16 Ga."
**47	902444	1	Warning & Instruction Label	96	902442	2	Logo Label "P"
48	902416	1	Depth of Drive Indicator Label	97	902443	2	Logo Label "Paslode"
49	900620	1	Front Channel	98	902403	1	Handle, Left
				99	902456	1	Cyliner sleeve assembly

\* Indicates normal wear items

\*\* Make sure Warning Label (902444) is properly affixed replace if necessary. Label is available at no charge through the Service Dept.

→Denotes New Change

■ Apply Loctite RC-620 (Green) Part No. 401491

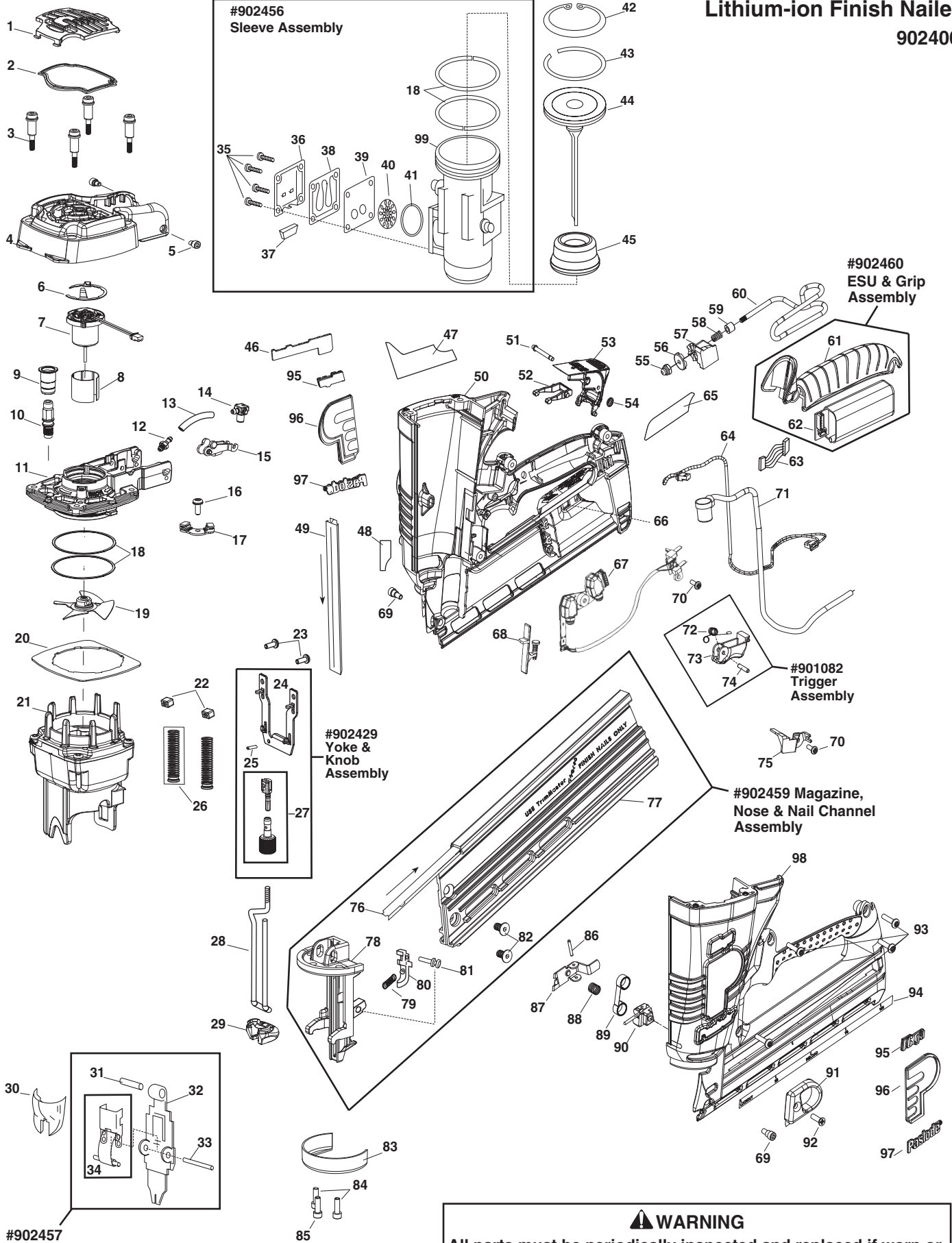
## SAFETY INSTRUCTIONS

### WEAR EYE AND HEARING PROTECTION



Always wear hearing protection and eye protection devices, including side shields when operating or working in the vicinity of a tool.

# Cordless 16 ga. Angled Lithium-ion Finish Nailer 902400



**⚠ WARNING**  
All parts must be periodically inspected and replaced if worn or broken. Failure to do this can affect the tool's operation and present a safety hazard.