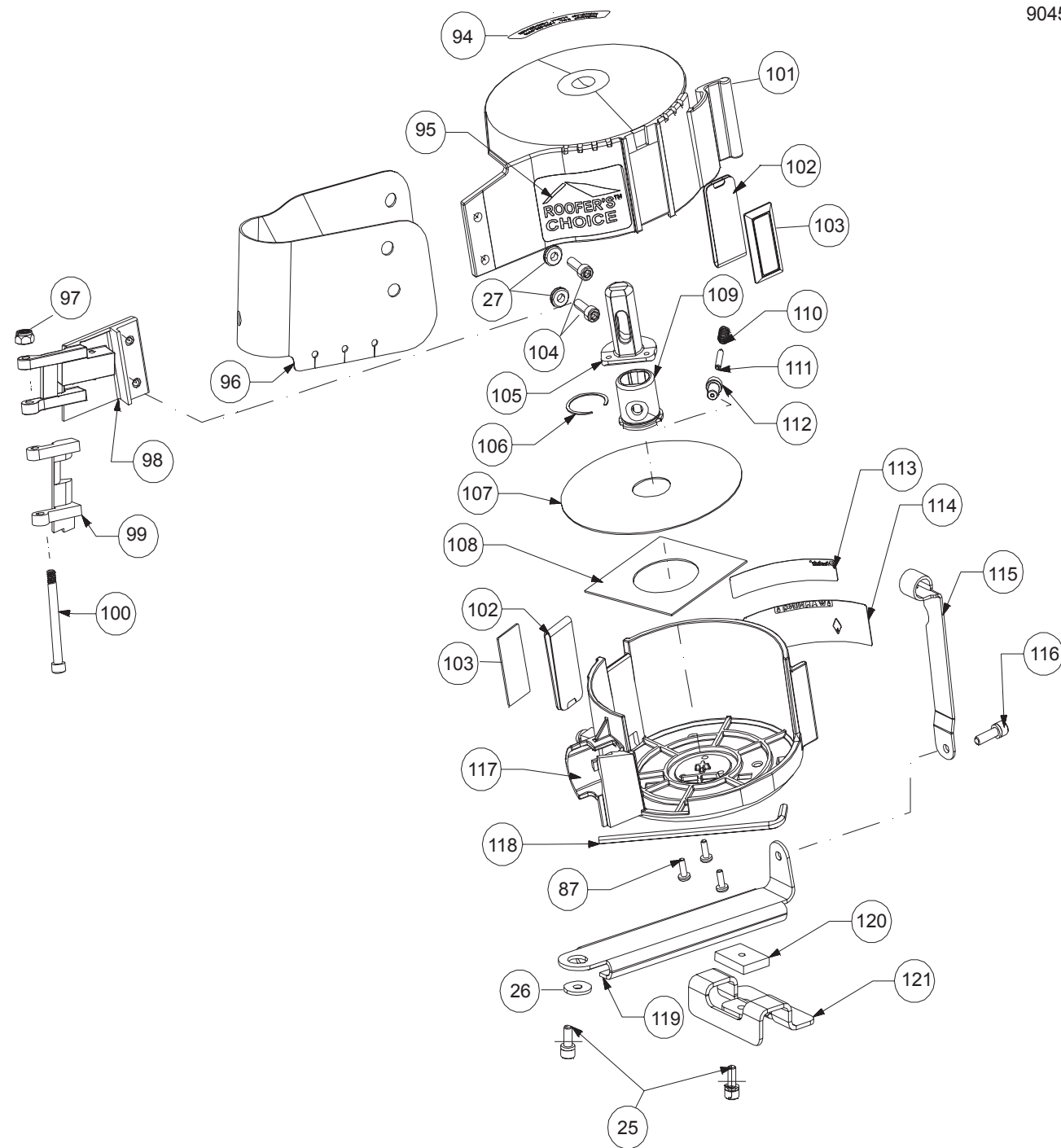


Cordless Roofing Coil Nailer
904500



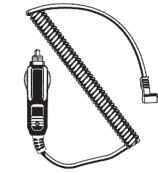
PARTS LEGEND (Continued)

94	904584	1	Call Label,	108	403545	1	Dampener
95	904579	1	Label, Roofer's Choice [®]	109	904554	1	Post, Center Outer
96	904519	1	Shield, Debris	110	500753	1	Spring, Post
97	092037	1	Nut, Door Screw	111	501009	1	Roll Pin, Post
98	404014	1	Door	112	904559	1	Post Button
99	404013	1	Guide	113	904542	1	Nameplate
100	404106	1	Screw-Door	**114	900496	1	Warning Label
101	904513	1	Cover Magazine	115	904515	1	Bracket, Magazine
102	404092	2	Wear Shield	116	900593	1	Screw, 10-24 x 5/8 [†] SHCS
103	904518	2	Wear Pad, Magazine	117	904514	1	Magazine
104	004502	2	Screw, S.H.C.S 10-32 x 5/8	118	401331	1	Hex Key, 5/32
105	904553	1	Post, Center-Inner	119	404018	1	Bracket, Shingle Guide
106	403580	1	Ring, Retaining	120	404019	1	Nut Plate
107	403544	1	Nail Plate	121	404020	1	Guide, Shingle

ACCESSORIES

Car Adapter

Enables you to re-charge your battery with your vehicle's electrical system.



Part No. 900507

Battery

Part No. 404717

Battery Charger Kit

(Replacement Charger Base Only Part No. 901230)
(Replacement Transformer Only Part No. 900477- US/CANADA)



Part No. 900200

9/64[†] Hex Key

Part No. 900736

5/32[†] Hex Key

Part No. 401331

3/16[†] Hex Key

Part No. 901044

Clear Safety Glasses



Part No. 401382

Cordless Tool Cleaner

Ideal cleaner for all Paslode[®] Tools



Part No. 219348

Paslode[®] Cordless Lubricating Oil



Part No. 401482

Backpack Tool Case

Part No. 904520

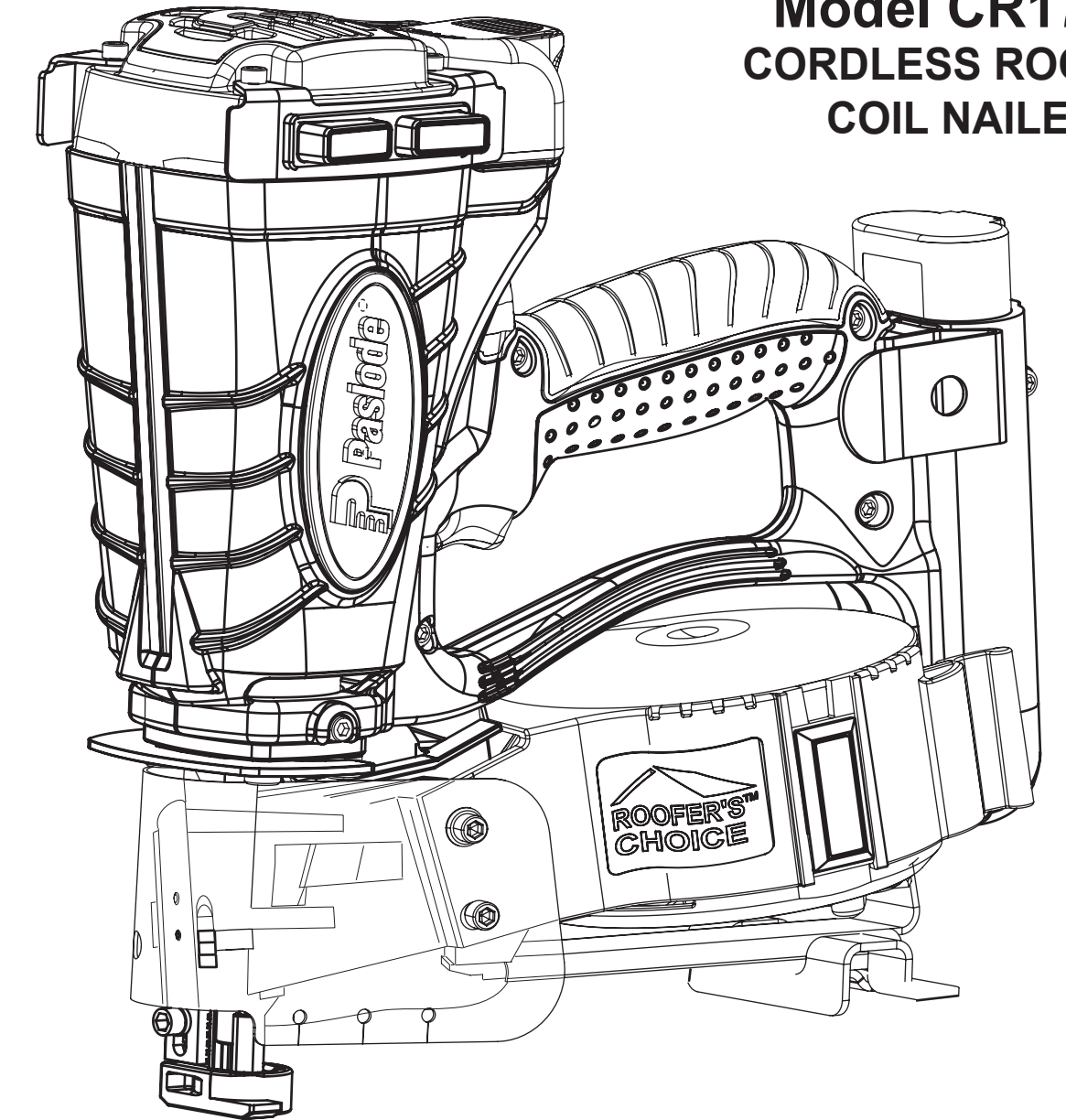
Tool Safety Tether

Part No. 904548



Part No. 904500

**Model CR175C
CORDLESS ROOFING
COIL NAILER**



**IMPORTANT!
DO NOT DESTROY**

Always refer to operating manual #904589 for detailed information on this tool. It is the customer's responsibility to have all operators and service personnel read and understand this information.

TOOL SCHEMATIC AND PARTS




An Illinois Tool Works Company
888 Forest Edge Drive
Vernon Hills, Illinois 60061


PARTS LEGEND **Cordless Roofing Coil Nailer, 904500**

1	904555	1	Grille	48	904539	1	Wear Guard-Lower
*2	900648	1	Filter	49	904576	4	Screw 1/4-20 x 5/8" SHC
3	900747	4	Screw SHC 8-32 x 1-3/8"	*50	402031	1	O-Ring, Feeder Body
4	904557	2	Screw, SHC	51	904535	1	Claw/Feeder
5	904528	2	Wear Guard-Upper	*52	402486	1	Washer/Retainer
6	904529	2	Wear Pad-Upper	53	402488	1	Pin/Pivot-Feedclaw
7	900695	4	Bushing-Cap	54	402041	1	Spring/Torsion Coil
8	904551	1	Cap, Cylinder Head	55	404012	1	Claw/Holdback
9	901119	1	Retaining Ring, Motor	56	097748	1	Spring- Backup Pawl
10	901112	1	Motor Assembly.	57	404361	1	Roll Pin
11	401356	1	Motor Sleeve	58	904533	1	Piston-Feed Claw
12	900785	1	Insulator	*59	904525	1	O-Ring/Feed Claw Piston
13	900714	1	Spark Plug Assembly	60	904524	1	Feed Piston Spring
14	900596	1	SEMS Screw-Torx	61	904563	1	Terminated Magnet Assembly
15	900739	1	Circuit Board	62	904540	1	Bumper/Claw Piston
16	904517	1	Fuel Barb	63	904534	1	Magnet Cover
17	904546	1	Fuel Tube	64	901044	1	Soft Grip
18	904545	1	Fuel Block	65	904510	1	Spark Unit
19	904521	1	Pivot Arm	66	900662	1	Wire Harness
20	904504	1	Cylinder Head	67	900620	1	Front Channel
21	900612	4	Seal Ring	68	904552	2	Label/Logo
22	900709	1	Fan Assembly	69	904507	1	Handle/Right
23	900700	1	Air Dam	70	004618	2	Screw-Insert-Belt Hook
24	904570	1	Combustion Chamber	71	904558	1	Connector Bracket
25	900592	7	Screw 10-32 x 1/2" WCE	72	904511	1	Molded Circuit Assembly
26	402629	2	Washer-Hardened	73	900726	1	Slide Switch Assembly
27	404002	3	Gromet/Shield	74	901082	1	Trigger Assembly
28	006057	2	Washer, WCE to Link	75	904532	1	Wire Clip
29	904526	1	Link-WCE Adjustment	76	902230	1	Pin-Fuel Door
30	904506	1	Work Contact Element, WCE	77	904550	1	Fuel Door
31	405140	6	Screw-Torx	78	904544	1	Dosing Lever
32	904509	1	Upper Yoke	79	904567	1	Spark Plug Wire Assembly
33	900707	2	Bumper/Yoke	80	904562	1	Fan Motor Harness
34	904594	1	Spring	81	902235	1	Clip-Fuel Door
35	403099	1	Ring,Retaining	82	904571	2	Pad- Battery
36	403098	1	Ring/Piston	83	903003	1	Battery Contact/Right/Pos.
37	904530	1	Piston/ Driver Blade Assembly	84	904527	1	Battery Interface Block
38	900680	1	Bumper	85	903004	1	Battery Contact/Left/Neg.
39	901503	1	Cylinder Sleeve	86	904572	2	Pad/Terminal
*40	900616	1	O-Ring, exhaust	87	404702	6	Screw/ #6 -19 x 3/8"
41	901089	1	Disk Filter	88	904561	1	Wire Harness
42	900665	1	Reed Plate	89	901066	6	Screw/ #8-16 x 3/4"
43	900664	1	Reed Valve	90	900792	2	Shoulder Screw
44	900668	1	Cover, Muffler	91	904508	1	Handle/ Left
45	900609	1	Muffler	92	904541	1	Belt Hook
*46	904523	1	O-Ring, Nose	93	900508	1	Label, Warning
*47	904501	1	Nose				

- * Denotes Normal Wear Items
- ** Make sure Warning Label (900496) is properly affixed and replace if necessary. Label is available at no charge through the Service Department.
- Apply grease to threads.
- ▲ Apply Loctite 277 (red)
- Denotes New Change

SAFETY INSTRUCTIONS
WEAR EYE AND HEARING PROTECTION

 Always wear hearing protection and eye protection devices, including side shields when operating or working in the vicinity of a tool.



WARNING

All parts must be periodically inspected and replaced if worn or broken. Failure to do this can affect the tool's operation and present a safety hazard.

