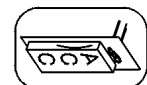
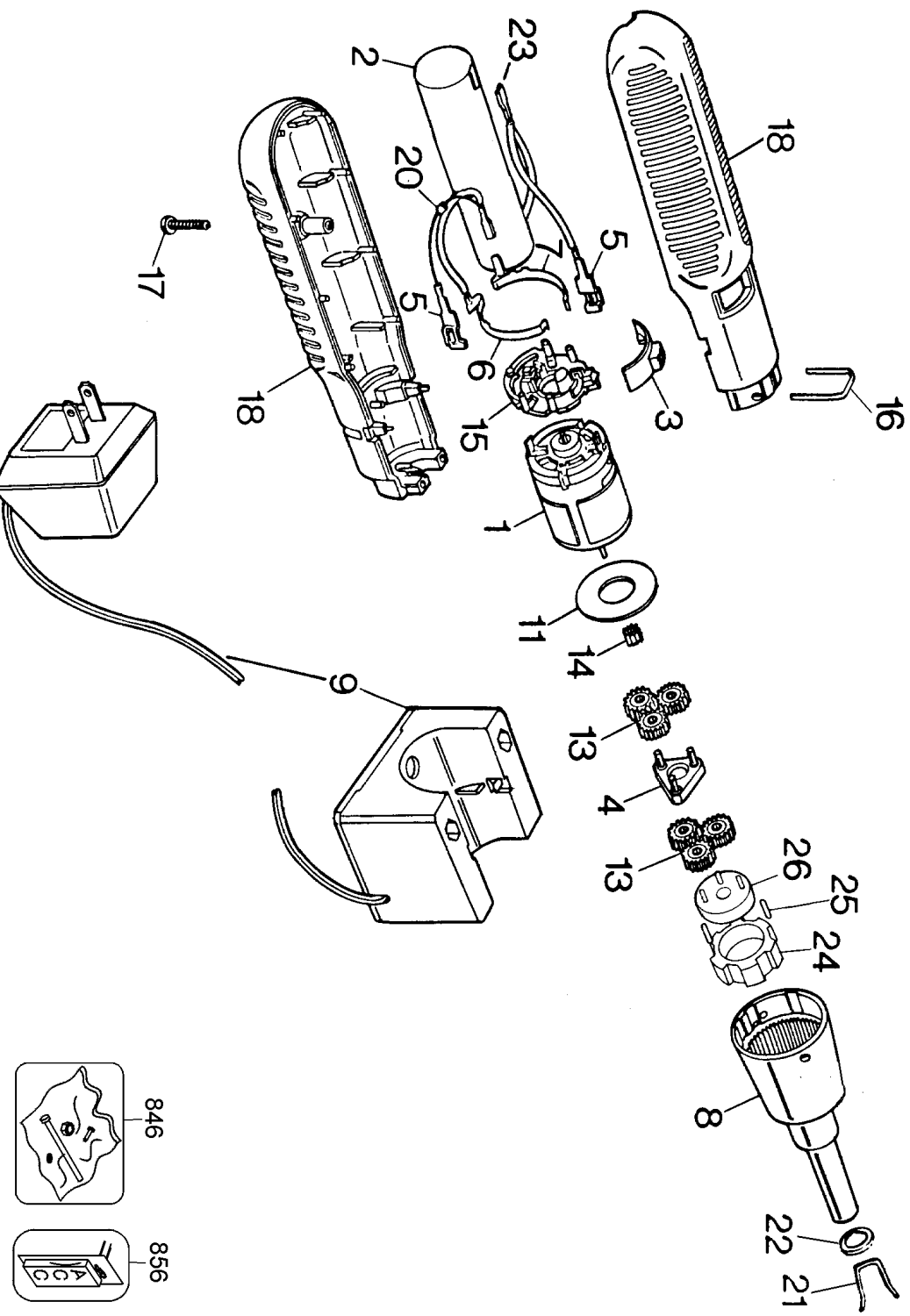


846



856



Parts List for 9072 Type 2

| Item Number | Part Number | Description | Qty Required |
|-------------|-------------|---------------------|--------------|
| 1 | 000000-00 | No Longer Available | 1 |
| 2 | 000000-00 | No Longer Available | 1 |
| 3 | 146892-00 | BUTTON,SWITCH | 1 |
| 4 | 150155-00 | CARRIER,INTERM. | 1 |
| 5 | 143155-00 | CONTACT,CHRGN. | 2 |
| 6 | 000000-00 | No Longer Available | 1 |
| 7 | 000000-00 | No Longer Available | 1 |
| 8 | 000000-00 | No Longer Available | 1 |
| 9 | 000000-00 | No Longer Available | 1 |
| 11 | 000000-00 | No Longer Available | 1 |
| 13 | 150160-00 | GEAR | 6 |
| 14 | 143139-00 | PINION,MOTOR | 1 |
| 15 | 000000-00 | No Longer Available | 1 |
| 16 | 148347-00 | CLIP | 1 |
| 17 | 798659-00 | SCREW | 1 |
| 18 | 157990-14 | HOUSING SET | 1 |
| 20 | 91480-00 | DIODE | 1 |
| 21 | 000000-00 | No Longer Available | 1 |
| 22 | 000000-00 | No Longer Available | 1 |
| 23 | 51350-08 | TERMINAL | 2 |
| 24 | 000000-00 | No Longer Available | 1 |
| 25 | 91286-00 | PIN | 6 |
| 26 | 147139-00 | CARRIER,OUTPUT | 1 |
| 846 | 133385-12 | HARDWARE BAG | 1 |
| 856 | 607918-41 | SCREWDRIVER BIT | 1 |