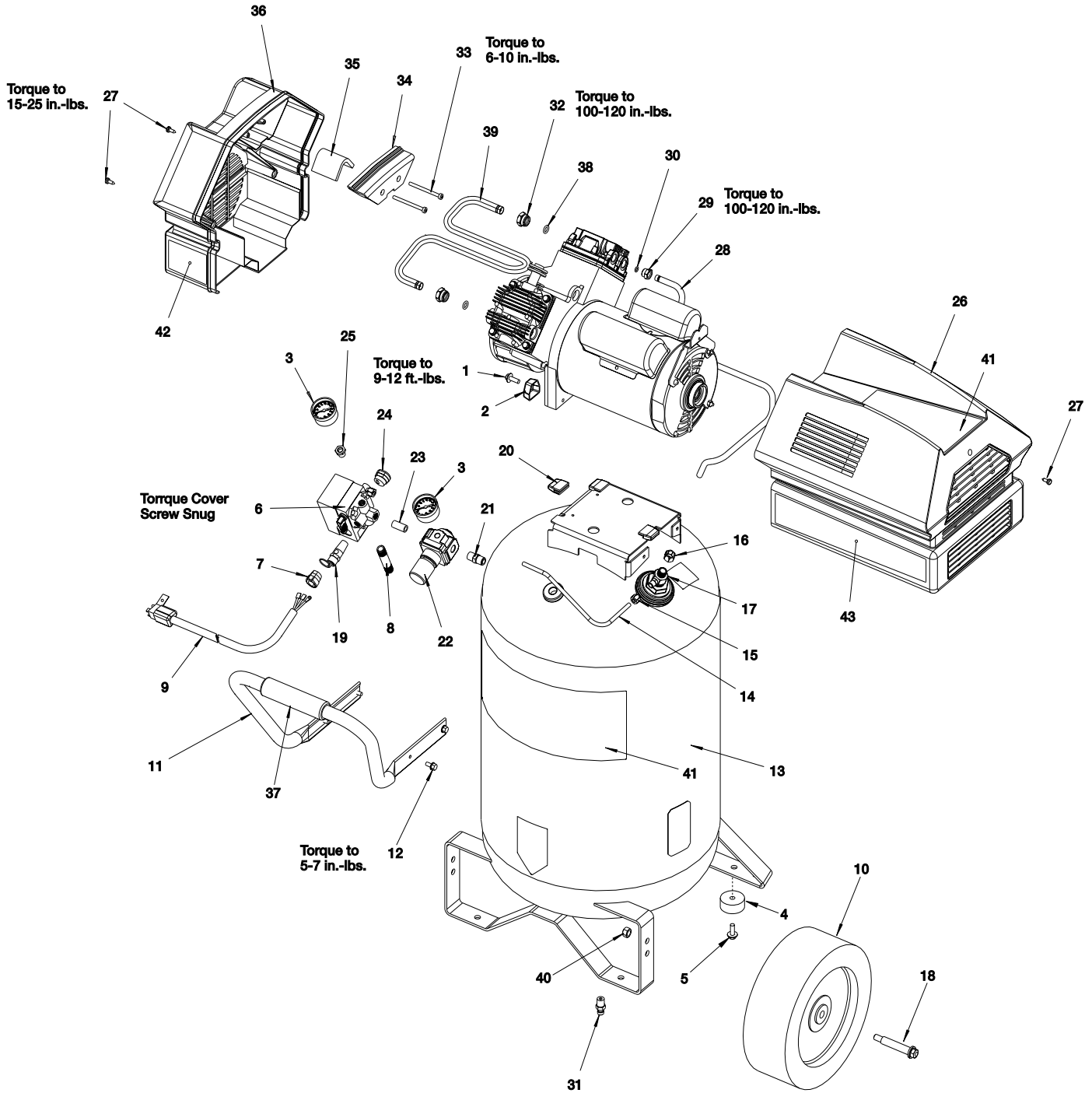
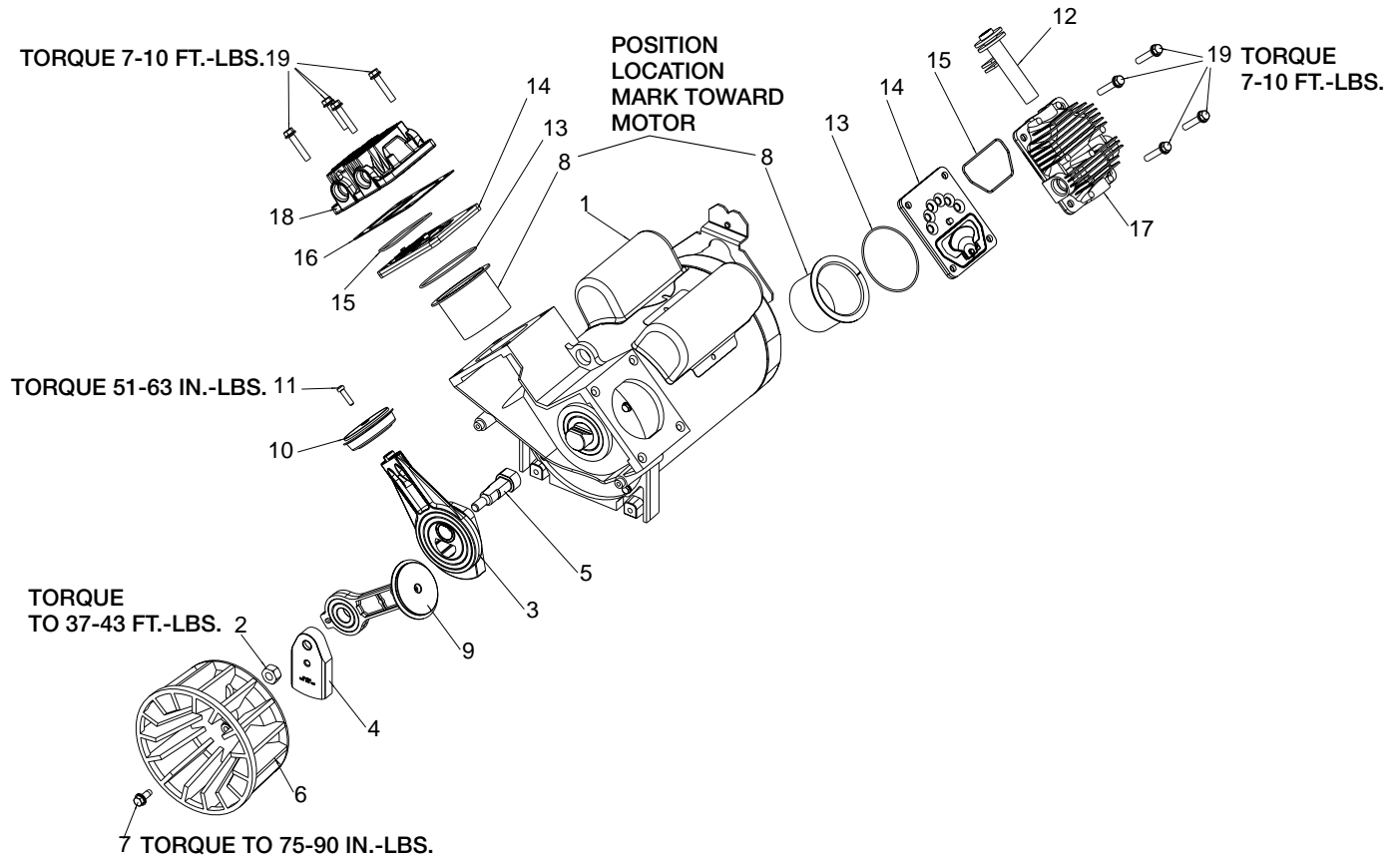


AIR COMPRESSOR DIAGRAM



COMPRESSOR PUMP DIAGRAM



PARTS LIST

Key	Part Number	Description
No.		
1	SSF-990	Screw 1/4-20UNC-2A THD (2 used)
2	ACG-18	Cup Saddle Mount (2 used)
3	GA-373	Gauge Back Mount 300 PSIG (2 used)
4	SST-107	Rubber Bumper
5	SSF-630	Screw 25 x 1.50 (2 used)
6	AC-0789	Pressure Switch
7	SSW-7385	Bushing Strain Relief
8	SSP-480	Nipple 1/4-18 NPT x 2.50
9	SUDL-413-2	Power Cord Assembly
10	AC-0014	Wheel 9"
11	AC-0609	Handle
12	SSF-981	Screw Hex HD Self Tapping (4used)
13	TA-4494	Tank 20G Vertical
14	D20584	Pressure Relief Tube
15	SSP-7811	Nut Sleeve Assembly 1/4"
16	SSP-7813	Nut Sleeve Assembly 3/8"
17	AC-0631	Check Valve 7/8 HEX x 1/4
18	CAC-60	Shoulder Bolt 3/8 - 16
19	TIA-4200	Safety Valve
20	AC-0774	Isolator (3 used)
21	H-2099	Adaptor 1/4NPT x 1/4 NPSM
22	AC-0790	Regulator
23	SS-1286	Nipple Close 1/4-18 NPT
24	SSW-7367	Bushing Strain Relief
25	SSP-6021	Busning Reducer 1/8-1/4 NP
26	ACG-61-2	Shroud, Rear
27	ACG-408	Fastener Assembly (3 used)
28	AC-0803	Outlet Tube
29	SSP-7821-1	Nut Tubing 3/8"OD TUB
30	SSG-3105	O-Ring
31	AC-0430	Drain Valve
32	AC-0780	Nut Tubing 1/2"OD TUB (2 used)
33	SSF-554	Screw 10-14 x 2.5 (2 used)
34	AC-0783	Intake Muffler Cover
35	ACG-12	Element Intake Filter
36	ACG-14	Shroud, Front
37	AC-0558	Grip .875 DIA
38	AC-0781	O-Ring .362ID x .103 width (2 used)
39	AC-0802	Interconnecting Tube
40	SSF-8080-ZN	Hex Nut 3/8 - 16
41	LA-3105	Label, Craftsman
42	D20097	Label, Performance
43	D20096	Label, Billboard

PARTS LIST

Key

<u>Key No.</u>	<u>Part Number</u>	<u>Description</u>
1	MO-9089	Motor
2	AC-0797	Nut, Eccentric Pin
✓ 3	AC-0800	Eccentric Rod Bearing
4	AC-0793	Eccentric Outer
5	AC-0794	Eccentric Pin
6	ACG-22	Fan
7	39124607	Screw Self Tap 1/4 x 5/8
•x 8	AC-0788	Cylinder Sleeve
• 9	----	Connecting Rod Assembly
x 10	AC-0810	Piston Assembly
✓x 11	D20605	Screw 10-24 x .75 T25 TORX
12	ACG-11	Intake Muffler
•✓x 13	SSG-8156	O-Ring
14	AC-0032	Valve Plate Assembly
•✓x 15	ACG-45	O-Ring
x✓ 16	AC-0779	Head Gasket
17	AC-0805	Head - Low Pressure
18	AC-0784	Head - High Pressure
19	AC-0798	Screw 1/4-20 x 1.25 HHW THD

NOT ILLUSTRATED

D20012	Parts Manual
D20451	Owner's Manual
919-16433	Replacement Filter

- Key No's 8, 9, 13, & 15 can be purchased as K-0651 Connecting Rod Kit.
- ✓ Key No's 3, 11, 13, 15 & 16 can be purchased as K-0649 Connecting Rod Kit-High Pressure.
- x Key No's 8, 10, 11, 13, 15, & 16 can be purchased as K-0648 Compression Ring HP Replacement Kit.