

101 ORIENT WITH VENTS DOWNWARD AS SHOWN

102

103
TORQUE
204-264 IN-LBS

105 TORQUE UNTIL THREADS RUN OUT

109

110
112 TORQUE 60-70 IN-LBS

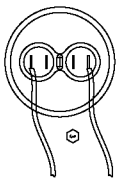
113

116
117 TORQUE 30-40 IN-LBS

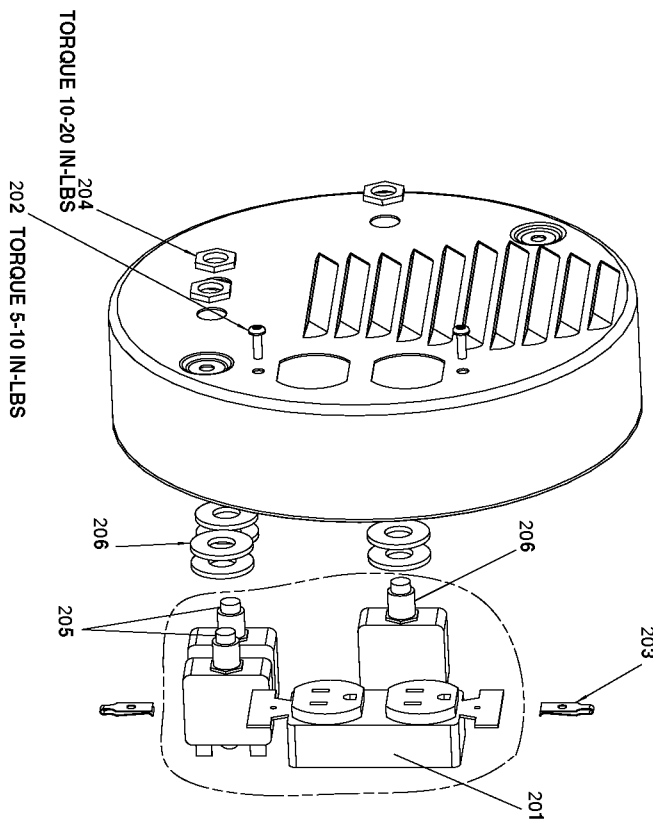
104
106
107
108 TORQUE 120-144 IN-LBS

SHOWN FOR
REFERENCE ONLY

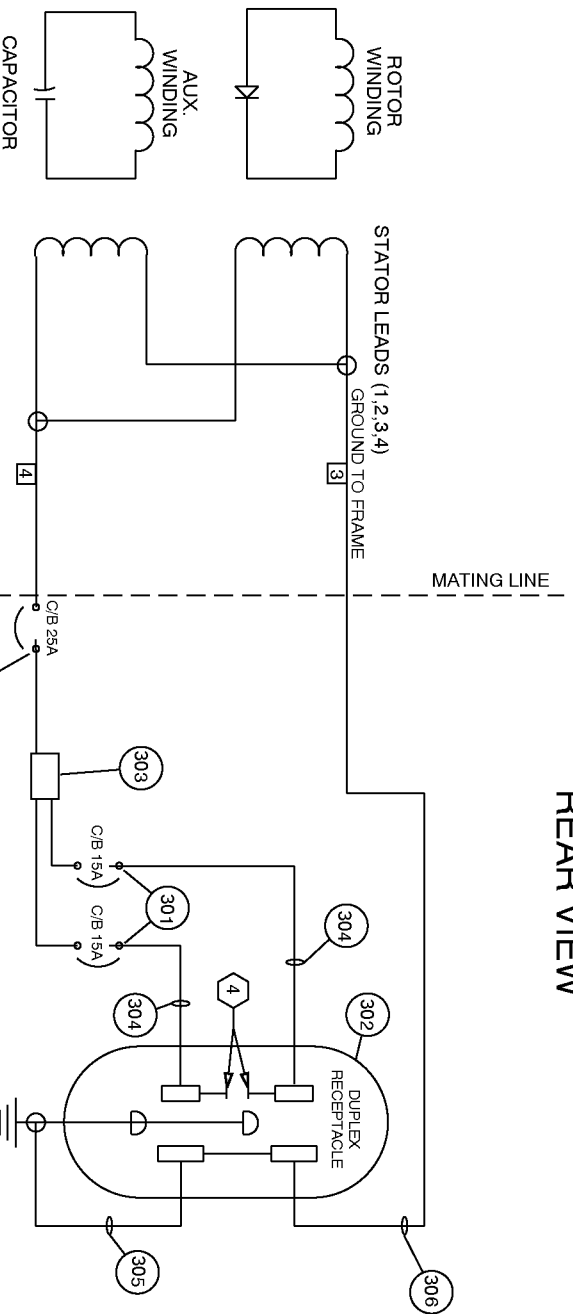
121 INSERT INTO O-RING
GROOVE, PART OF 10



SCALE 1:1
CAPACITOR WIRING



ENDCOVER REAR VIEW



Parts List for 919-67003 Type 0

Item Number	Part Number	Description	Qty Required
1	000000-00	No Longer Available	1
4	GS-0117	LUG GROUND	1
5	GS-0118	STRAP GROUND	1
13	D20609	LABEL TRILINGUAL WAR	1
14	SSF-8150	NUT .312-18 UNC HEX	1
15	SSF-928	SCREW .313-18X.875 H	1
16	SS-12-CD	SCREW .313-18X.750 H	1
17	5140123-06	SCREW	1
18	SSF-553-1	SCREW #10-24X.563 TH	1
19	N017772	LOCK WASHER	1
20	000000-00	No Longer Available	1
22	SSN-632	WASHER .875 OD .375	1
26	GS-0443	CAP FUEL TANK	1
27	Z-A14582	HOSE FUEL	1
28	GS-0227	CLAMP FUEL .50	1
29	91895680	SCREW .250-20X.750 H	1
30	N103455	GROMMET	1
34	39124607	SCREW .250-20X.625 H	1
35	000000-00	No Longer Available	1
36	000000-00	No Longer Available	1
37	330016-13	WASHER	1
101	Z-D26576	ASSY GEN SERVICE 2.7	1
102	5130235-00	LOCK WASHER	1
103	SSF-616-ZN	SCREW .313-24X1.00 H	1
104	Z-D26576	ASSY GEN SERVICE 2.7	1
104	D27092	KIT SERVICE FOCUS MO	1
105	000000-00	No Longer Available	1

Parts List for 919-67003 Type 0

Item Number	Part Number	Description	Qty Required
106	Z-D26576	ASSY GEN SERVICE 2.7	1
106	D27092	KIT SERVICE FOCUS MO	1
107	330016-13	WASHER	1
108	SSF-576	NUT .313-24 HEX W/KE	1
110	000000-00	No Longer Available	1
112	SSF-575	NUT .250-20 HEX W/KE	1
113	GS-0592	CAPACITOR 35uF 3% 37	1
116	GS-0595	BRACKET CAPACITOR 2.	1
117	SSF-553-1	SCREW #10-24X.563 TH	1
121	GS-0862	O-RING ROTOR BEARING	1
202	SSF-583	SCREW #6-32X.500 PAN	1
203	SSF-584	NUT #6-32 SPEED SELF	1
204	SSF-595	NUT .438-28 UNEF HEX	1
205	Z-GS-0024	BREAKER CIRCUIT 125/	1
206	Z-D20573	BREAKER CIRCUIT 125/	1
301	Z-GS-0024	BREAKER CIRCUIT 125/	1
304	000000-00	No Longer Available	1
305	000000-00	No Longer Available	1
306	000000-00	No Longer Available	1
307	Z-D20573	BREAKER CIRCUIT 125/	1
856	GS-0082	DIODE DSA	1