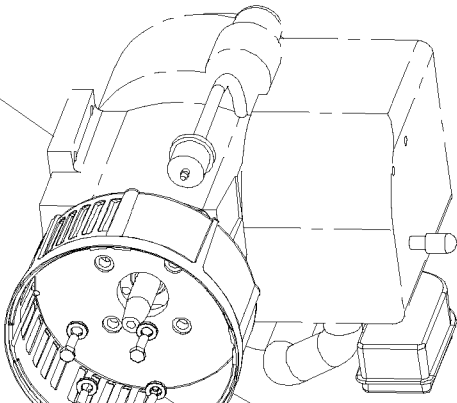


SHOWN FOR REFERENCE ONLY



29

31

33

32

30

34

35

36

37

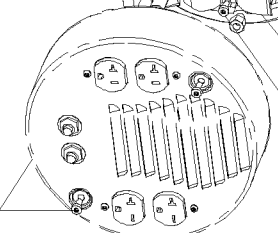
38

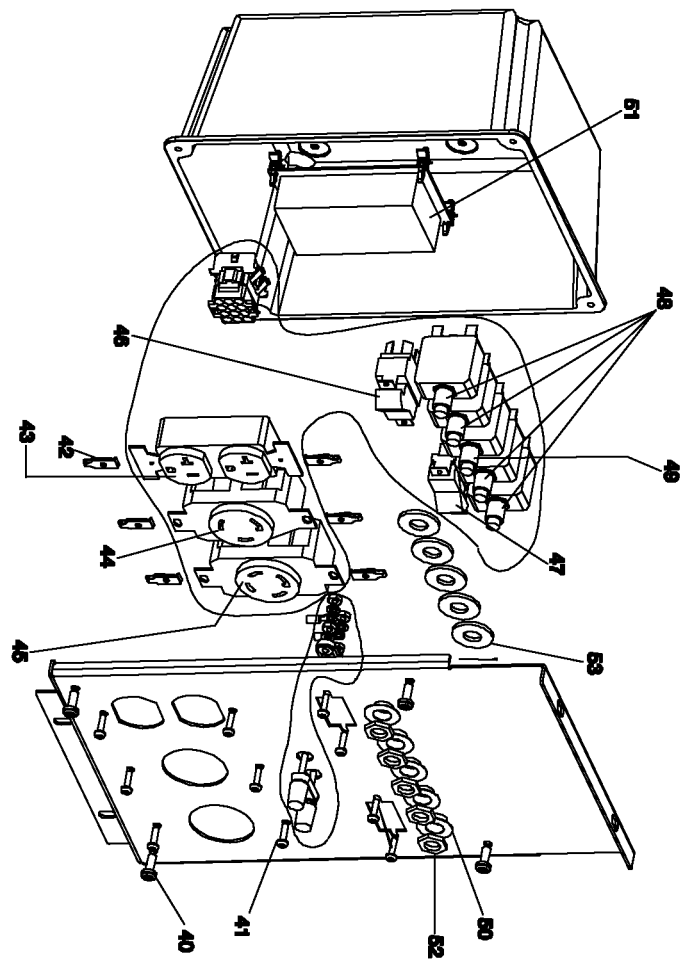
39

124

25

SHOWN FOR REFERENCE ONLY





Parts List for 919-67937 Type 0

Item Number	Part Number	Description	Qty Required
2	91895680	SCREW .250-20X.750 H	1
3	GS-0227	CLAMP FUEL .50	1
4	5140123-06	SCREW	1
5	330016-13	WASHER	1
6	SSF-8150	NUT .312-18 UNC HEX	1
7	N017772	LOCK WASHER	1
8	GS-0118	STRAP GROUND	1
12	SSN-632	WASHER .875 OD .375	1
13	GS-0443	CAP FUEL TANK	1
14	Z-A14582	HOSE FUEL	1
15	N103455	GROMMET	1
18	GS-0117	LUG GROUND	1
19	SSF-928	SCREW .313-18X.875 H	1
20	GS-0033	ISOLATOR VIBRATION 1	1
21	GS-0433	ISOLATOR	1
22	SSF-553-1	SCREW #10-24X.563 TH	1
23	GS-0437	DRAIN COCK	1
24	GS-0077	COVER END BLANK	1
25	SSF-3158-1	SCREW #10-24X.750 TH	1
26	000000-00	No Longer Available	1
27	SSN-619	WASHER .375 SPRING L	1
28	5140125-93	SCREW	1
29	Z-D26576	ASSY GEN SERVICE 2.7	1
29	D27092	KIT SERVICE FOCUS MO	1
30	GS-0110	BOLT STATOR THRU 130	1
31	Z-D26576	ASSY GEN SERVICE 2.7	1
32	330016-13	WASHER	1

Parts List for 919-67937 Type 0

Item Number	Part Number	Description	Qty Required
33	SSF-576	NUT .313-24 HEX W/KE	1
34	GS-0091-1	BOLT ROTOR THRU 130L	1
36	SSF-575	NUT .250-20 HEX W/KE	1
37	GS-0748	CAPACITOR 40UF 370V	1
38	GS-0595	BRACKET CAPACITOR 2.	1
39	SSF-553-1	SCREW #10-24X.563 TH	1
40	SSF-3156	SCREW #10-9X.500 THD	1
41	SSF-583	SCREW #6-32X.500 PAN	1
42	SSF-584	NUT #6-32 SPEED SELF	1
44	GS-0021	RECEPTACLE 125V 30A	1
45	GS-0445	RECEPTACLE 4 PRONG T	1
46	GS-0045	SWITCH FULL POWER	1
47	GS-0679	SWITCH IDLE CONTROL	1
48	Z-GS-0024	BREAKER CIRCUIT 125/	1
49	GS-0681	BREAKER CIRCUIT	1
50	000000-00	No Longer Available	1
51	N080007	BOARD ASSY	1
52	SSF-595	NUT .438-28 UNEF HEX	1
53	SS-1525-CD	WASHER WRT 3/8	1
124	GS-0767	RECTIFIER	1
856	GS-0835	ASSY RESISTOR DC SHU	1
856	GS-0082	DIODE DSA	1