



Illustrated Parts List

Model Series

92200

TYPE NUMBERS
0007 through 1250.

TABLE OF CONTENTS

Air Cleaner	7
Blower Housing/Shrouds	9
Camshaft	2
Carburetor	5
Carburetor Overhaul Kit	5
Controls	6
Crankcase Cover/Sump	3
Crankshaft	2
Cylinder	2
Cylinder Head	2
Engine/Valve Gasket Sets	2
Flywheel	8
Fuel Supply	5
Gear Reduction	4
Governor Spring	6
Ignition	6
Muffler	7
Piston/Rings/Connecting Rod	2
Rewind Starter	8
Rewind Starter/Blower Housing	9

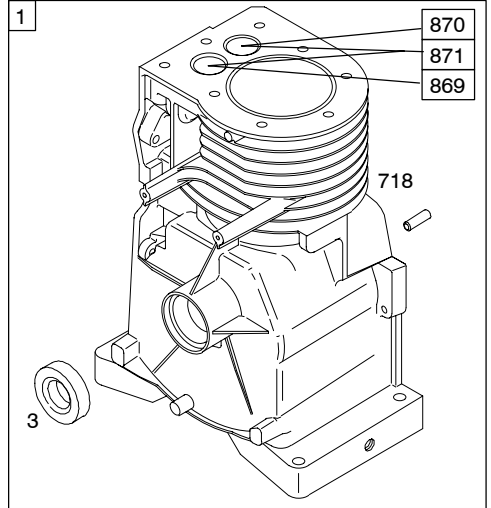
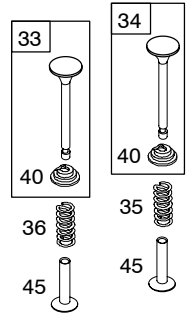
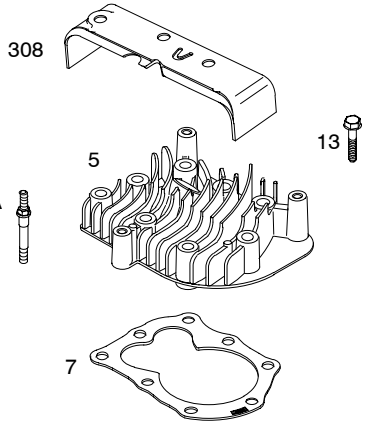
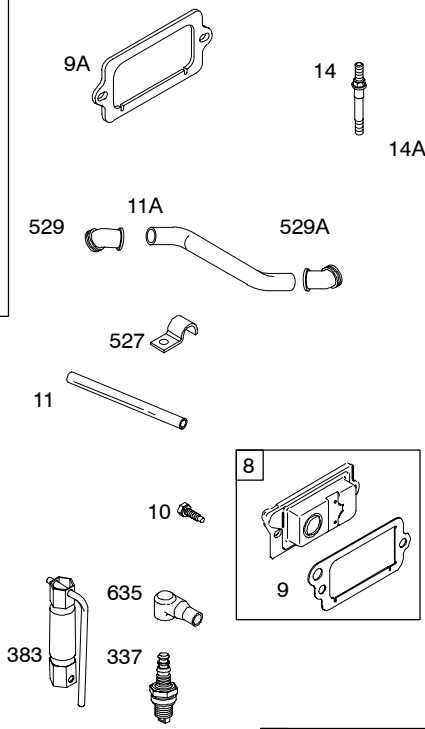
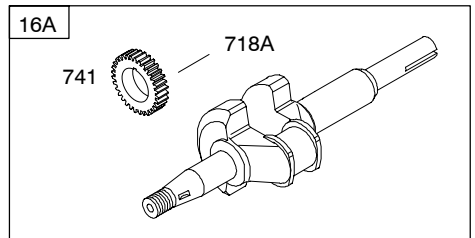
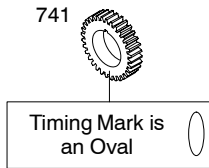
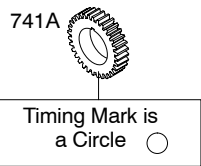
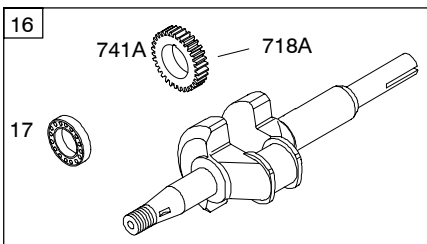
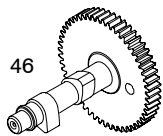
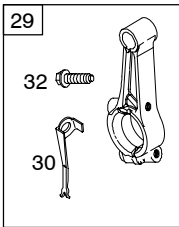
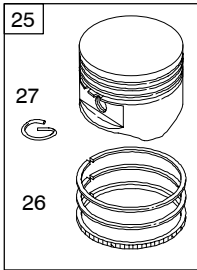
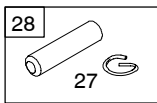
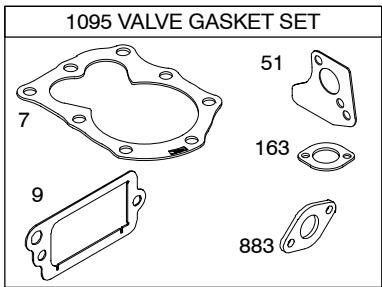
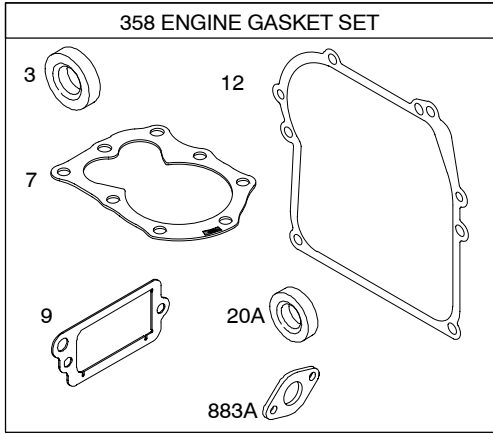


PRINTED IN U.S.A.

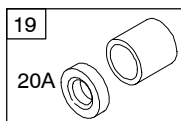
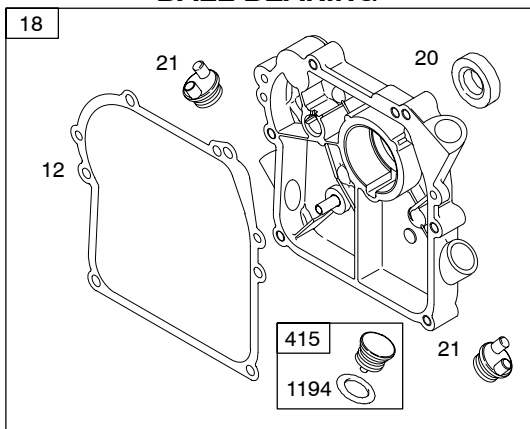
COPYRIGHT by BRIGGS & STRATTON CORPORATION
All rights reserved. No part of this material may be reproduced or transmitted, in any form or by any means, electronic or mechanical, including photocopying, recording or by any information storage and retrieval system, without permission in writing from Briggs & Stratton Corporation.

1330 REPAIR MANUAL

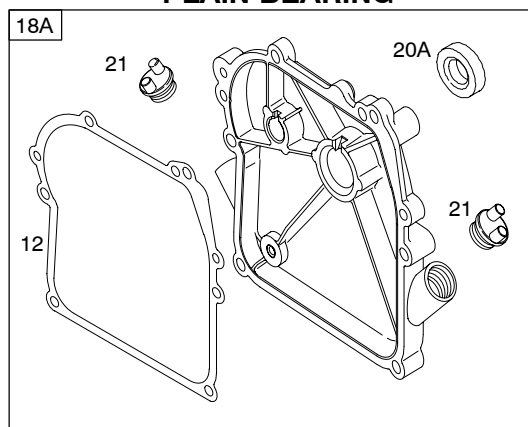
1058 OPERATOR'S MANUAL



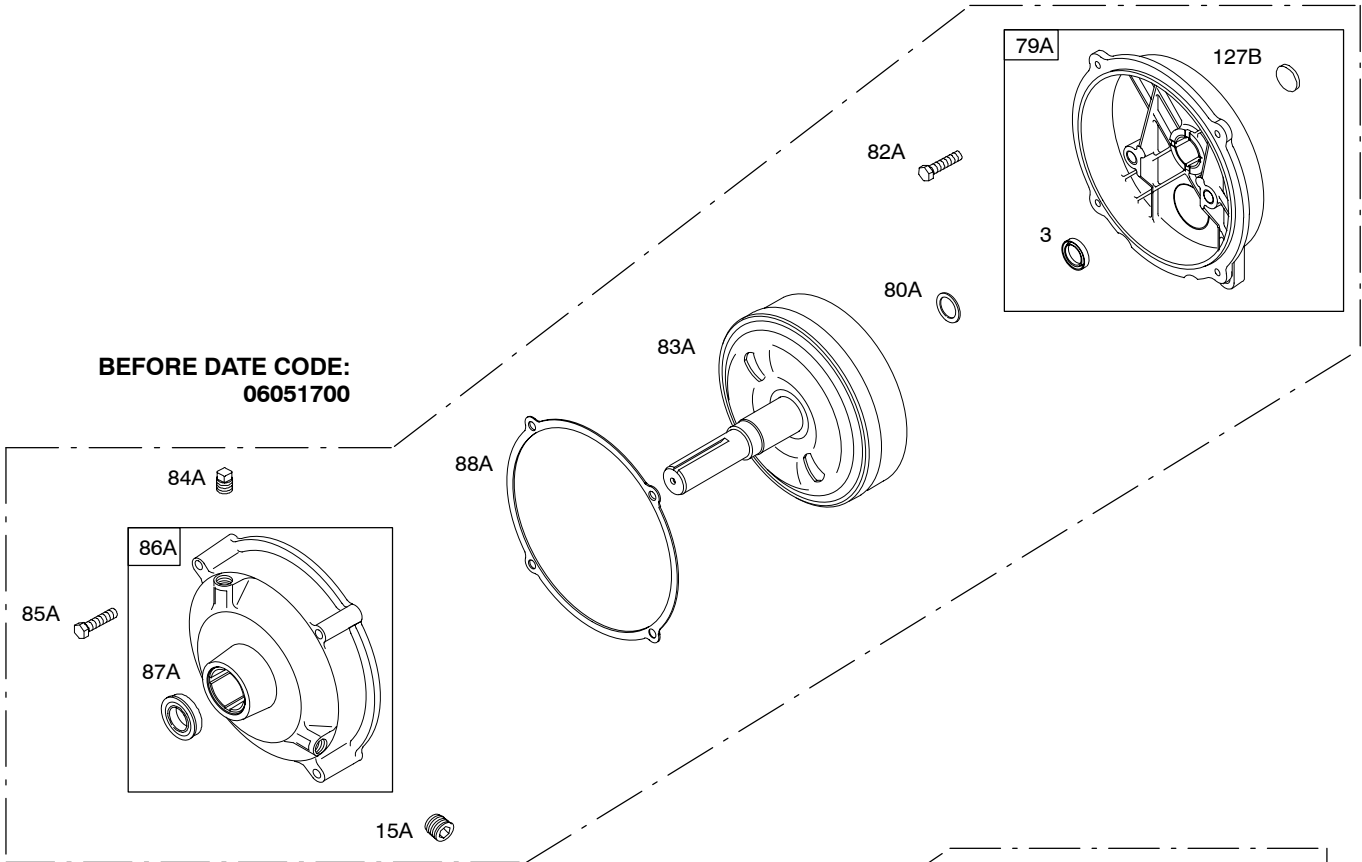
BALL BEARING



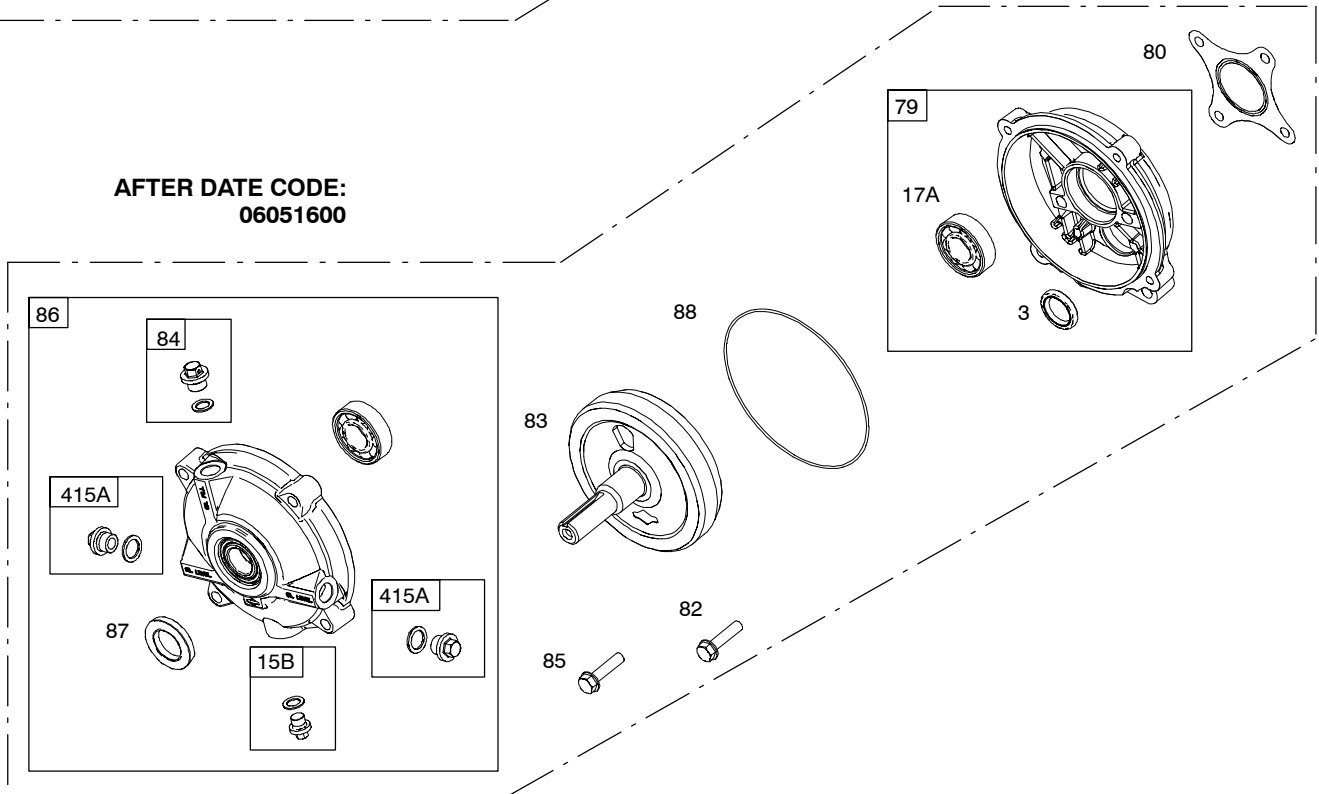
PLAIN BEARING

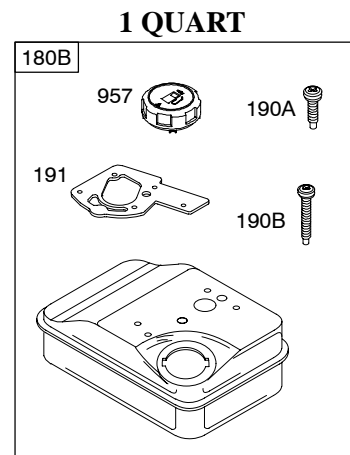
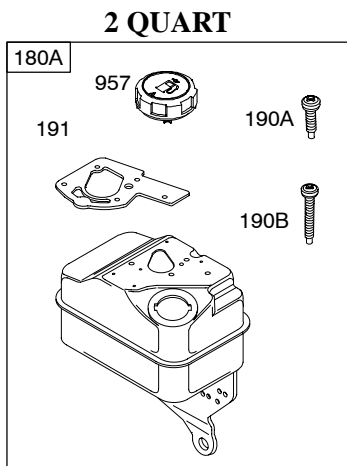
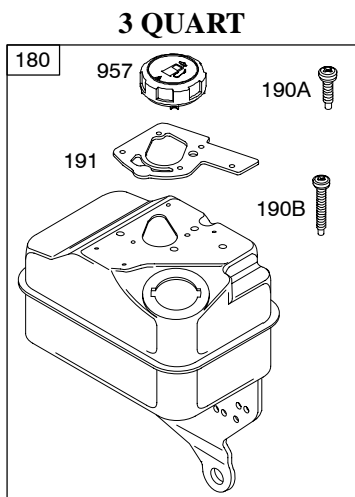


**BEFORE DATE CODE:
06051700**



**AFTER DATE CODE:
06051600**

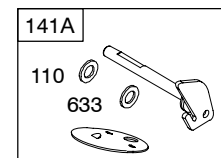
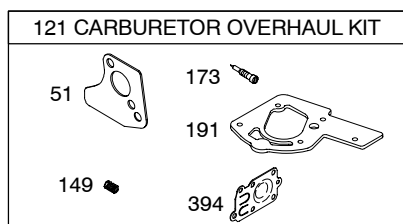
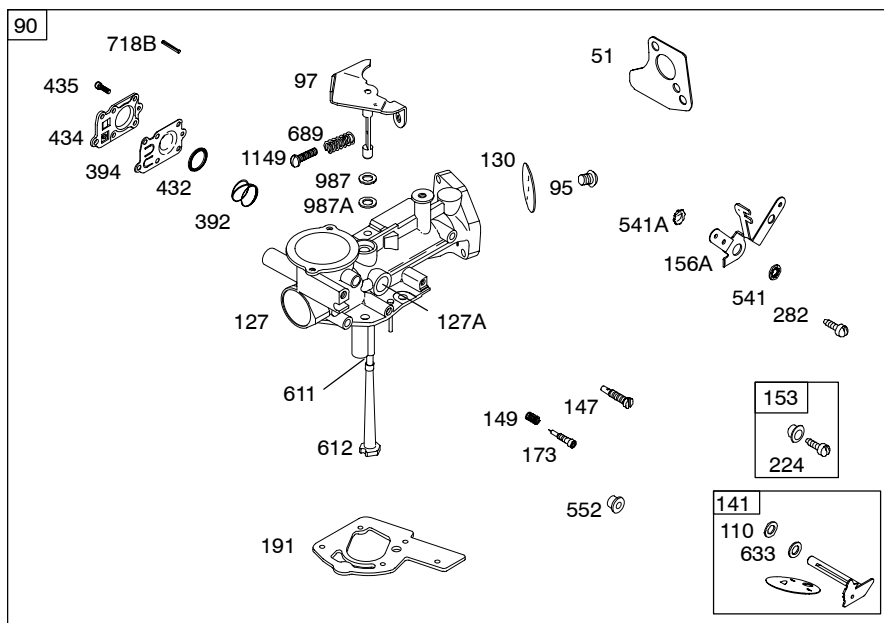


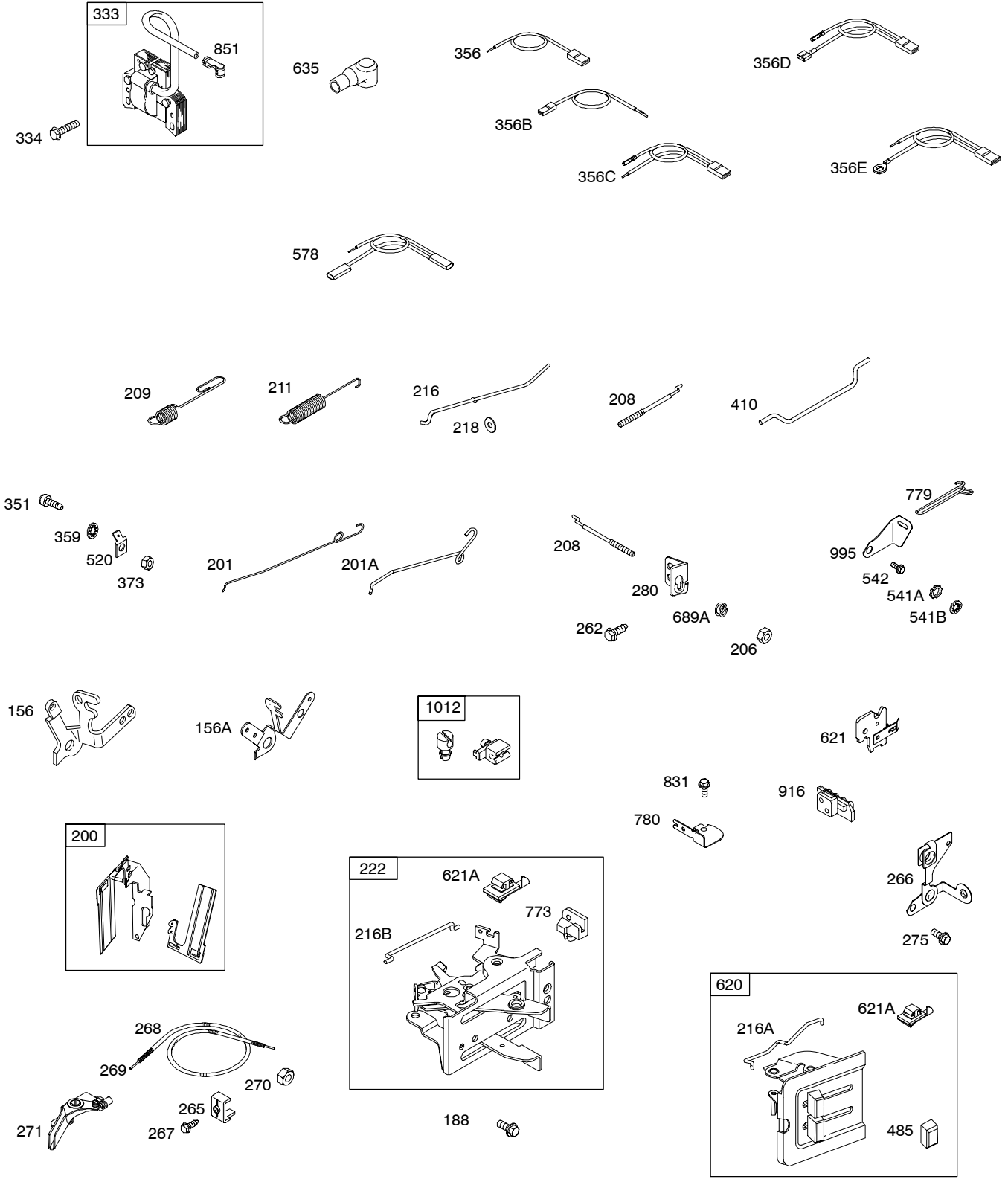


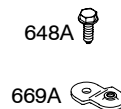
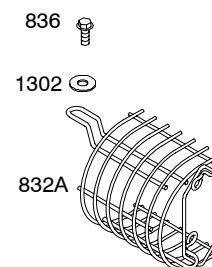
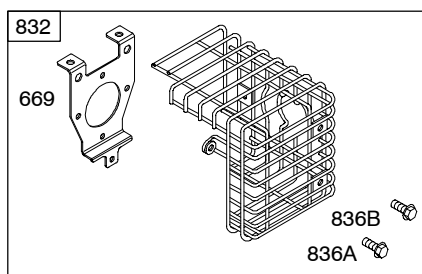
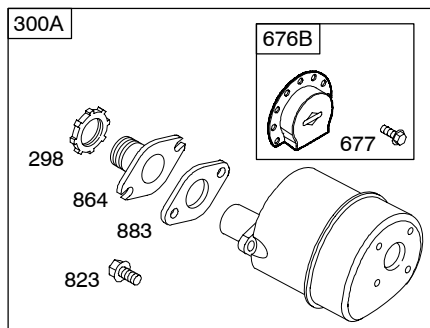
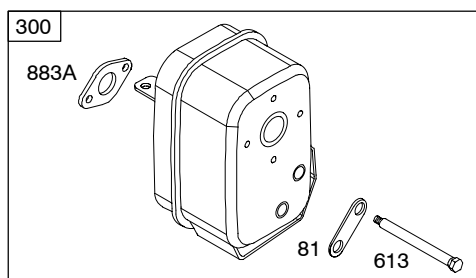
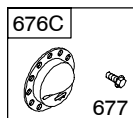
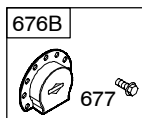
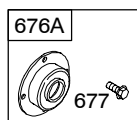
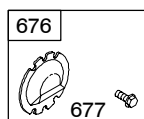
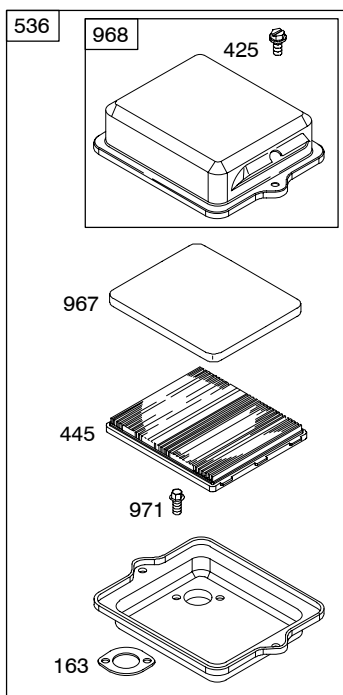
Carburetor Mounting Surface
Pickup Tube
D

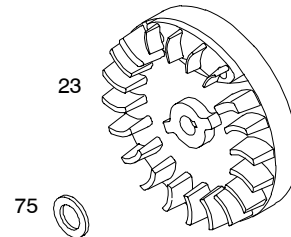
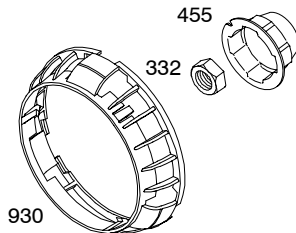
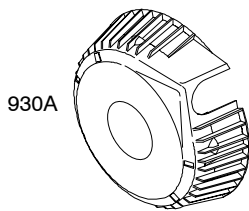
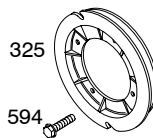
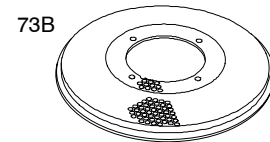
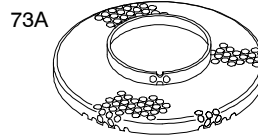
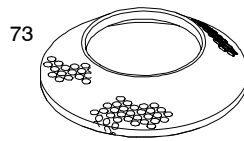
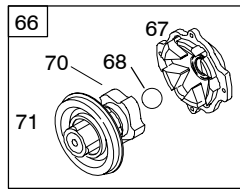
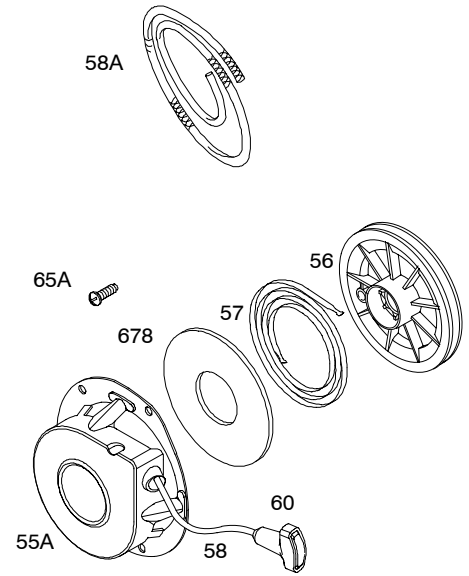
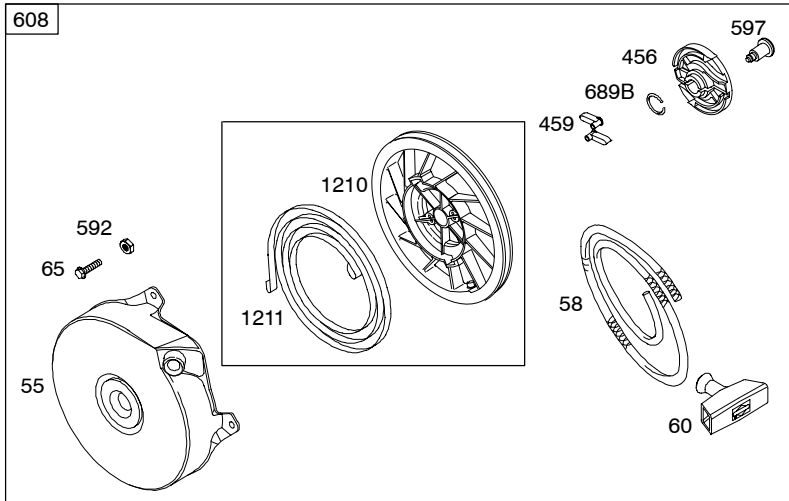
To replace carburetor assembly, determine fuel tank capacity as shown.

Fuel Tank Capacity (Quarts)	1	2	3
D (Inches)	2-5/16"	4-1/4"	4-7/8"

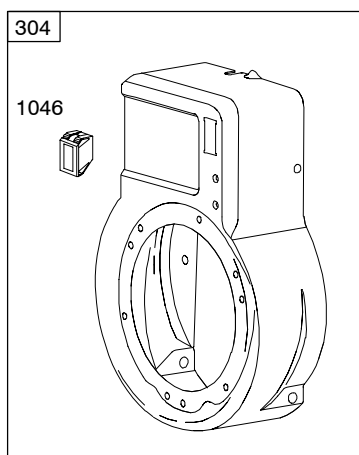
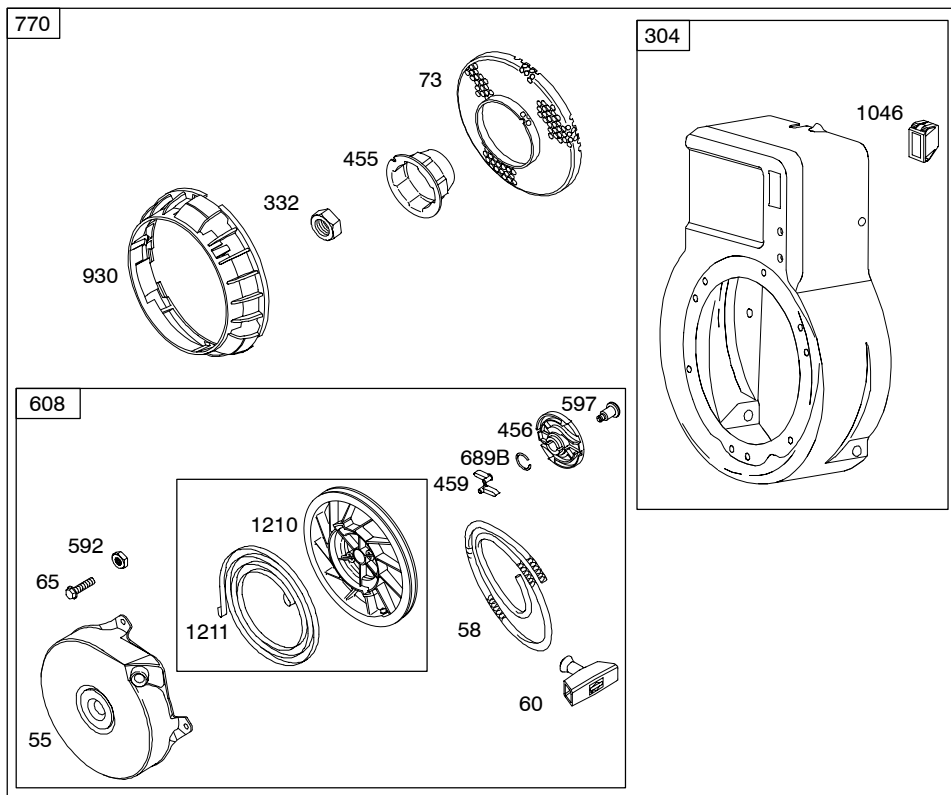








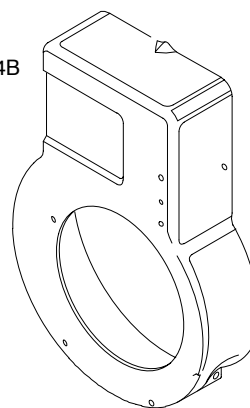
1036 EMISSIONS LABEL



347

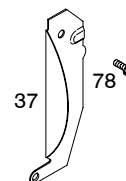


304B



37

78



305



92200

REF. NO.	PART NO.	DESCRIPTION	REF. NO.	PART NO.	DESCRIPTION	REF. NO.	PART NO.	DESCRIPTION
1	695162	Cylinder Assembly (Used After Code Date 99103100). ----- Note ----- 497333 Cylinder Assembly (Used Before Code Date 99110100).	16	497232	Crankshaft Used on Type No(s). 0040, 0100, 0118, 0133, 0138, 0142. ----- Note ----- 791421 Crankshaft (Used Before Code Date 05110900). Used on Type No(s). 1007, 1035, 1230, 1241, 1243, 1244, 1245, 1247, 1249. 791418 Crankshaft (Used Before Code Date 05110900). Used on Type No(s). 1008, 1036, 1235. 791417 Crankshaft (Used Before Code Date 05110900). Used on Type No(s). 1040, 1200, 1218, 1238.			793159 Crankshaft (Used After Code Date 05110800). Used on Type No(s). 1008, 1036. 793160 Crankshaft (Used After Code Date 05110800). Used on Type No(s). 1035, 1241, 1243, 1244, 1245, 1247, 1249, 1250.
2	399269	Kit-Bushing/Seal (Magneto Side)				17	690824	Bearing-Ball
3	★299819S	Seal-Oil (Magneto Side)				17A	99158	Bearing-Ball (Gear Reduction Case) (Used After Code Date 06051600).
5	790169	Head-Cylinder				18	792232	Cover-Crankcase (Ball Bearing Cover) (Used After Code Date 05110800). ----- Note ----- 497502 Cover-Crankcase (Ball Bearing Cover) (Used Before Code Date 05110900).
7	★△698717	Gasket-Cylinder Head				18A	699406	Cover-Crankcase (Plain Bearing Cover) Used on Type No(s). 0142, 1242. ----- Note ----- 496679 Cover-Crankcase (Plain Bearing Cover) Used on Type No(s). 0049, 0127, 0129, 0133, 0137, 1049, 1227, 1229, 1237, 1246.
8	791779	Breather Assembly				19	399269	Kit-Bushing/Seal (PTO Side) (Plain Bearing Cover)
9	★△695890	Gasket-Breather (Used After Code Date 03031900).				20	692020	Seal-Oil (PTO Side) (Plain Bearing Cover)
9A	★△27549S	Gasket-Breather (Used Before Code Date 03032000).	16A	793152	Crankshaft Used on Type No(s). 1246. ----- Note ----- 493599 Crankshaft Used on Type No(s). 0049, 0127, 0129, 0137. 495210 Crankshaft Used on Type No(s). 0008, 0036, 0123, 0135, 0136. 793151 Crankshaft Used on Type No(s). 1242. 690821 Crankshaft Used on Type No(s). 0007, 0035, 0121, 0122, 0128, 0130, 0134, 0139, 0140, 0141. 791422 Crankshaft Used on Type No(s). 1049, 1227, 1229, 1237. 793157 Crankshaft (Used After Code Date 05110800). Used on Type No(s). 1040, 1200, 1218, 1238.			
10	691666	Screw (Breather Assembly)				20A	299819S	Seal-Oil (PTO Side) (Ball Bearing Covers)
11	231550	Tube-Breather Used on Type No(s). 1247, 1250.				21	281658S	Cap-Oil Fill
11A	692528	Tube-Breather						
12	★692218	Gasket-Crankcase (.015" Thick) (Standard) ----- Note ----- ★270895 Gasket-Crankcase (.005" Thick) ★270896 Gasket-Crankcase (.009" Thick)						
13	691640	Screw (Cylinder Head)						
14	690361	Stud (Cylinder Head) (1 15/16" Long)						
14A	691120	Stud (Cylinder Head) (1 7/32" Long)						
15	691686	Plug-Oil Drain						
15A	691682	Plug-Oil Drain						
15B	792750	Plug-Oil Drain (Gear Cover) (Used After Code Date 06051600).						

★ Engine Gasket Set-Reference 358
● Carburetor Overhaul Kit-Reference 121

△ Valve Gasket Set-Reference 1095

REF. NO.	PART NO.	DESCRIPTION	REF. NO.	PART NO.	DESCRIPTION	REF. NO.	PART NO.	DESCRIPTION
22	691129	Screw (Crankcase Cover/ Sump) ----- Note ----- 693732 Screw (Crankcase Cover/ Sump) (Used in Positions 1 and 6) Used on Type No(s). 1049, 1227, 1229, 1237, 1246. 691127 Screw (Crankcase Cover/ Sump) (Used in Position 6) Used on Type No(s). 0049, 0127, 0129, 0133, 0137.						
23	690843	Flywheel ----- Note ----- 692009 Flywheel Used on Type No(s). 0135, 1235. 699573 Flywheel Used on Type No(s). 0133, 0138, 0141, 0142, 1238, 1241, 1242. 791119 Flywheel Used on Type No(s). 1238, 1241, 1242, 1249.	26	790909	Ring Set (Standard) (Used After Code Date 05051800). ----- Note ----- 695169 Ring Set (Standard) (Used After Code Date 96012800 and Before Code Date 05051900). 498680 Ring Set (Standard) (Used After Code Date 96012800 and Before Code Date 99110100). 399067 Ring Set (Standard) (Used Before Code Date 96012900). ----- 695171 Ring Set (.010" Oversize) (Used After Code Date 99103100 and Before Code Date 05051900).			498683 Ring Set (.030" Oversize) (Used After Code Date 96012800 and Before Code Date 99110100). 399016 Ring Set (.030" Oversize) (Used Before Code Date 96012900). 27 691588 Lock-Piston Pin 28 699659 Pin-Piston (Standard) (Used After Code Date 05051800). ----- Note ----- 298909 Pin-Piston (Standard) (Used Before Code Date 05051900). 298908 Pin-Piston (.005" Oversize) (Used Before Code Date 05051900). 29 699655 Rod-Connecting 30 691719 Dipper-Connecting Rod 32 691664 Screw (Connecting Rod) 33 497871 Valve-Exhaust 34 296677 Valve-Intake 35 690520 Spring-Valve (Intake) 36 690520 Spring-Valve (Exhaust) 37 690463 Guard-Flywheel 40 692194 Retainer-Valve 45 691762 Tappet-Valve 46 691998 Camshaft 51•Δ273113S Gasket-Intake 55 692144 Housing-Rewind Starter 55A 393576 Housing-Rewind 56 280439S Pulley-Starter 57 490179 Spring-Rewind Starter 58 691921 Rope-Starter (70" Long) 58A 280406S Rope-Starter (82" Long) 60 691915 Grip-Starter Rope
24	222698S	Key-Flywheel						
25	790908	Piston Assembly (Standard) (Used After Code Date 96012800). ----- Note ----- 496869 Piston Assembly (Standard) (Used Before Code Date 96012900). ----- 298906 Piston Assembly (.020" Oversize) (Used Before Code Date 96012900).			695172 Ring Set (.020" Oversize) (Used After Code Date 99103100 and Before Code Date 05051900). 498682 Ring Set (.020" Oversize) (Used After Code Date 96012800 and Before Code Date 99110100). 399015 Ring Set (.020" Oversize) (Used Before Code Date 96012900).			

★ Engine Gasket Set-Reference 358
● Carburetor Overhaul Kit-Reference 121

Δ Valve Gasket Set-Reference 1095

92200

REF. NO.	PART NO.	DESCRIPTION	REF. NO.	PART NO.	DESCRIPTION	REF. NO.	PART NO.	DESCRIPTION
65	690837	Screw (Rewind Starter) (1/4" Long)	82	792753	Screw (Gear Reduction Case) (1 1/3" Long) (Used After Code Date 06051600).	88	792760	Gasket-Gear Reduction Cover (Used After Code Date 06051600).
65A	690338	Screw (Rewind Starter) (3/8" Long)	82A	690369	Screw (Gear Reduction Case) (7/8" Long) (Used Before Code Date 06051700).	88A	691600	Gasket-Gear Reduction Cover (Used Before Code Date 06051700).
66	399671	Clutch-Starter (Used Before Code Date 97060600).				90	495459	Carburetor (2 Quart Tank)
67	394897	Housing-Clutch						
68	691604	Ball-Clutch						
70	691945	Ratchet-Clutch						
71	691359	Cover-Ratchet						
73	699850	Screen-Rotating (Used After Code Date 04032800).						
73A	694018	Screen-Rotating (Used Before Code Date 04032900 and After Code Date 02060200).	83	792756	Shaft-Auxiliary Drive (Gear Reduction Case) (Used After Code Date 06051600).			
73B	691725	Screen-Rotating	83A	690374	Shaft-Auxiliary Drive (Used Before Code Date 06051700).			
74	691627	Screw (Rotating Screen) (7/16" Long)	84	792759	Plug-Breather (Used After Code Date 06051600).			
74A	691692	Screw (Rotating Screen) (1/2" Long) Used on Type No(s). 0007, 0122, 0137.	84A	691121	Plug-Breather (Used Before Code Date 06051700).			
75	691736	Washer (Flywheel) (Used Before Code Date 97063000).	85	690711	Screw (Gear Cover to Gear Reduction Case) (1 1/2" Long) (Used After Code Date 06051600).			
78	690364	Screw (Flywheel Guard)	85A	692551	Screw (Gear Cover to Gear Reduction Case) (1 3/16" Long) (Used Before Code Date 06051700).	95	691437	Screw (Throttle Valve)
79	792746	Case-Gear Reduction (Used After Code Date 06051600).	86	792748	Cover-Gear (Used After Code Date 06051600).	97	692018	Shaft-Throttle
79A	690605	Case-Gear Reduction (Used Before Code Date 06051700).	86A	690608	Cover-Gear (Used Before Code Date 06051700).	110	690401	Washer (Choke Shaft) (Brass)
80	792755	Gasket-Gear Case (Used After Code Date 06051600).	87	792752	Seal-Gear Reduction (Used After Code Date 06051600).	121	495606	Kit-Carburetor Overhaul
80A	691602	Gasket-Gear Case (Used Before Code Date 06051700).	87A	691582	Seal-Gear Reduction (Used Before Code Date 06051700).	127	691718	Plug-Welch (Carburetor Body)
81	691179	Lock-Muffler Screw				127A	691742	Plug-Welch (Mixing Chamber)
						127B	691585	Plug-Welch (Gear Reduction Case)
						130	691743	Valve-Throttle

★ Engine Gasket Set-Reference 358
● Carburetor Overhaul Kit-Reference 121

△ Valve Gasket Set-Reference 1095

REF. NO.	PART NO.	DESCRIPTION	REF. NO.	PART NO.	DESCRIPTION	REF. NO.	PART NO.	DESCRIPTION
141	497230	Kit-Choke Shaft (Used After Code Date 94092500).	188	692200	Screw (Control Bracket)			692613 Spring-Governor (Brown) Used on Type No(s). 1244.
141A	491177	Kit-Choke Shaft (Used Before Code Date 94092600).	190	691685	Screw (Fuel Tank) (2/3" Long)			211 691289 Spring-Governed Idle
147	691250	Jet-Pilot (Standard) ----- Note ----- 499502 Jet-Pilot (High Altitude)	190A	692200	Screw (Fuel Tank) (3/4" Long)	216	690551	Link-Choke Used on Type No(s). 0118, 0121.
149	691592	Spring-Needle Valve	190B	691687	Screw (Fuel Tank) (1 3/4" Long)	216A	691824	Link-Choke
153	490501	Kit-Collar/Screw	191	692241	Gasket-Fuel Tank	216B	692904	Link-Choke
156	690439	Lever-Speed Adjuster	200	498770	Blade-Governor	217	691815	Spring-Choke Return
156A	690438	Lever-Speed Adjuster	201	691822	Link-Air Vane	218	691722	Washer (Choke Link)
163*Δ271935S		Gasket-Air Cleaner	201A	691305	Link-Air Vane	222	699132	Bracket-Control Used on Type No(s). 1008, 1035, 1036, 1040, 1049, 1200, 1218, 1227, 1229, 1237, 1241, 1242, 1243, 1244, 1245, 1247, 1249, 1250.
170	691120	Stud (Crankcase Cover/Sump) (Used in Position 1) Used on Type No(s). 0035, 0036, 0040, 0130, 1035, 1036, 1040, 1230.	206	691771	Nut-Governor Adjusting	224	690320	Screw (Collar/Screw Kit)
173	691777	Valve-Idle Mixture	208	691821	Rod-Governor Control	262	690804	Screw (Rod Bracket)
180	495391	Tank-Fuel (3 Quart) Used on Type No(s). 0118, 0123, 0135, 0136, 1008, 1218, 1227, 1235.	209	692205	Spring-Governor (No Color) ----- Note ----- 690373 Spring-Governor (Stone Blue) Used on Type No(s). 0036, 0123, 0127, 0135, 0136, 0138. 691785 Spring-Governor (Yellow) Used on Type No(s). 0128, 0141. 691825 Spring-Governor (Red) Used on Type No(s). 0118, 0137. 690563 Spring-Governor (White) Used on Type No(s). 0008, 0133, 0142, 1008, 1238, 1242, 1246, 1249. 692612 Spring-Governor (Black) Used on Type No(s). 1241. 692911 Spring-Governor (Yellow) Used on Type No(s). 1036, 1218, 1227, 1235.	265	691024	Clamp-Casing
180A	495376	Tank-Fuel (2 Quart) Used on Type No(s). 0007, 0035, 0036, 0040, 0049, 0128, 0130, 0137. ----- Note ----- 495377 Tank-Fuel (2 Quart) Used on Type No(s). 0100, 0121, 0122, 0129, 0133, 0134, 0138, 0139, 0140, 0141, 0142, 1007, 1035, 1036, 1040, 1049, 1200, 1229, 1230, 1237, 1238, 1241, 1242, 1243, 1244, 1245, 1246, 1249.				266	691414	Control-Throttle
180B	495370	Tank-Fuel (1 Quart) Used on Type No(s). 1247, 1250.				267	691082	Screw (Casing Clamp) (Carburetor) ----- Note ----- 692577 Screw (Casing Clamp) (3/4" Long) Used on Type No(s). 1243, 1245, 1247, 1250.
						268	691025	Casing-Control Wire (72" Long) (Cut to Required Length)
						269	691026	Wire-Control (78" Long) (Cut to Required Length)
						270	691027	Nut (Control Wire Casing)
						271	691028	Lever-Control
						275	691683	Screw (Throttle Control)

* Engine Gasket Set-Reference 358
 ● Carburetor Overhaul Kit-Reference 121

Δ Valve Gasket Set-Reference 1095

92200

REF. NO.	PART NO.	DESCRIPTION	REF. NO.	PART NO.	DESCRIPTION	REF. NO.	PART NO.	DESCRIPTION
280	691184	Bracket-Rod ----- Note ----- 690424 Bracket-Rod Used on Type No(s). 0008, 0127.	365	690953	Screw (Carburetor)	578	696031	Wire Assembly
282	690320	Screw (Control Lever)	373	691612	Nut (Ground Terminal)	592	690800	Nut (Rewind Starter)
298	691720	Locknut-Muffler/Elbow	383	89838S	Wrench-Spark Plug	594	691692	Screw (Starter Rope Pulley)
300	691360	Muffler	392	691823	Spring-Pump Diaphragm			Used on Type No(s). 0007, 0122, 0137.
300A	493288	Muffler	393	691213	Screen-Carburetor	597	691696	Screw (Pawl Friction Plate)
304	692622	Housing-Blower	394	272538S	Diaphragm-Carburetor	608	690101	Starter-Rewind (70" Rope)
304B	690665	Housing-Blower Used on Type No(s). 0007, 0122, 0137.	410	691274	Link-Control	611	690507	Pipe-Fuel (2 Quart Tank)
305	692198	Screw (Blower Housing)	415	691363	Plug (Crankcase Cover/ Sump)			----- Note -----
306	690461	Shield-Cylinder	415A	792749	Plug (Gear Cover) (Used After Code Date 06051600).	612	391813	691770 Pipe-Fuel (3 Quart Tank)
307	691660	Screw (Cylinder Shield)	425	694515	Screw (Air Cleaner Cover)			Tube-Pick Up (2 And 3 Quart Tanks) (Includes Spring Clip)
308	690462	Cover-Cylinder Head	432	690766	Spring-Cap			----- Note -----
325	690590	Pulley-Starter Rope Used on Type No(s). 0007, 0122, 0137.	434	691713	Cover-Diaphragm			297219S Tube- Pick Up (1 Quart Tank)
332	690662	Nut (Flywheel)	435	691619	Screw (Diaphragm Cover)	613	691632	Screw (Muffler)
333	793281	Armature-Magneto (Used After Code Date 06073000). ----- Note ----- 496914 Armature- Magneto (Used Before Code Date 06073100).	445	491588S	Filter-Air Cleaner Cartridge	620	490649	Panel-Speed Control
334	691061	Screw (Magneto Armature)	455	691236	Cup-Flywheel	621	691941	Switch-Stop
337	802592S	Plug-Spark	456	692299	Plate-Pawl Friction	621A	692310	Switch-Stop
347	691396	Switch-Rocker	459	281505S	Pawl-Ratchet	633	691869	Seal-Choke/Throttle Shaft
351	90200	Screw (Ground Terminal)	485	692295	Knob-Control	635	66538S	Boot-Spark Plug
356	692390	Wire-Stop	520	691084	Terminal-Ground	648	690661	Screw (Muffler Guard Bracket) (13/32" Long)
356B	690791	Wire-Stop	527	691741	Clamp-Tube	648A	690664	Screw (Muffler Guard Bracket) (13/32" Long)
356C	695283	Wire-Stop	529	692189	Grommet (90 Degree)	669	690427	Bracket-Muffler Guard
356D	691409	Wire-Stop	529A	692187	Grommet (45 Degree)	669A	691194	Bracket-Muffler Guard
356E	490346	Wire-Stop	536	494279	Air Cleaner	676	393756	Deflector-Muffler
357	692191	Key-Drive Pulley Used on Type No(s). 0128.	541	690288	Washer (Speed Adjuster Lever) (Internal Teeth)	676A	397931	Deflector-Muffler
358	699933	Gasket Set-Engine	541A	690299	Washer (Speed Adjuster Lever) (External Teeth)	676B	393760	Deflector-Muffler
359	691077	Washer	541B	691067	Washer (Speed Adjuster Lever) (Used In Place Of Stop Switch, Reference 621)	676C	396548	Deflector-Muffler
363	19069	Puller-Flywheel (Ground Terminal)	542	691683	Screw (Link Bracket)	677	690661	Screw (Muffler Deflector)
			552	690508	Bushing-Governor Crank	678	490817	Spacer-Rewind
						689	691783	Spring-Friction (Throttle Shaft)
						689A	692522	Spring-Friction (Governor Control Rod)
						689B	691855	Spring-Friction (Rewind Starter)

★ Engine Gasket Set-Reference 358
● Carburetor Overhaul Kit-Reference 121

△ Valve Gasket Set-Reference 1095

REF. NO.	PART NO.	DESCRIPTION	REF. NO.	PART NO.	DESCRIPTION	REF. NO.	PART NO.	DESCRIPTION
692	690572	Spring-Detent	851	493880S	Terminal-Spark Plug	1036		Label-Emissions
718	690959	Pin-Locating (Cylinder)	864	690776	Adapter-Muffler			(Available From A
718A	499047	Pin-Locating (Crankshaft)	869	691701	Seat-Valve (Intake)			Briggs & Stratton
718B	690296	Pin-Locating (Diaphragm Cover)	870	691702	Seat-Valve (Exhaust)	1046	691337	Authorized Dealer)
741	791124	Gear-Timing (Timing Mark is an Oval{0})	871	262001	Bushing-Valve Guide (Exhaust)	1058	MS5888	Plug-Blower Housing
741A	691805	Gear-Timing (Timing Mark is a Circle {0})			----- Note -----			Operator's Manual
770	690098	Kit-Rewind/Blower Housing Used on Type No(s). 0007, 0122, 0137.	883	Δ691314	Gasket-Exhaust			----- Note -----
773	697325	Retainer	883A	★691880	Gasket-Exhaust	1095	699450	277098 Operator's
779	691828	Link-Bell Crank	916	691900	Rack-Governor Gear	1149	691624	Manual
780	691211	Anchor-Spring	930	691348	Guard-Rewind			Used on Type No(s).
823	692336	Screw (Muffler)	930A	690601	Guard-Rewind	1194	691876	1200, 1218, 1227,
831	691099	Screw (Spring Anchor)	957	494559	Cap-Fuel Tank			1229, 1238, 1242,
832	490571	Guard-Muffler	967	491435S	Filter-Pre Cleaner	1210	499901	1243, 1249.
832A	690789	Guard-Muffler	968	692321	Cover-Air Cleaner			Gasket Set-Valve
836	690367	Screw (Muffler Guard) (19/32" Long)	971	690370	Screw (Air Cleaner Base to Carburetor)	1211	499901	Screw
836A	690661	Screw (Muffler Guard) (13/32" Long)	987	692279	Seal-Throttle Shaft			(Throttle Shaft)
836B	691683	Screw (Muffler Guard) (1/3" Long)	987A	270167	Seal-Throttle Shaft	1302	691186	Seal-O Ring
			995	691756	Bracket-Link			(Plug)
			1012	490507	Retainer-Link	1210	499901	(Plug/Spring
								Assembly
						1211	499901	(Pulley)
								(Pulley/Spring
								Assembly
						1302	691186	(Spring)
								Washer
						1330	270962	(Muffler Guard)
								Repair Manual

★ Engine Gasket Set-Reference 358
● Carburetor Overhaul Kit-Reference 121

Δ Valve Gasket Set-Reference 1095