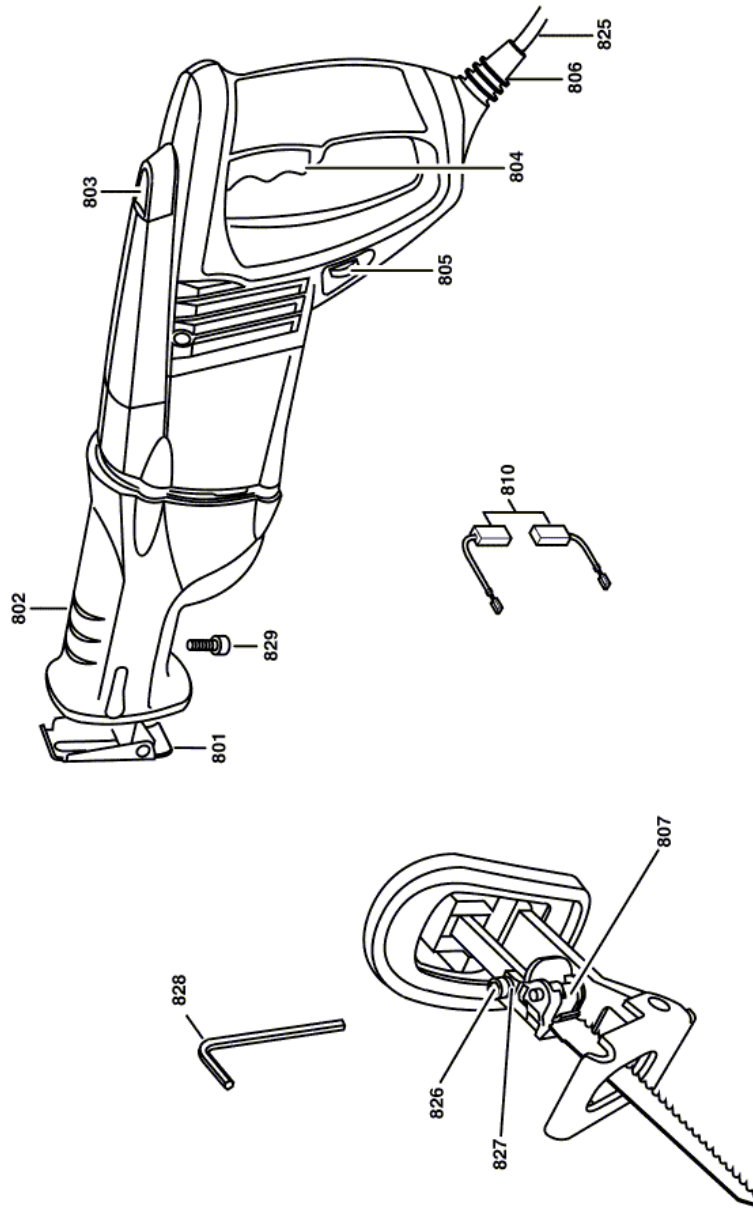


Reciprocating saw - F 012 925 000 - 9250

Item	Part Number	Description	Illustration	Price	Quantity	Price Group
801	2 610 920 263	Base	1	-,-	1	-
802	2 610 920 264	Rubber	1	-,-	1	-
803	2 610 917 580	Container	1	-,-	1	-
804	2 610 917 581	Switch	1	-,-	1	-
805	2 610 917 582	Speed governor	1	-,-	1	-
806	2 610 917 583	Spare Part	1	-,-	1	-
807	2 610 920 265	Blade Holder	1	-,-	1	30
810	2 610 917 585	Carbon-Brush Set	1	-,-	1	-
825	3 604 460 555	Power supply cord USA/CDN 2,15m 2 x 0,82mm SJ 18/2	1	-,-	1	24
826	3 603 410 505	Thread-forming tap. Screw	1	-,-	1	11
827	2 916 683 006	Spring Lock Washer DIN 127-B 5	1	-,-	1	12
828	2 607 950 004	Offset Screwdriver DIN 911-4	1	-,-	1	11
829	2 910 145 154	Screw DIN 912-M5x12-8.8	1	-,-	2	-

Illustration - Type E



F 012 925 000
Issue } 03-06-04
Stand } **Fig./Abb. 1**

Modifications reserved
Änderungen vorbehalten
Modificacions reserves
Salvo modificaciones

Information subject to change without further notice.