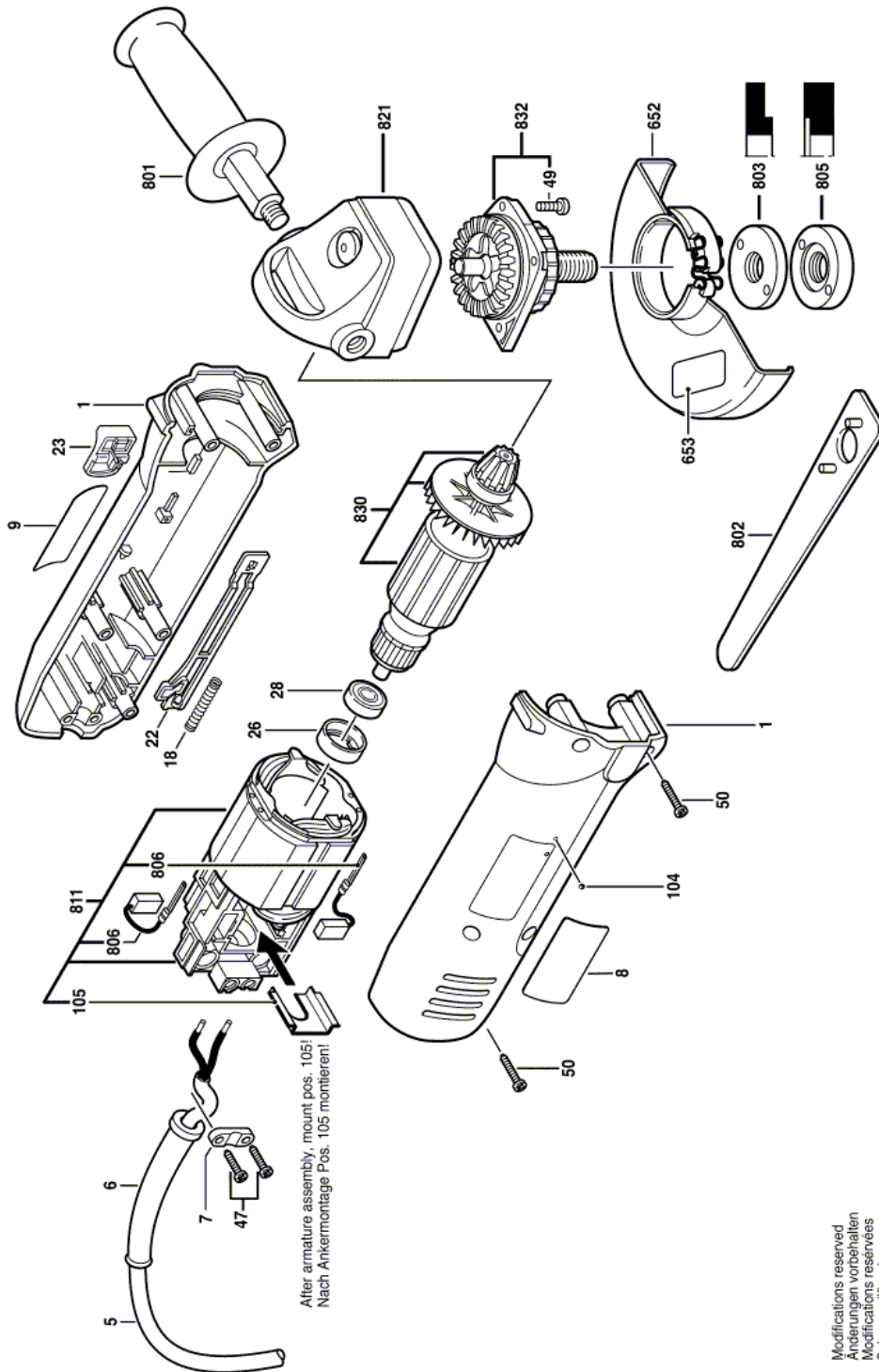


Angle Grinder - F 012 932 500 - 9325

Item	Part Number	Description	Illustration	Price	Quantity	Price Group
1	1 605 108 232	Housing Section	1	-,-	1	28
5	1 619 P00 074	Power supply cord	1	-,-	1	22
6	2 600 703 013	Grommet Ø7,6-Ø8,2x95 MM	1	-,-	1	13
7	2 601 035 001	Cable Clip	1	-,-	1	11
8	1 601 118 C37	Nameplate	1	-,-	1	15
9	1 601 106 927	Nameplate	1	-,-	1	15
18	1 604 611 026	Compression Spring	1	-,-	1	10
22	1 602 319 014	Adjusting Slide	1	-,-	1	12
23	1 602 026 080	Switch Handle	1	-,-	1	12
26	1 600 502 020	Rubber Bushing	1	-,-	1	11
28	2 609 001 630	Deep-Groove Ball Bearing	1	-,-	1	19
47	1 619 P00 029	Screw	1	-,-	2	10
49	1 603 435 068	Thread-forming tap. Screw DIN 7500, M4x10, SR10.2	1	-,-	4	11
50	1 619 P00 105	Torx Oval-Head Screw 4x20	1	-,-	5	10
104	1 619 P00 083	Ball	1	-,-	1	10
105	1 600 591 034	Intermediate Plate	1	-,-	1	13
652	2 609 000 390	Protective Guard	1	-,-	1	25
653	1 601 118 C35	Reference Plate	1	-,-	1	15
801	1 602 025 027	Auxiliary Handle M10	1	-,-	1	19
802	1 619 P08 927	Pin-Type Face-Wrench	1	-,-	1	17
803	3 603 340 503	Round Nut 5/8"	1	-,-	1	28
805	3 603 340 501	Clamping-Flange 5/8"-FL+B	1	-,-	1	17
806	1 607 000 994	Carbon-Brush Set	1	-,-	1	23
811	1 607 000 722	Field 115-120V	1	-,-	1	33
821	1 607 000 728	Gear Housing	1	-,-	1	32
830	1 607 000 997	Armature 115-120V	1	-,-	1	38
832	1 607 000 720	Grinding Spindle	1	-,-	1	32

F012 932 5AA
 Issue 01-06-13
 Stand

Fig./Abb. 1



Modifications reserved
 Änderungen vorbehalten
 Modifications réservées
 Salvo modificaciones