



Illustrated Parts List

Model Series

93400

TYPE NUMBERS
0010 through 1283.

TABLE OF CONTENTS

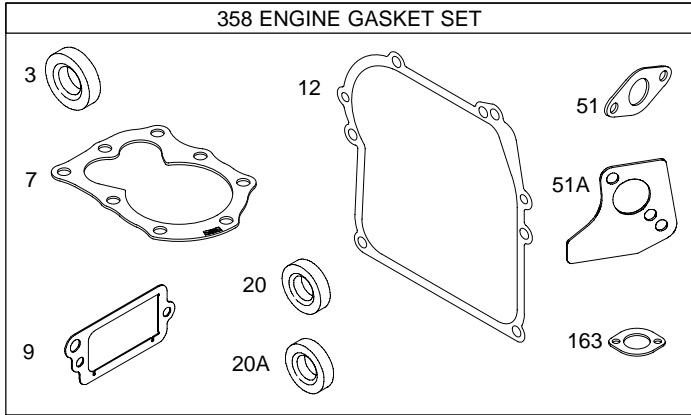
Air Cleaner	6
Blower Housing	7
Blower Housing/Rewind #1	8
Blower Housing/Rewind #2	9
Cam	2
Carburetor	4
Controls	5
Crankcase Cover/Sump	3
Crankshaft	2
Cylinder	2
Flywheel	7
Fuel Tank	4
Gear Reducer	9
Governor Spring	5
Head	2
Ignition	5
Kits/Gaskets-Carburetor	4
Kits/Gaskets-Valve/Engine	2
Muffler	6
Oil	3
Piston	2
Rewind	7
Valves	2

PRINTED IN U.S.A.

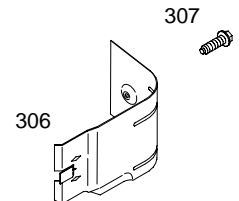
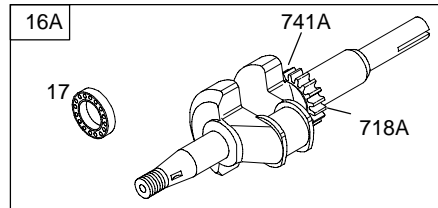
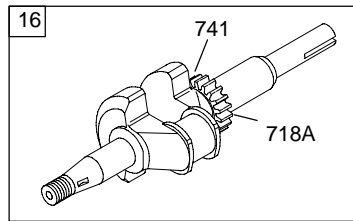
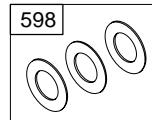
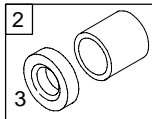
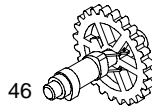
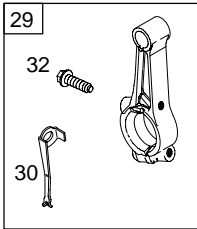
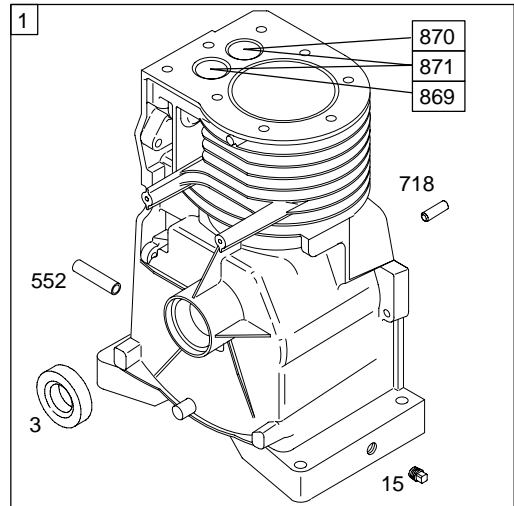
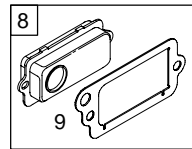
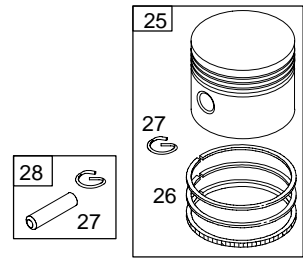
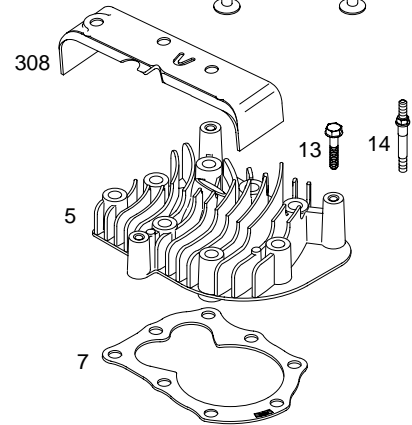
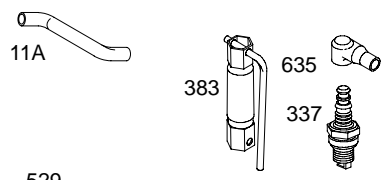
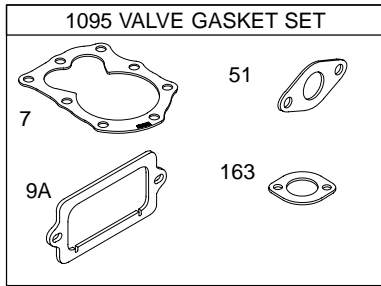
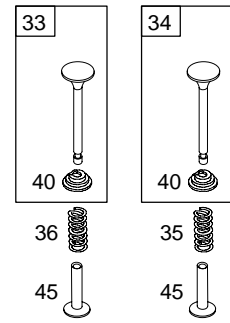


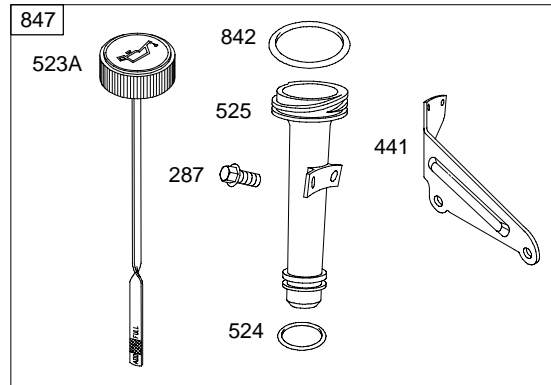
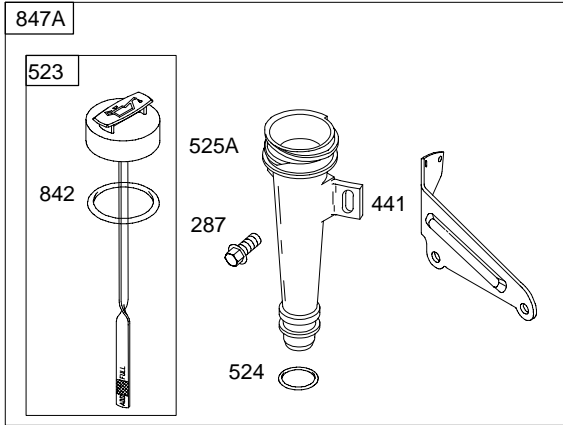
COPYRIGHT by BRIGGS & STRATTON CORPORATION
All rights reserved. No part of this material may be reproduced or transmitted, in any form or by any means, electronic or mechanical, including photocopying, recording or by any information storage and retrieval system, without permission in writing from Briggs & Stratton Corporation.

1058 OWNER'S MANUAL

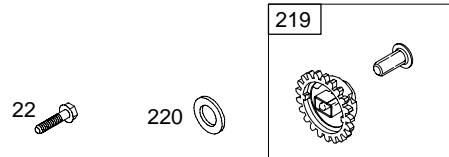
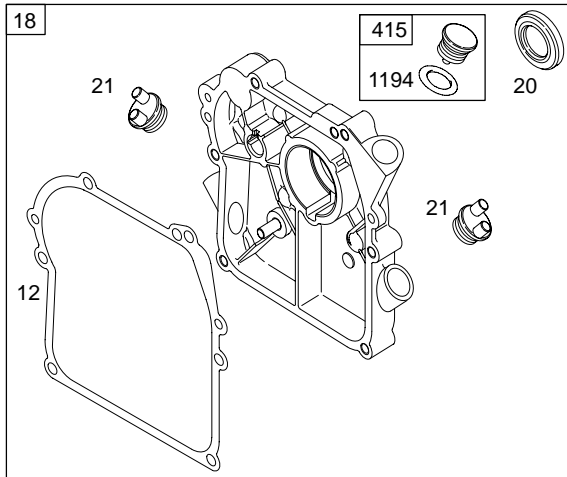


1330 REPAIR MANUAL

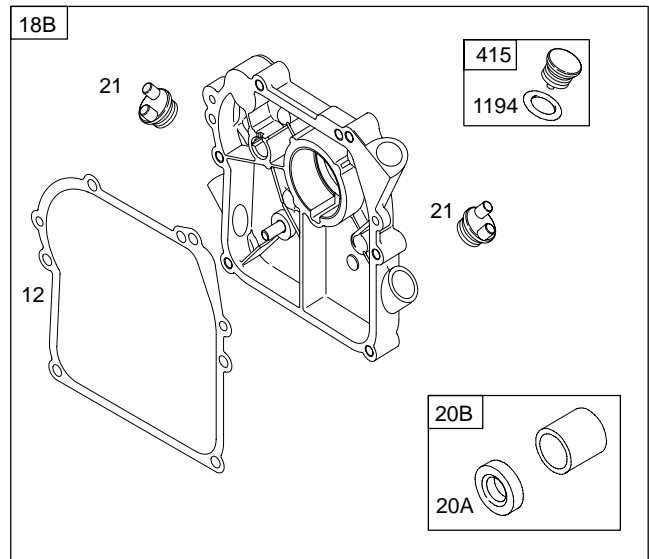
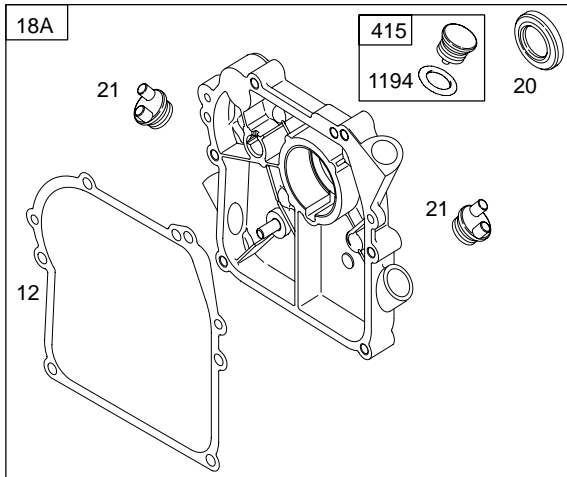


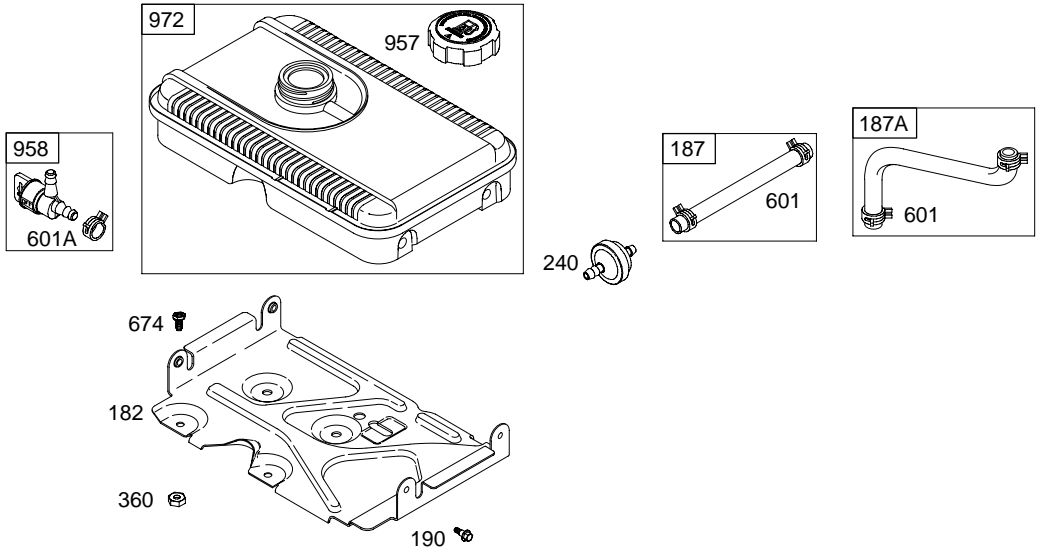
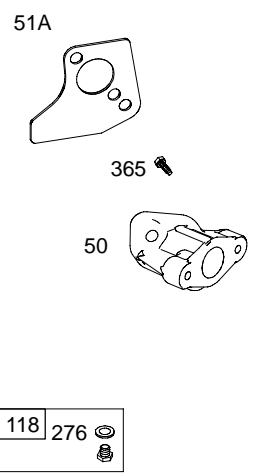
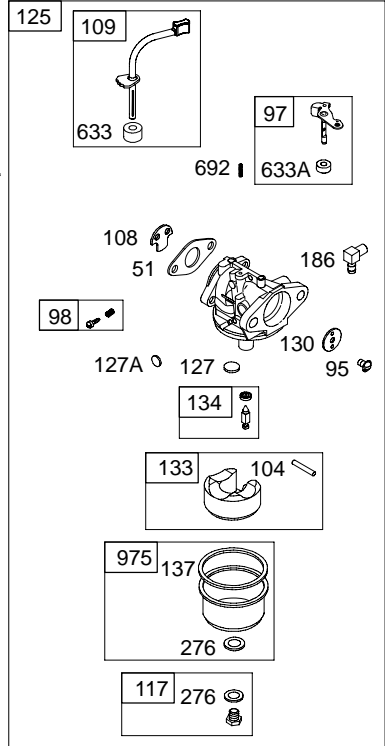
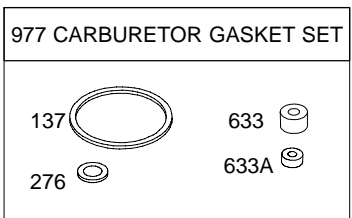
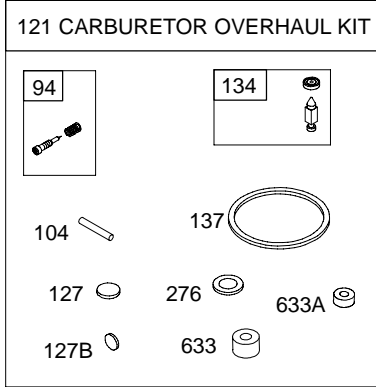


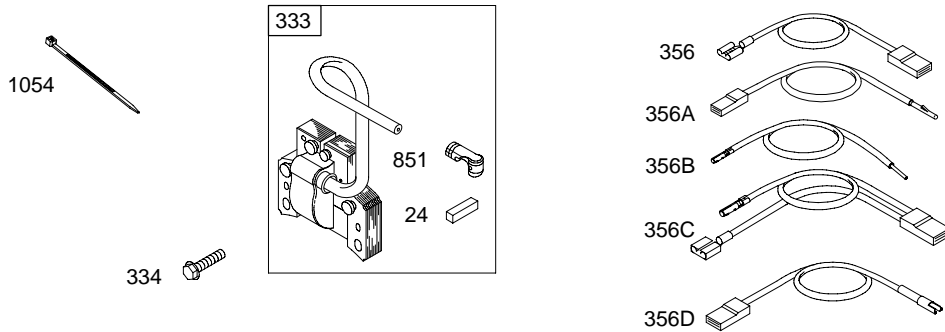
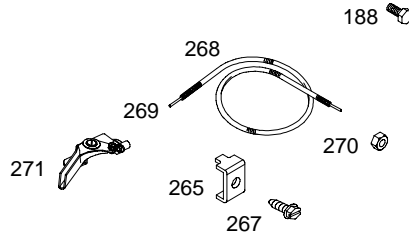
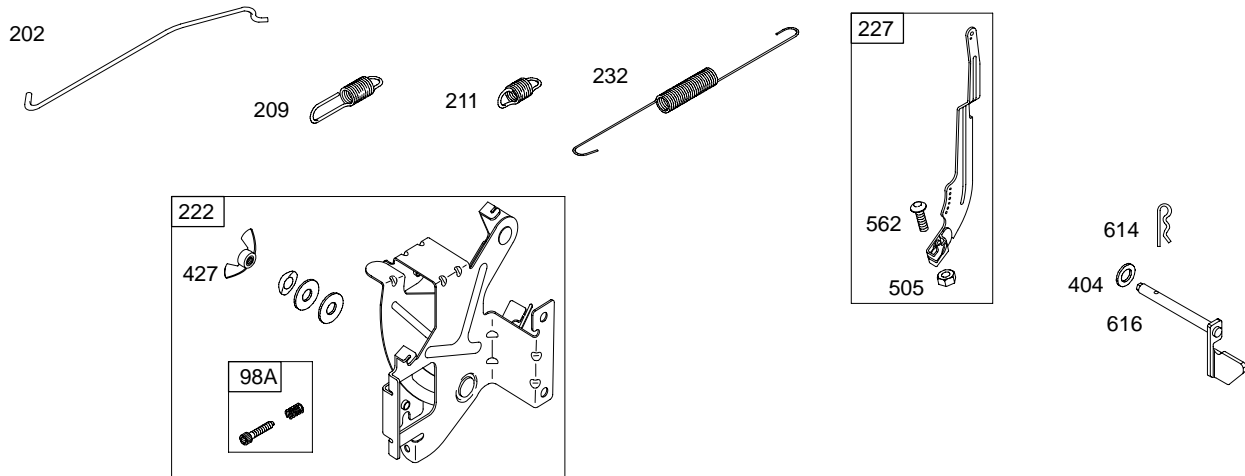
BALL BEARING COVER

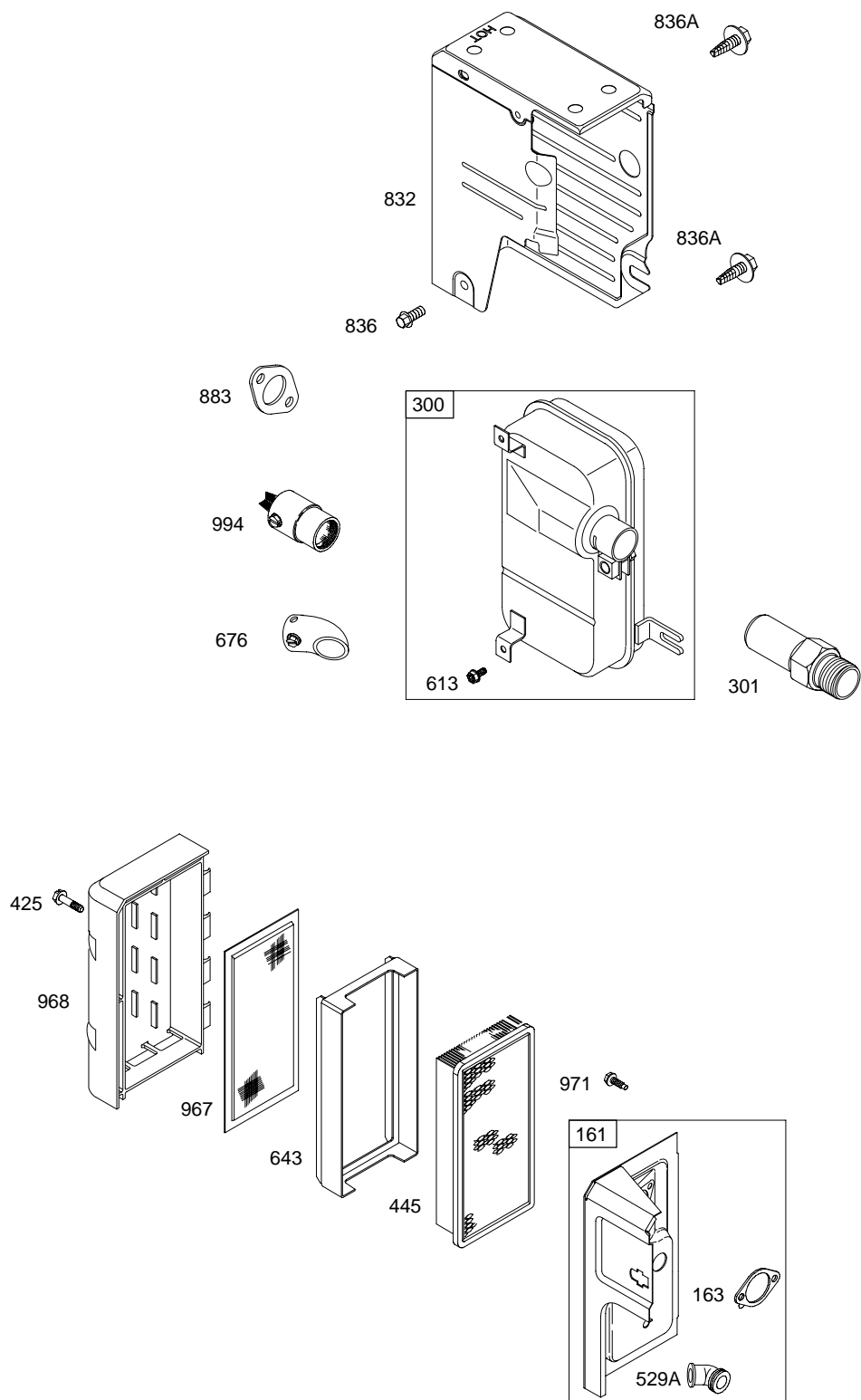


PLAIN BEARING COVER



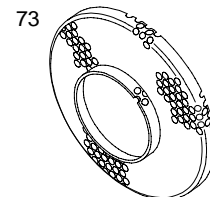
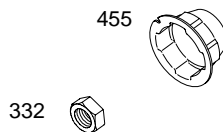
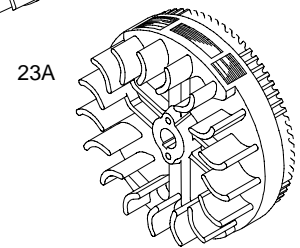
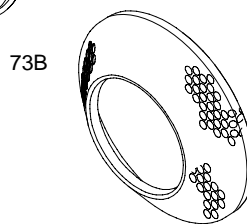
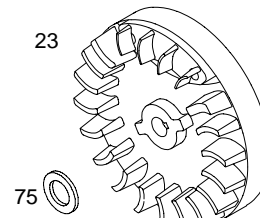
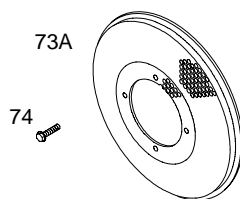
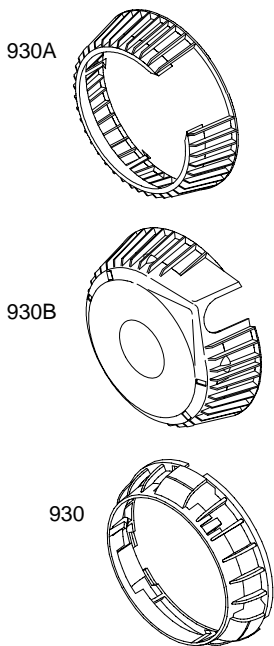
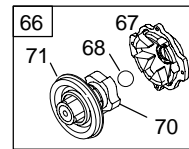
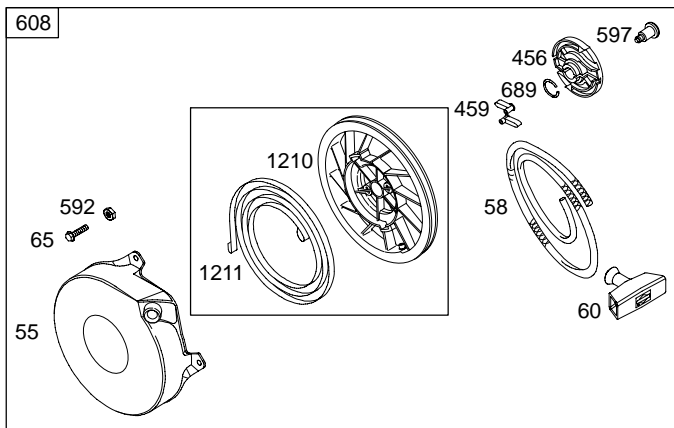
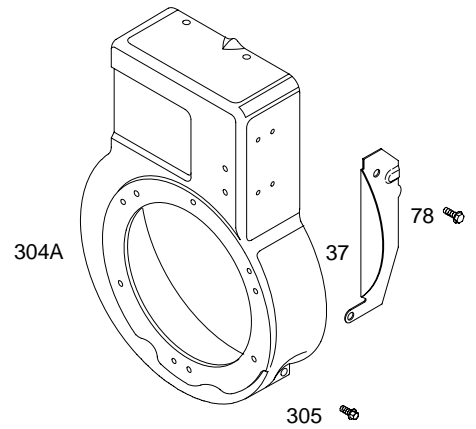
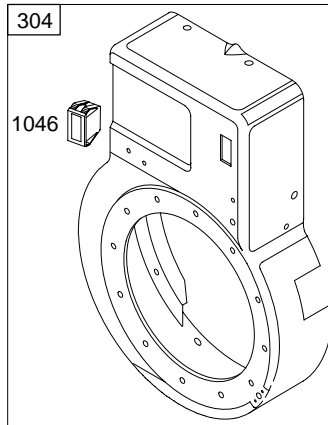


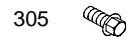
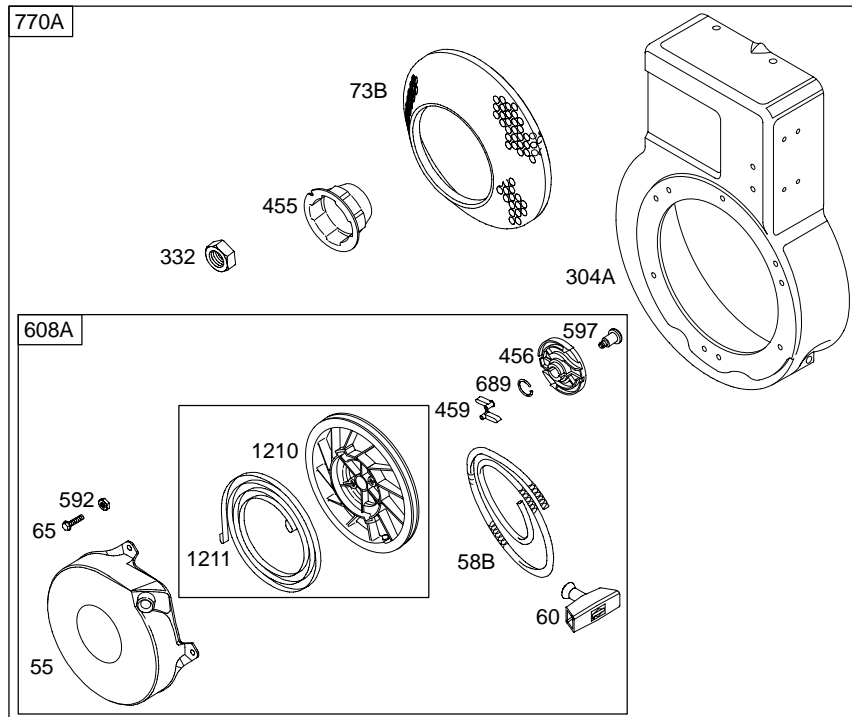
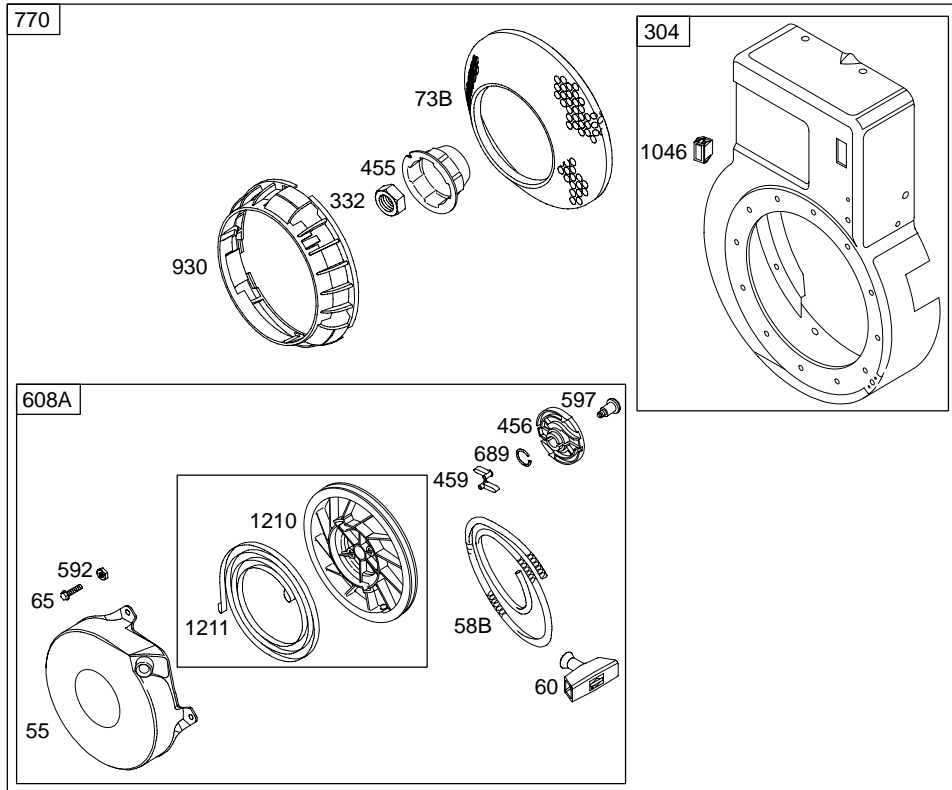


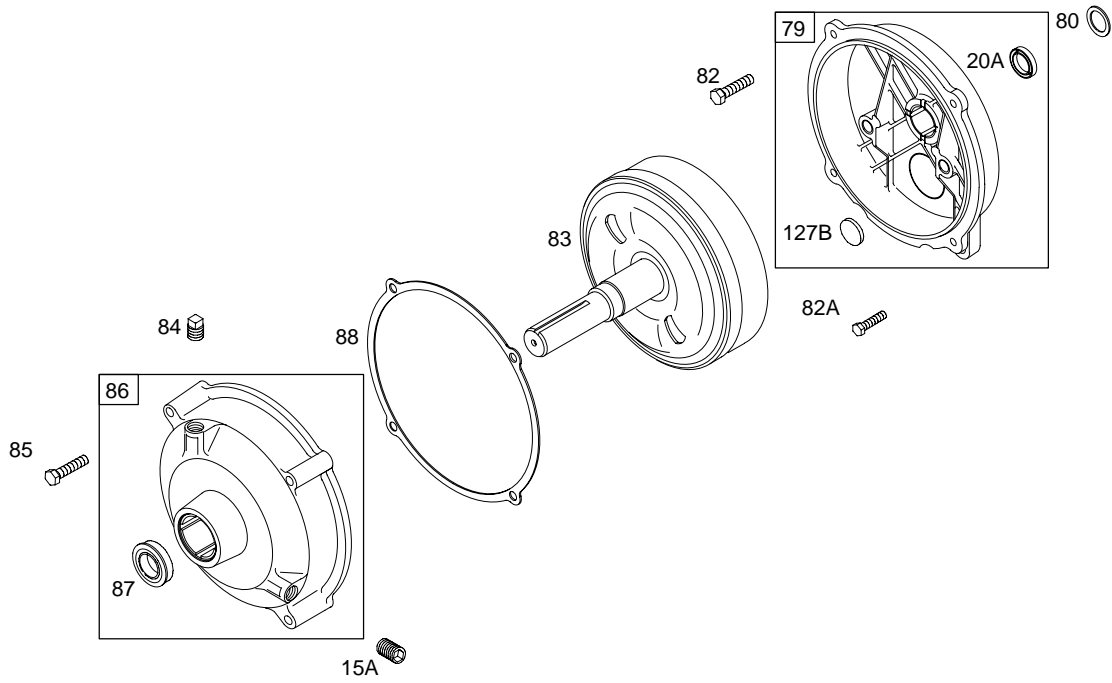
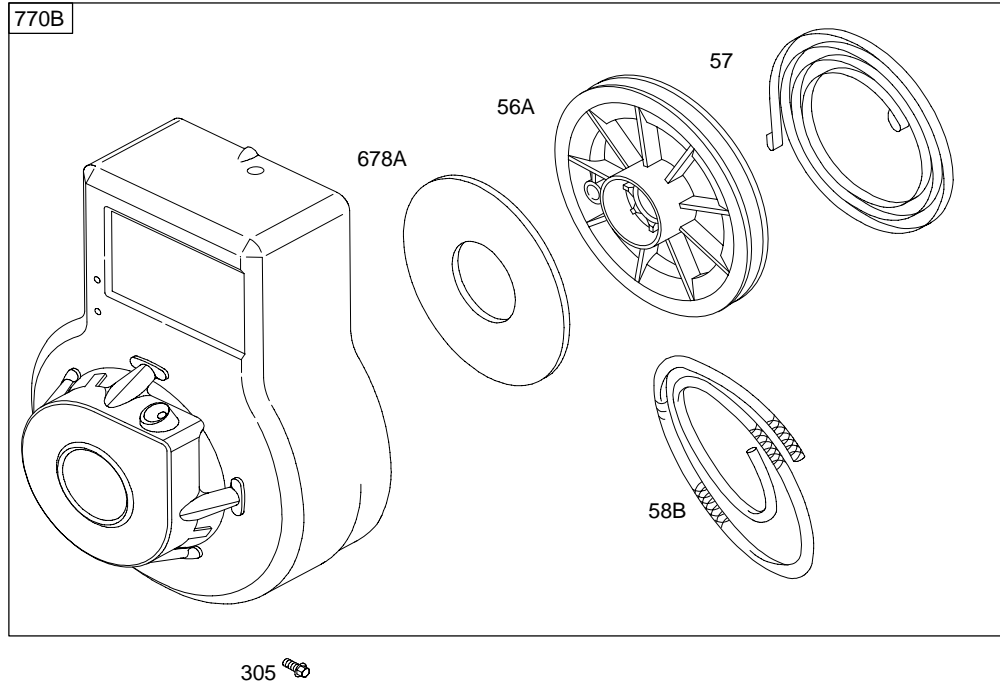


1019 LABEL KIT

1036 EMISSIONS LABEL







93400

REF. NO.	PART NO.	DESCRIPTION	REF. NO.	PART NO.	DESCRIPTION	REF. NO.	PART NO.	DESCRIPTION
1	695165	Cylinder Assembly (Used After Code Date 99103100). ----- Note ----- 496864 Cylinder Assembly (Used Before Code Date 99110100).	16	399006	Crankshaft ----- Note ----- 492086 Crankshaft Used On Type No(s). 0060, 0360, 1060. 492880 Crankshaft Used on Type No(s). 0015, 0315. 791414 Crankshaft Used on Type No(s). 1015. 493599 Crankshaft Used on Type No(s). 0024, 0049, 0141, 0168, 0349. 791422 Crankshaft Used on Type No(s). 1049, 1241, 1242, 1277, 1283. 493632 Crankshaft Used on Type No(s). 0011, 0150, 0169, 0172, 0669. 791416 Crankshaft Used on Type No(s). 1269, 1278. 690821 Crankshaft Used On Type No(s). 0036, 0137, 0140, 0145, 0336. 691474 Crankshaft Used On Type No(s). 1254. 791473 Crankshaft Used on Type No(s). 1039, 1236, 1253, 1274.	16A	492095	Crankshaft Used on Type No(s). 0035, 0149, 0335. ----- Note ----- 791418 Crankshaft Used on Type No(s). 1035, 1280. 791421 Crankshaft Used on Type No(s). 1036, 1201, 1240, 1281. 690836 Crankshaft Used On Type No(s). 0041, 0158, 1258. 497232 Crankshaft Used on Type No(s). 0037, 0144, 0154, 0337, 0654. 791417 Crankshaft Used on Type No(s). 1037. 692145 Crankshaft Used On Type No(s). 1038, 1257, 1282.
2	399269	Kit-Bushing/Seal (Magneto Side)				17	690824	Ball Bearing
3	★299819	Seal-Oil (Magneto Side)				18	497502	Cover-Crankcase (Ball Bearing Cover)
5	690384	Head-Cylinder ----- Note ----- 790169 Head-Cylinder Used On Type No(s). 0136, 0636, 1236.				18A	496679	Cover-Crankcase (Plain Bearing Cover) Used on Type No(s). 0024, 0040, 0049, 0141, 0150, 0168, 0169, 0172, 0349, 0669, 1049, 1241, 1242, 1269, 1277.
7	★Ø698717	Gasket-Cylinder Head						----- Note ----- 496788 Cover-Crankcase (Plain Bearing Cover) Used On Type No(s). 0011, 0015, 0039, 0060, 0154, 0315, 0339, 0360, 0654, 1015, 1039, 1060, 1254, 1278.
8	699448	Breather Assembly				18B	496903	Cover-Crankcase (Plain Bearing Cover) Used on Type No(s). 0136, 0139, 0153, 0174, 0636, 1236, 1253, 1274.
9	695890	Gasket-Breather (Used After Code Date 03031900).						
9A	★Ø27549	Gasket-Breather (Used Before Code Date 03032000).						
10	691666	Screw (Breather Assembly)						
11A	691246	Tube-Breather						
12	★692218	Gasket-Crankcase (.015" Thick) (Standard) ----- Note ----- ★270895 Gasket-Crankcase (.005" Thick) ★270896 Gasket-Crankcase (.009" Thick)						
13	691640	Screw (Cylinder Head)						
14	690361	Stud (Cylinder Head) (Used in Positions 6 and 8)						
15	691686	Plug-Oil Drain						
15A	691682	Plug-Oil Drain (Gear Cover)						

★ Engine Gasket Set-Reference 358
● Carburetor Overhaul Kit-Reference 121

◆ Carburetor Gasket Set-Reference 977
Ø Valve Gasket Set-Reference 1095

REF. NO.	PART NO.	DESCRIPTION	REF. NO.	PART NO.	DESCRIPTION	REF. NO.	PART NO.	DESCRIPTION
20	692020	Seal-Oil (PTO Side) (Ball Bearing Cover)	23	690843	Flywheel ----- Note ----- 692009 Flywheel Used On Type No(s). 0136, 0636, 1236.			----- Note ----- 695169 Ring Set (Standard) (Used After Code Date 96012800 and Before Code Date 05051900).
20A	299819	Seal-Oil (PTO Side)						498680 Ring Set (Standard) (Used After Code Date 96012800 and Before Code Date 05051900).
20B	691356	Seal-Oil (PTO Side) Used on Type No(s). 0136, 0139, 0153, 0174, 0636, 1236, 1253, 1274.	23A	699573	Flywheel Used On Type No(s). 0154, 0654, 1254.			399067 Ring Set (Standard) (Used Before Code Date 96012900).
21	281658	Cap-Oil Fill	24	222698	Key-Flywheel			695171 Ring Set (.010" Oversize) (Used After Code Date 96012800 and Before Code Date 05051900).
22	691129	Screw (Crankcase Cover/Sump) ----- Note ----- 691128 Screw (Crankcase Cover/Sump) (Used in Positions 1 and 6) Used On Type No(s). 0011, 0015, 0035, 0036, 0037, 0038, 0039, 0041, 0060, 0137, 0140, 0144, 0145, 0149, 0152, 0154, 0157, 0158, 0315, 0335, 0336, 0337, 0338, 0339, 0360, 0654, 1015, 1035, 1036, 1037, 1038, 1039, 1060, 1201, 1240, 1254, 1257, 1258, 1278, 1280, 1281. 693732 Screw (Crankcase Cover/Sump) (Used in Positions 1 and 6) Used On Type No(s). 0024, 0040, 0049, 0136, 0139, 0141, 0150, 0153, 0169, 0172, 0174, 0349, 0636, 0669, 1049, 1236, 1241, 1242, 1253, 1269, 1274, 1277, 1283.	25	790908	Piston Assembly (Standard) (Used After Code Date 05051805). ----- Note ----- 498668 Piston Assembly (Standard) (Used After Code Date 96012800 and Before Code Date 05051900). 496869 Piston Assembly (Standard) (Used Before Code Date 96012900). ----- 298906 Piston Assembly (.020" Oversize) (Used Before Code Date 96012900). ----- 498671 Piston Assembly (.030" Oversize) (Used After Code Date 96012800 and Before Code Date 05051900). 298907 Piston Assembly (.030" Oversize) (Used After Code Date 96012800 and Before Code Date 05051900).			695172 Ring Set (.020" Oversize) (Used After Code Date 96012800 and Before Code Date 05051900). 498682 Ring Set (.020" Oversize) (Used After Code Date 96012800 and Before Code Date 99110100). 399015 Ring Set (.020" Oversize) (Used Before Code Date 96012900).
			26	790909	Ring Set (Standard) (Used After Code Date 05051805).			695173 Ring Set (.030" Oversize) (Used After Code Date 96012800 and Before Code Date 05051900). 498683 Ring Set (.030" Oversize) (Used After Code Date 96012800 and Before Code Date 99110100). 399016 Ring Set (.030" Oversize) (Used Before Code Date 96012900).

★ Engine Gasket Set-Reference 358
● Carburetor Overhaul Kit-Reference 121

◆ Carburetor Gasket Set-Reference 977
⊘ Valve Gasket Set-Reference 1095

93400

REF. NO.	PART NO.	DESCRIPTION	REF. NO.	PART NO.	DESCRIPTION	REF. NO.	PART NO.	DESCRIPTION
27	691588	Lock-Piston Pin	60	691915	Grip-Starter Rope	104	●691242	Pin-Float Hinge
28	699659	Pin-Piston (Standard) (Used After Code Date 05051805).	65	690837	Screw (Rewind Starter)	108	692567	Valve-Choke (Used After Code Date 96032400).
		----- Note -----	66	399671	Clutch-Starter (Used Before Code Date 97060600).			----- Note -----
		298909 Pin-Piston (Standard) (Used Before Code Date 05051900).	67	394897	Housing-Clutch (Used Before Code Date 97060600).			691182 Valve-Choke (Used Before Code Date 96032500).
		298908 Pin-Piston (.005" Oversize) (Used Before Code Date 05051900).	68	691604	Ball-Clutch (Used Before Code Date 97060600).	109	496860	Shaft-Choke
29	699655	Rod-Connecting (Standard) (Used After Code Date 05051805).	70	691945	Ratchet-Clutch (Used Before Code Date 97060600).	117	498981	Jet-Main (Standard) (Used After Code Date 96032400).
		----- Note -----	71	691359	Cover-Ratchet (Used Before Code Date 97060600).			----- Note -----
		294367 Rod-Connecting (Standard) (Used Before Code Date 05051900).	73	694018	Screen-Rotating			496063 Jet-Main (Standard) (Used Before Code Date 96032500).
30	691719	Dipper-Connecting Rod	73A	691725	Screen-Rotating	118	494870	Jet-Main (High Altitude) (Used After Code Date 96032400).
32	691664	Screw (Connecting Rod)	73B	699850	Screen-Rotating			497466 Jet-Main (High Altitude) (Used Before Code Date 96032500).
33	497871	Valve-Exhaust	74	691627	Screw (Rotating Screen)			
34	296677	Valve-Intake	75	691736	Washer (Flywheel)			
35	690520	Spring-Valve (Intake)	76	691359	Seal-Ratchet			
36	690520	Spring-Valve (Exhaust)	78	690364	Screw (Flywheel Guard)	121	498260	Kit-Carburetor Overhaul
37	690463	Guard-Flywheel	79	690605	Case-Gear Reduction	125	496863	Carburetor
40	692194	Retainer-Valve	80	★691602	Gasket-Gear Case	127	●691739	Plug-Welch (5/16" Diameter)
45	691762	Tappet-Valve	82	690369	Screw (Gear Reduction Case) (7/8" Long)	127A	694468	Plug-Welch (3/8" Diameter)
46	691998	Camshaft	82A	699164	Screw (Gear Reduction Case) (1 1/2" Long)	127B	691585	Plug-Welch (Gear Reduction Case)
50	691922	Manifold-Intake	83	690374	Shaft-Auxiliary Drive	130	691181	Valve-Throttle
51 ★∅	692283	Gasket-Intake	84	691121	Plug-Breather (Gear Cover)	133	398187	Float-Carburetor
51A	★273113	Gasket-Intake	85	692551	Screw (Gear Cover to Gear Reduction Case) (1 3/16" Long)	134	●398188	Kit-Needle/Seat
54	691688	Screw (Intake Manifold)	86	690608	Cover-Gear	137	●●693981	Gasket-Float Bowl
55	692144	Housing-Rewind Starter	87	691582	Seal-Gear Reduction	161	691393	Base-Air Cleaner
56A	280439	Pulley-Starter	88	★691600	Gasket-Gear Reduction Cover	163 ★∅	272948	Gasket-Air Cleaner
57	490179	Spring-Rewind Starter	94	●493765	Kit-Idle Mixture (Used Before Code Date 96032500).	182	690485	Bracket-Fuel Tank
58	697316	Rope-Starter (88 5/8" Long)	95	691636	Screw (Throttle Valve)	186	692317	Connector-Hose
58B	691921	Rope-Starter (70" Long)	97	496861	Shaft-Throttle	187	791745	Line-Fuel (Cut to Required Length) (Used After Code Date 05063000).
			98	398185	Kit-Idle Speed (Carburetor)			----- Note -----
			98A	493280	Kit-Idle Speed (Control Bracket)			296004 Line-Fuel (Cut to Required Length) (Used Before Code Date 05070100).

★ Engine Gasket Set-Reference 358
● Carburetor Overhaul Kit-Reference 121

◆ Carburetor Gasket Set-Reference 977
∅ Valve Gasket Set-Reference 1095

REF. NO.	PART NO.	DESCRIPTION	REF. NO.	PART NO.	DESCRIPTION	REF. NO.	PART NO.	DESCRIPTION
187A	791857	Line-Fuel (Molded) (Used After Code Date 05063000). ----- Note ----- 495218 Line-Fuel (Molded) (Used Before Code Date 05070100).	265	691024	Clamp-Casing	356	693010	Wire-Stop
			267	692577	Screw (Casing Clamp) (Used After Code Date 03092600). ----- Note ----- 690804 Screw (Casing Clamp) (Used Before Code Date 03092700).	356A	690791	Wire-Stop
188	691637	Screw (Control Bracket)				356B	690792	Wire-Stop
190	692199	Screw (Fuel Tank)	268	691072	Casing-Control Wire (Cut to Required Length)	356C	691409	Wire-Stop
202	692351	Link-Mechanical Governor	269	691026	Wire-Control (Cut to Required Length)	356D	696030	Wire-Stop
209	691857	Spring-Governor (No Color) ----- Note ----- 691858 Spring-Governor (Yellow) Used On Type No(s). 0010, 0038, 0039, 0040, 0136, 0139, 0150, 0152, 0153, 0155, 0157, 0169, 0172, 0174, 0338, 0339, 0636, 0669, 1038, 1039, 1236, 1253, 1257, 1269, 1274, 1282.	270	691027	Nut (Control Wire Casing)	357	692191	Key-Drive Pulley Used on Type No(s). 0140, 1240.
			271	691028	Lever-Control	358	496865	Gasket Set-Engine
211	691849	Spring-Governed Idle	276	271716	Washer-Sealing	360	691105	Nut (Fuel Tank Bracket)
219	496786	Gear-Governor	287	695733	Screw (Dipstick Tube) (7/16" Long) (Used After Code Date 03092600). ----- Note ----- 691693 Screw (3/8" Long) (Dipstick Tube) (Used Before Code Date 03092700).	363	19069	Puller-Flywheel
220	691724	Washer (Governor Gear)	300	692365	Muffler	365	691689	Screw (Carburetor)
222	691411	Bracket-Control (Used After Code Date 94111300). ----- Note ----- 495762 Bracket-Control (Used Before Code Date 94111400).	301	690526	Pipe-Exhaust	383	89838	Wrench-Spark Plug
			304	692622	Housing-Blower	404	691691	Washer (Governor Crank)
227	691412	Lever-Governor Control (Used After Code Date 94111400). ----- Note ----- 496000 Lever-Governor Control (Used Before Code Date 94111500).	304A	694144	Housing-Blower	415	691363	Plug (For High Oil Fill Hole)
			305	692198	Screw (Blower Housing)	425	690670	Screw (Air Cleaner Cover)
232	691846	Spring-Governor Link	306	690461	Shield-Cylinder	427	690355	Nut (Control Bracket)
240	298090	Fuel Filter	307	691660	Screw (Cylinder Shield)	441	690484	Bracket-Oil Fill
			308	690462	Cover-Cylinder	445	494511	Filter-Air Cleaner Cartridge
			332	690662	Nut (Flywheel)	455	691236	Cup-Flywheel
			333	496914	Armature-Magneto	456	692299	Plate-Pawl Friction
			334	691061	Screw (Magneto Armature)	459	281505	Pawl-Ratchet
			337	496018	Plug-Spark ----- Note ----- 802592 Plug-Spark Used On Type No(s). 0136, 0636, 1236.	505	691251	Nut (Governor Control Lever)
			347	691396	Switch-Rocker	523	495264	Dipstick
						523A	691395	Dipstick
						524	691876	Seal-Dipstick Tube
						525	694426	Tube-Dipstick
						525A	694531	Tube-Dipstick
						529	692187	Grommet (45 Degree)
						529A	692189	Grommet (90 Degree)
						552	690508	Bushing-Governor Crank
						562	92613	Bolt (Governor Control Lever)
						592	690800	Nut (Rewind Starter)
						597	691696	Screw (Pawl Friction Plate)
						598	791387	Shim-Endplay (Used After Code Date 05013000). (For Pump Applicatons Only)

★ Engine Gasket Set-Reference 358
● Carburetor Overhaul Kit-Reference 121

◆ Carburetor Gasket Set-Reference 977
Ø Valve Gasket Set-Reference 1095

93400

REF. NO.	PART NO.	DESCRIPTION	REF. NO.	PART NO.	DESCRIPTION	REF. NO.	PART NO.	DESCRIPTION
601	95162	Clamp-Hose (Green)	832	692368	Guard-Muffler	1046	691337	Plug-Blower Housing
601A	691038	Clamp-Hose (Black)	836	691693	Screw (Muffler Guard)	1054	280275	Tie-Cable
608	499706	Starter-Rewind	836A	691685	Screw (Muffler Guard)	1058	274779	Owner's Manual (Used Before Code Date 04112900).
608A	690101	Starter-Rewind	842	★691870	Seal-O Ring (Dipstick Tube)			Used on Type No(s). 1201, 1236, 1241, 1269, 1278.
613	690810	Screw (Muffler)	847	690848	Dipstick/Tube Assembly			----- Note -----
614	691620	Pin-Cotter	847A	694532	Dipstick/Tube Assembly			273124 Owner's Manual
616	692016	Crank-Governor	851	493880	Terminal-Spark Plug			Used On Type No(s). 0315, 0335, 0336, 0337, 0338, 0339, 0349, 0360, 0636, 0654, 0669.
633	◆691321	Seal-Choke/ Throttle Shaft (Throttle)	869	691701	Seat-Valve (Intake)			MS5888 Owner's Manual (Used After Code Date 04112800).
633A	◆693867	Seal-Choke/ Throttle Shaft (Choke)	870	691702	Seat-Valve (Exhaust)			276346 Owner's Manual (Used After Code Date 05063000).
635	66538	Boot-Spark Plug	871	262001	Bushing-Valve Guide			Used on Type No(s). 1201, 1241.
643	691908	Retainer-Air Filter	883	★∅691880	Gasket-Exhaust	1095	498525	Gasket Set-Valve
674	691108	Screw (Fuel Tank Bracket)	930	691348	Guard-Rewind	1194	★691876	Seal-O Ring (Plug)
676	692010	Deflector-Muffler	930A	691330	Guard-Rewind	1210	499901	Pulley/Spring Assembly (Pulley)
678A	490817	Spacer-Rewind	930B	690601	Guard-Rewind	1211	499901	Pulley/Spring Assembly (Spring)
689	691855	Spring-Friction	957	493988	Cap-Fuel Tank	1330	270962	Repair Manual
692	690572	Spring-Detent	958	698181	Valve-Fuel Shut Off			
718	690959	Pin-Locating (Cylinder)	967	492889	Filter-Pre Cleaner			
718A	499047	Pin-Locating (Crankshaft)	968	691327	Cover-Air Cleaner Screw			
741	791124	Gear-Timing (Non Ball Bearing Crankshafts)	971	690370	(Air Cleaner Base to Carburetor)			
741A	691805	Gear-Timing (Ball Bearing Crankshafts)	972	690852	Tank-Fuel			
770	690098	Kit-Rewind/Blower Housing	975	493640	Bowl-Float			
770A	690102	Kit-Rewind/Blower Housing Used On Type No(s). 0136, 0139, 0153, 0636.	977	498261	Gasket Set-Carburetor			
770B		Kit-Rewind/Blower Housing (12 O'Clock) (For Replacement Rewind Starter See Ref 770)	994	690813	Arrestor-Spark			
			1019	496905	Kit-Label Label-Emissions (Available from Authorized Briggs & Stratton Service Dealer)			
			1036					

★ Engine Gasket Set-Reference 358
● Carburetor Overhaul Kit-Reference 121

◆ Carburetor Gasket Set-Reference 977
∅ Valve Gasket Set-Reference 1095