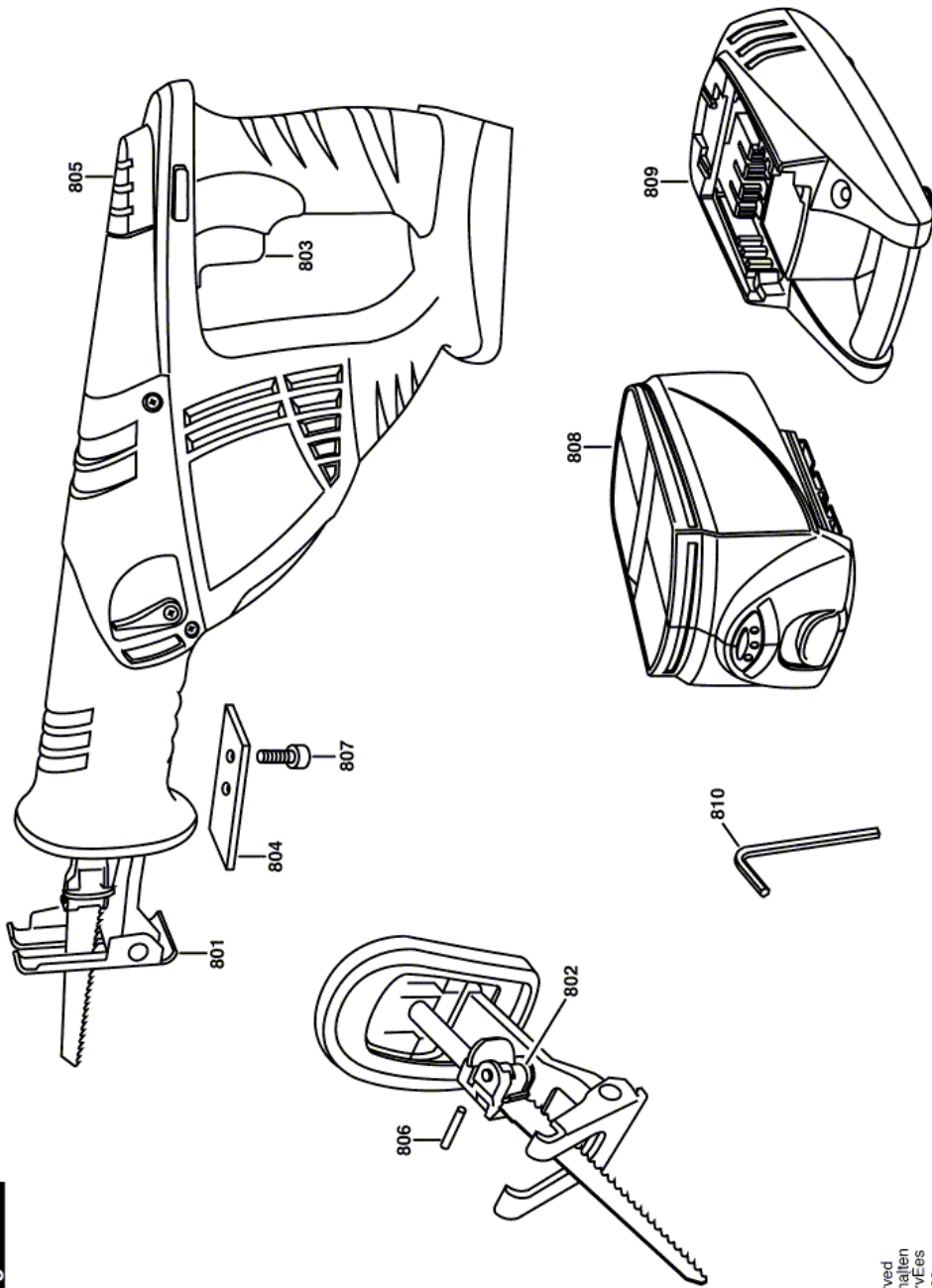


05.08.2015 |

## Reciprocating saw - F 012 935 000 - 9350

Item	Part Number	Description	Illustration	Price	Quantity	Price Group
801	2 610 920 512	Base	1	-,-	1	-
802	2 610 920 513	Blade Holder	1	-,-	1	-
803	2 610 920 514	On-Off Switch	1	-,-	1	-
804	2 610 920 515	Plate	1	-,-	1	-
805	2 610 920 516	Container	1	-,-	1	-
806	2 610 920 517	Bolt	1	-,-	1	-
807	2 910 145 154	Screw DIN 912-M5x12-8.8	1	-,-	1	-
808	2 607 335 545	Slide-In Accu Package 18V, 1,2Ah, NiCd	1	-,-	2	44
809	1 619 X07 585	Charger 120/18V, NiCd	1	-,-	1	-
810	2 607 950 004	Offset Screwdriver DIN 911-4	1	-,-	1	11

Illustration - Type E



F012 935 000  
Issue | 03-09-22  
Stand | **Fig./Abb. 1**

Modifications reserved  
Änderungen vorbehalten  
Modificacions resERvEes  
Salvo modificaciones

Information subject to change without further notice.